

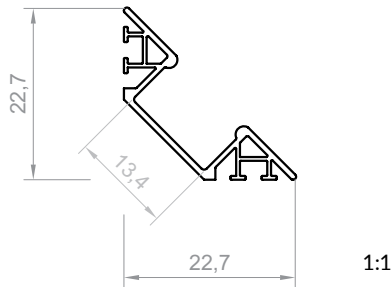


P7-1

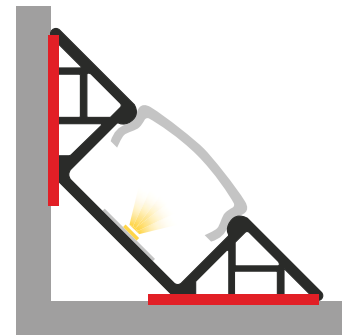
Product code: 867102
EAN code: 5904996207298

PROFILE TYPE	LED TAPE WIDTH
corner	up to 12 mm
COLOUR VERSIONS	LENGTH
silver anodised	1000 mm
painted in white	2000 mm
painted in gold	3000 mm
painted in black	4000-6000 mm
anthracite grey	(on demand)
others - on demand	

TECHNICAL DRAWING WITH DIMENSIONS

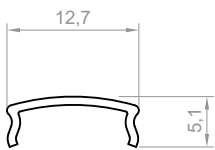
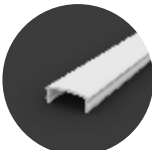
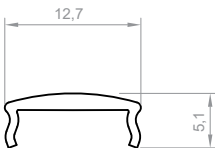

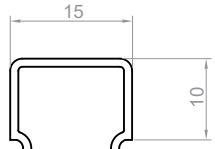

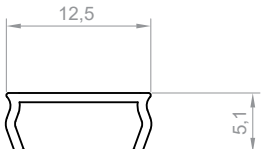





INSTALLATION INSTRUCTIONS

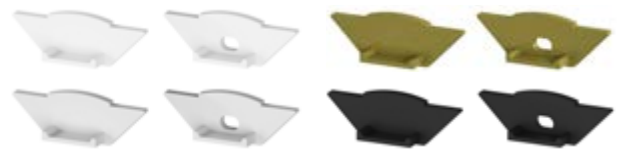


 glue

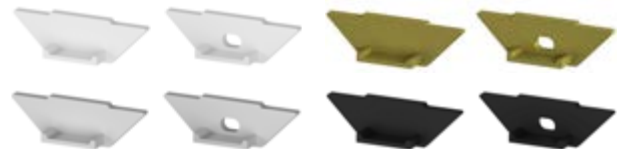
COVERS (CLICK-FIT)

C1			<input type="radio"/> <input type="radio"/> <input type="radio"/> <input type="radio"/>
C4			<input type="radio"/>
C11			<input type="radio"/> <input type="radio"/> <input type="radio"/> <input type="radio"/>
C13			<input type="radio"/> <input type="radio"/> <input type="radio"/> <input checked="" type="radio"/>
C22			<input type="radio"/>

END CAPS

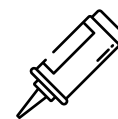


plastic end caps P7-1+C1/C4



plastic end caps P7-1+C13

INSTALLATION



glue

P7-1

