

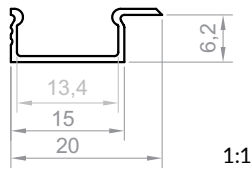


# P6-2.5

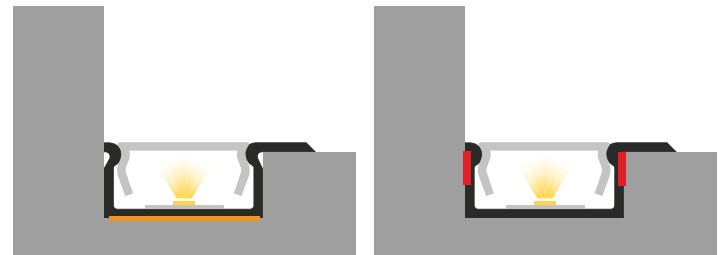
Product code: 86620502  
EAN code: 5904996213411

PROFILE TYPE	LED TAPE WIDTH
recessed	up to 12 mm
COLOUR VERSIONS	LENGTH
silver anodised painted in white painted in black anthracite grey others - on demand	1000 mm 2000 mm 3000 mm 4000-6000 mm (on demand)

## TECHNICAL DRAWING WITH DIMENSIONS



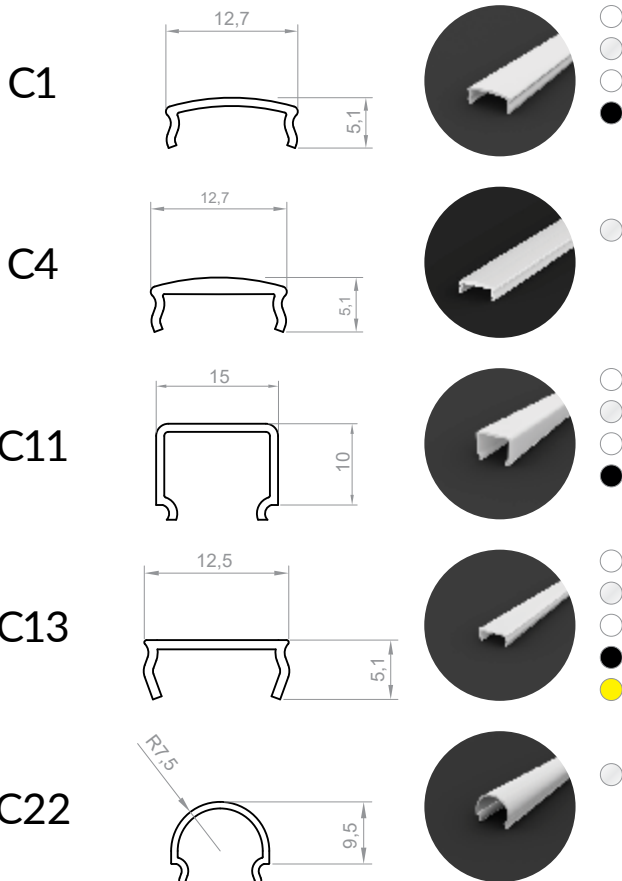
## INSTALLATION INSTRUCTIONS



TESA tape

glue

## COVERS (CLICK-FIT)



## END CAPS

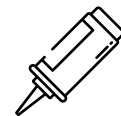


plastic end caps P6-2.5+C13

## INSTALLATION



assembly tape



glue

## P6-2.5

