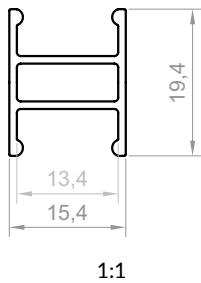


P4-10

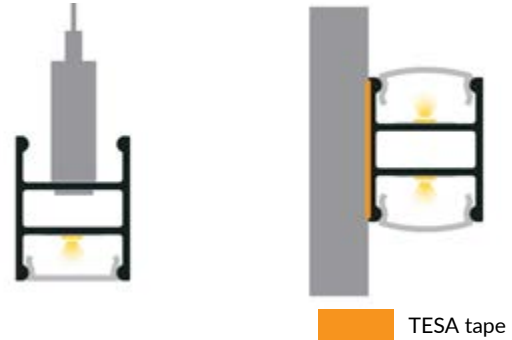
Product code: 8641002
EAN code: 5904996206345

PROFILE TYPE	LED TAPE WIDTH
surface	up to 12 mm
COLOUR VERSIONS	LENGTH
silver anodised	1000 mm
painted in white	2000 mm
painted in black	3000 mm
anthracite grey	4000-6000 mm
others - on demand	(on demand)

TECHNICAL DRAWING WITH DIMENSIONS

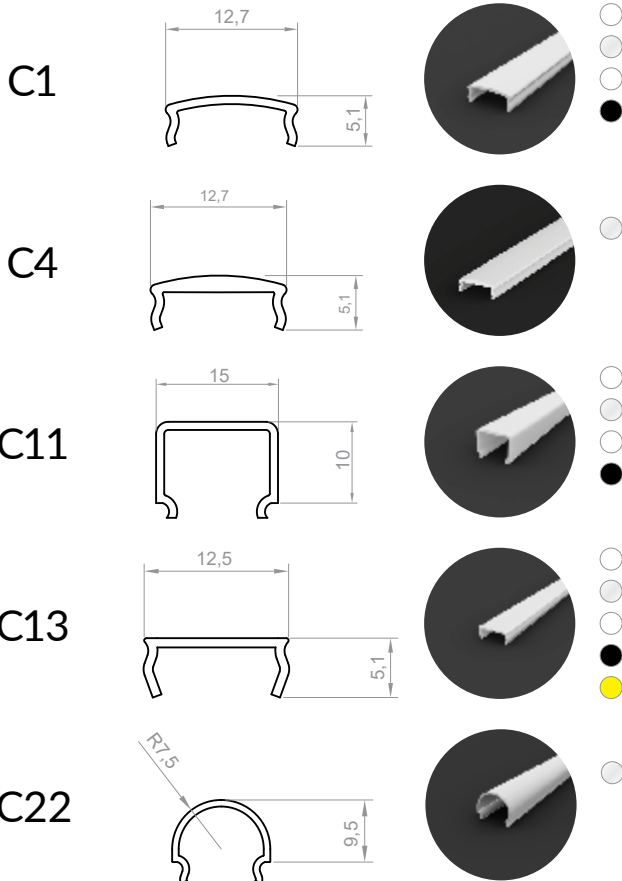


INSTALLATION INSTRUCTIONS

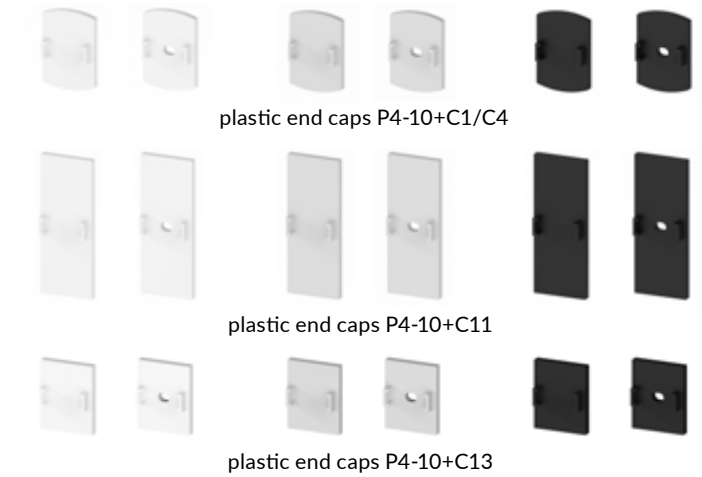


TESA tape

COVERS (CLICK-FIT)



END CAPS



INSTALLATION



P4-10

