

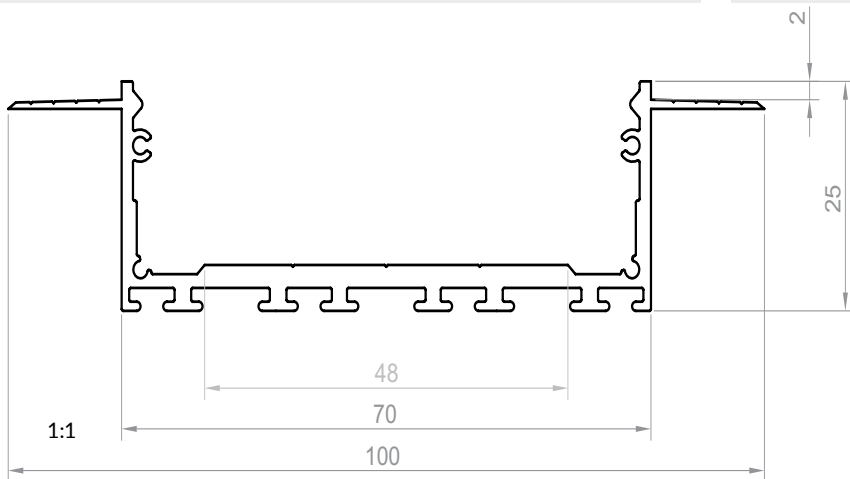


# P27-7

Product code: 8627702  
EAN code: 5904996209148

PROFILE TYPE	LED TAPE WIDTH
architectural	up to 6x8 mm up to 5x10 mm up to 4x12 mm
COLOUR VERSIONS	LENGTH
silver anodised painted in white painted in black anthracite grey others - on demand	1000 mm 2000 mm 3000 mm 4000-6000 mm (on demand)

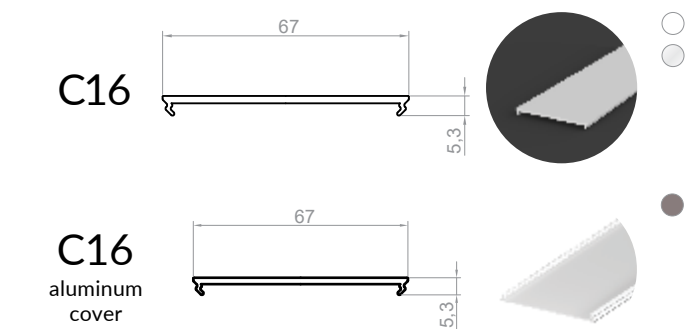
## TECHNICAL DRAWING WITH DIMENSIONS



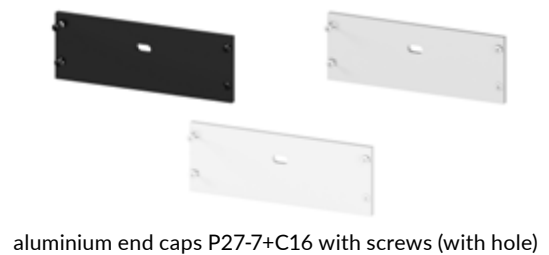
## INSTALLATION INSTRUCTIONS



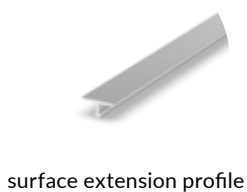
## COVERS (CLICK-FIT)



## END CAPS



## ACCESSORIES AND INSTALLATION



# P27-7

