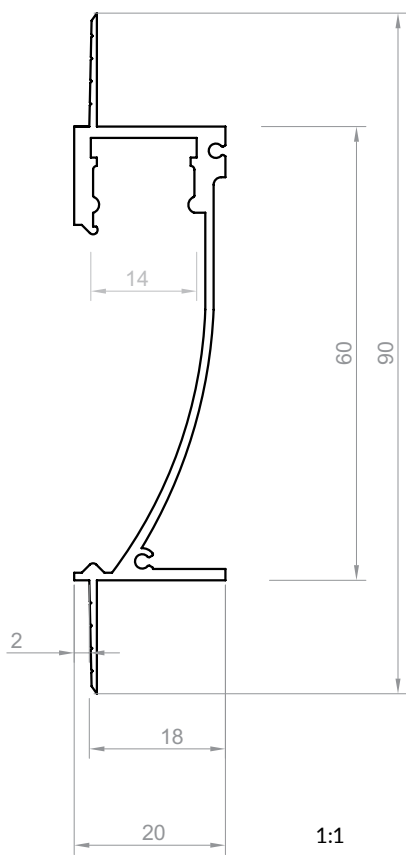


# P26-3

Product code: 8626302  
EAN code: 5904996213237

<b>PROFILE TYPE</b>	<b>LED TAPE WIDTH</b>
architectural	up to 12 mm
<b>COLOUR VERSIONS</b>	<b>LENGTH</b>
silver anodised painted in white painted in black anthracite grey others - on demand	1000 mm 2000 mm 3000 mm 4000-6000 mm (on demand)

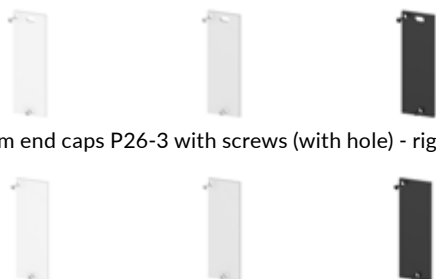
### TECHNICAL DRAWING WITH DIMENSIONS



### INSTALLATION INSTRUCTIONS



### END CAPS



aluminium end caps P26-3 with screws (with hole) - right and left

aluminium end caps P26-3 with screws (without hole) - right and left

### COVERS (CLICK-FIT)

<b>C1</b>		
<b>C4</b>		
<b>C6</b>		
<b>C6</b> aluminum cover		
<b>C13</b>		

# P26-3

