

# P26-1

Product code: 8626102  
 EAN code: 5904996205744

## PROFILE TYPE

architectural

## LED TAPE WIDTH

up to 12 mm

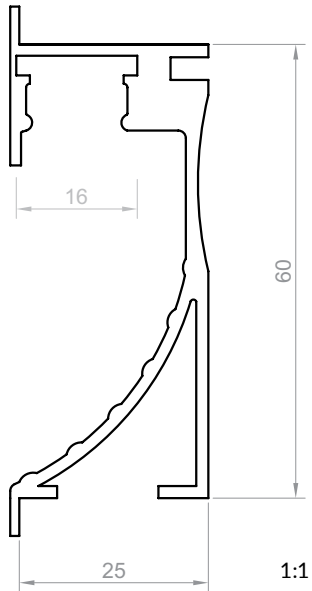
## COLOUR VERSIONS

silver anodised  
 painted in white  
 painted in black  
 anthracite grey  
 others - on demand

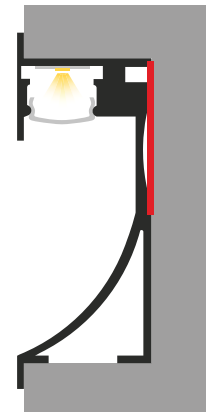
## LENGTH

1000 mm  
 2000 mm  
 3000 mm  
 4000-6000 mm  
 (on demand)

## TECHNICAL DRAWING WITH DIMENSIONS

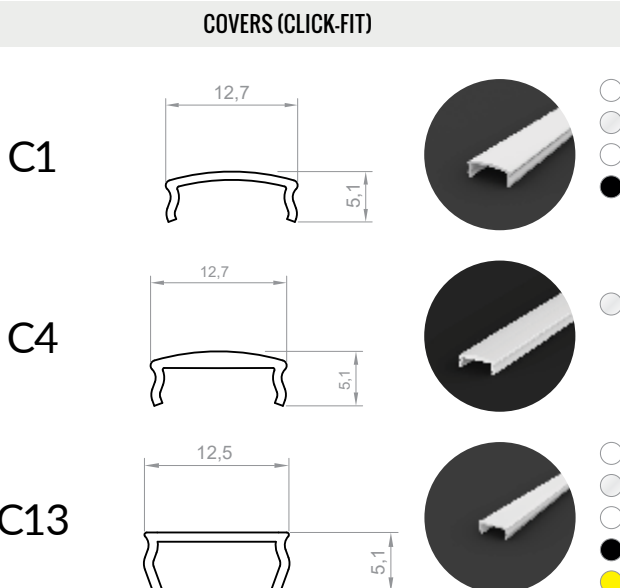


## INSTALLATION INSTRUCTIONS



 glue

## END CAPS



## INSTALLATION



glue

# P26-1

