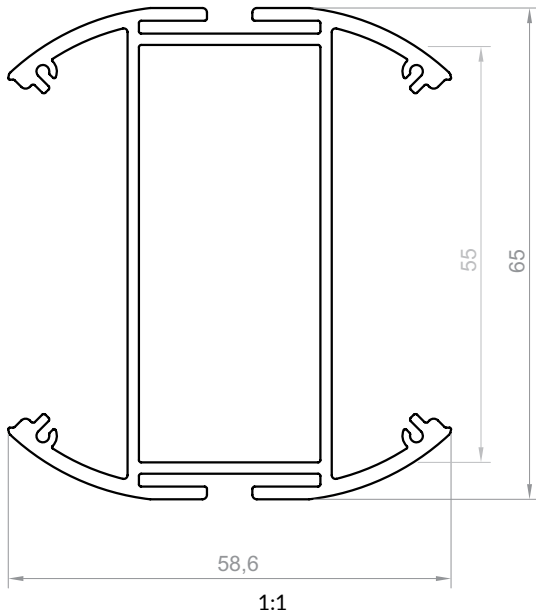


P23-8

Product code: 8623802
EAN code: 5904996211899

PROFILE TYPE	LED TAPE WIDTH
suspended	up to 12 mm
COLOUR VERSIONS	LENGTH
silver anodised painted in white painted in black anthracite grey others - on demand	1000 mm 2000 mm 3000 mm 4000-6000 mm (on demand)

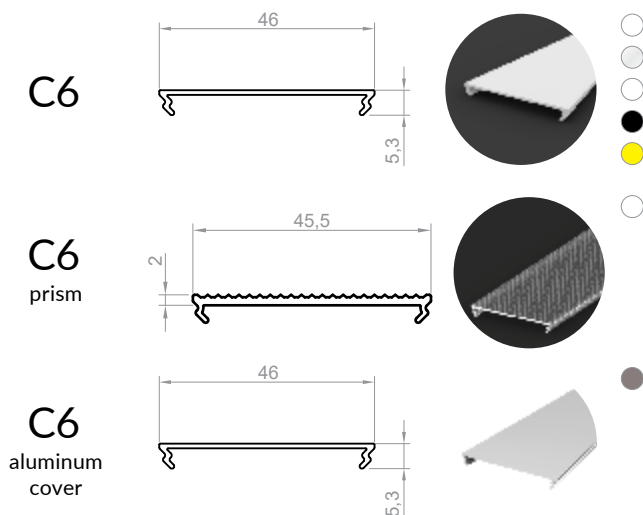
TECHNICAL DRAWING WITH DIMENSIONS



INSTALLATION INSTRUCTIONS



COVERS (CLICK-FIT)



END CAPS



aluminium end caps P23-8+C6 with screws

INSTALLATION



P23-8

