

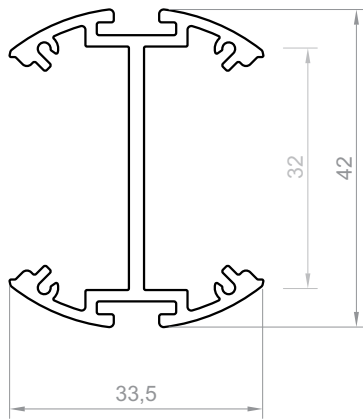


P22-8

Product code: 8622802
EAN code: 5904996211776

PROFILE TYPE	LED TAPE WIDTH
suspended	up to 12 mm
COLOUR VERSIONS	LENGTH
silver anodised painted in white painted in black anthracite grey others - on demand	1000 mm 2000 mm 3000 mm 4000-6000 mm (on demand)

TECHNICAL DRAWING WITH DIMENSIONS



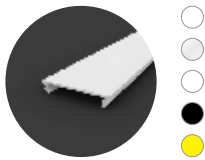
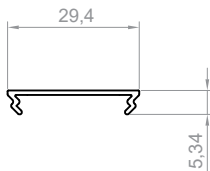
1:1

INSTALLATION INSTRUCTIONS



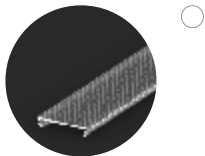
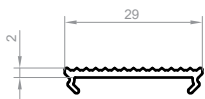
COVERS (CLICK-FIT)

C7



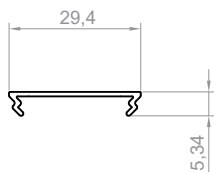
C7

prism



C7

aluminum cover



END CAPS



aluminium end caps P22-8+C7 with screws

INSTALLATION



black

silver

white

suspension cords

P22-8

