



P17-4

Product code: 8617402
 EAN code: 5904996208639

PROFILE TYPE

recessed

LED TAPE WIDTH

up to 12 mm

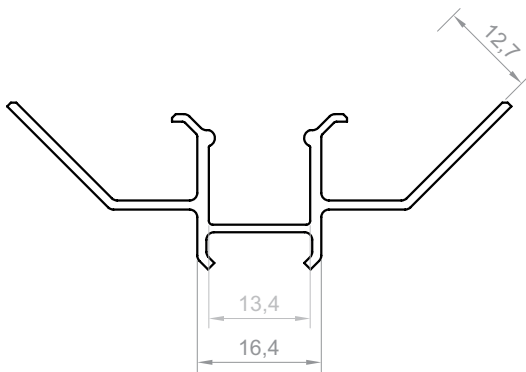
COLOUR VERSIONS

silver anodised
 painted in white
 painted in black
 anthracite grey
 others - on demand

LENGTH

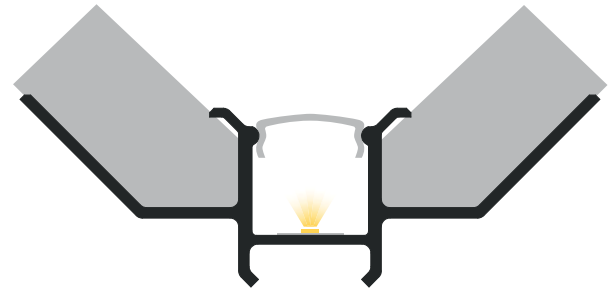
1000 mm
 2000 mm
 3000-6000 mm
 (on demand)

TECHNICAL DRAWING WITH DIMENSIONS



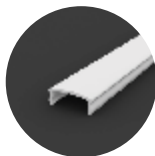
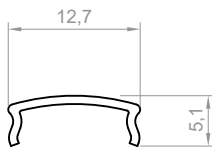
1:1

INSTALLATION INSTRUCTIONS

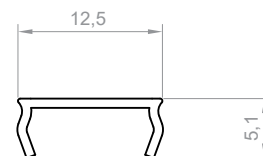


COVERS (CLICK-FIT)

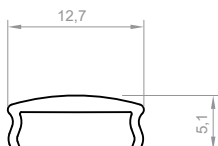
C1



C13



C4



P17-4

