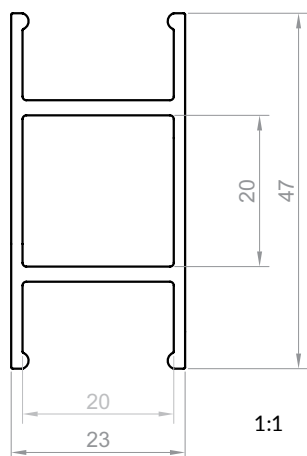


# P13-10

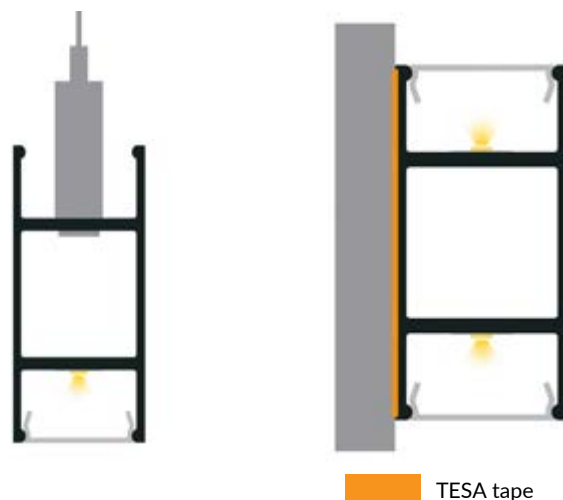
Product code: 86131002  
EAN code: 5904996208554

PROFILE TYPE	LED TAPE WIDTH
surface	up to 2x8 mm up to 1x12 mm
COLOUR VERSIONS	LENGTH
silver anodised painted in white painted in black anthracite grey others - on demand	1000 mm 2000 mm 3000 mm 4000-6000 mm (on demand)

## TECHNICAL DRAWING WITH DIMENSIONS

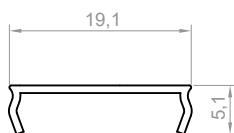


## INSTALLATION INSTRUCTIONS



## COVERS (CLICK-FIT)

C15



## END CAPS



plastic end caps P13-10+C15

## INSTALLATION

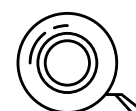


black

silver

white

suspension cords



assembly tape

# P13-10

