

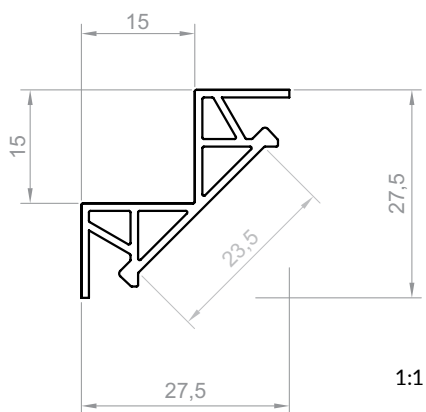


# P12-1

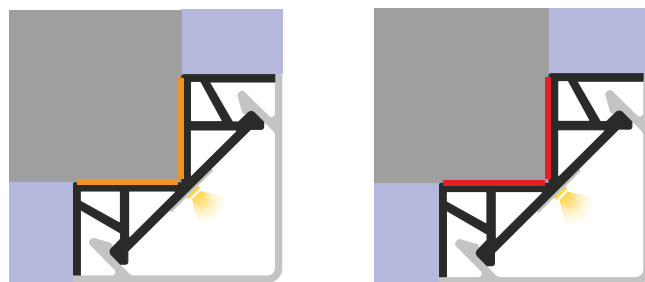
Product code: 8612102  
EAN code: 5904996203771

<b>PROFILE TYPE</b>	<b>LED TAPE WIDTH</b>
corner	up to 3x8 mm up to 2x12 mm
<b>COLOUR VERSIONS</b>	<b>LENGTH</b>
silver anodised painted in white painted in black anthracite grey others - on demand	1000 mm 2000 mm 3000 mm 4000-6000 mm (on demand)

## TECHNICAL DRAWING WITH DIMENSIONS



## INSTALLATION INSTRUCTIONS



 TESA tape

 glue

## COVERS (CLICK-FIT)

C12



## END CAPS



aluminium end caps P12-1+C12 with screws

## INSTALLATION



assembly tape



glue

# P12-1

