



# P10-6

Product code: 8610602  
EAN code: 5904996214517

## PROFILE TYPE

glass

## LED TAPE WIDTH

up to 12 mm

## COLOUR VERSIONS

silver anodised  
painted in white  
painted in black  
anthracite grey  
others - on demand

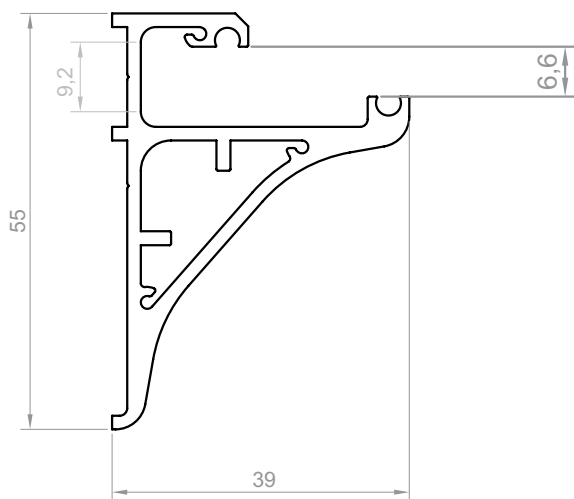
## LENGTH

1000 mm  
2000 mm  
3000 mm  
4000-6000 mm  
(on demand)

## FITS GLASS THICKNESSES

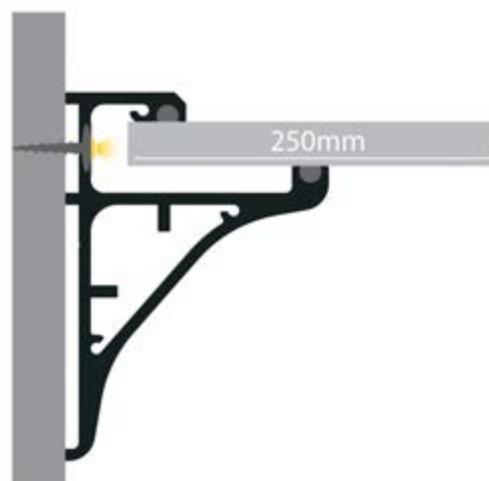
6 mm

## TECHNICAL DRAWING WITH DIMENSIONS



1:1

## INSTALLATION INSTRUCTIONS



## END CAPS



aluminium end caps P10-6 with screws

# P10-6

