



P10-1

Product code: 8610102
EAN code: 5904996203498

PROFILE TYPE

glass

LED TAPE WIDTH

up to 12 mm

COLOUR VERSIONS

silver anodised
painted in white
painted in black
anthracite grey
others - on demand

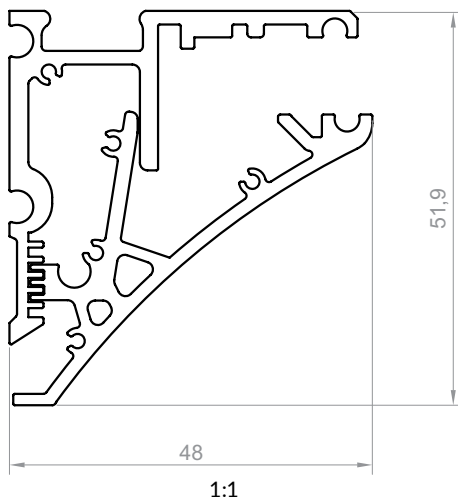
LENGTH

1000 mm
2000 mm
3000-6000 mm
(on demand)

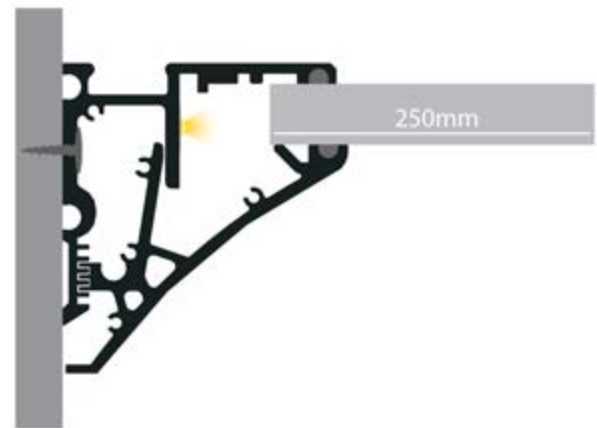
FITS GLASS THICKNESSES

6 mm
8 mm
10 mm

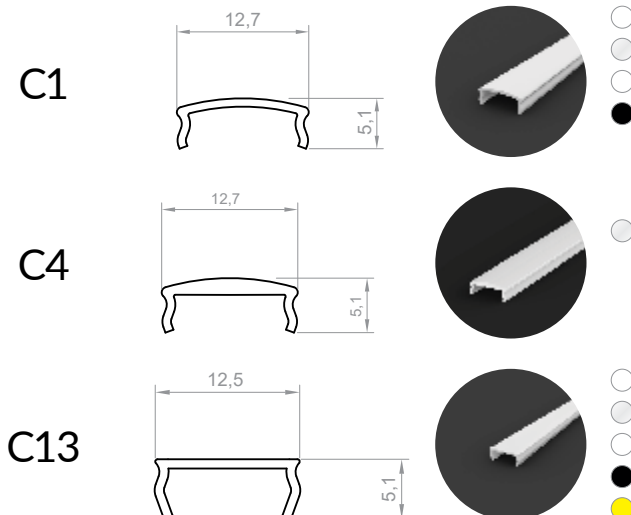
TECHNICAL DRAWING WITH DIMENSIONS



INSTALLATION INSTRUCTIONS



COVERS (CLICK-FIT)



END CAPS



plastic end caps P10-1+C13

P10-1

