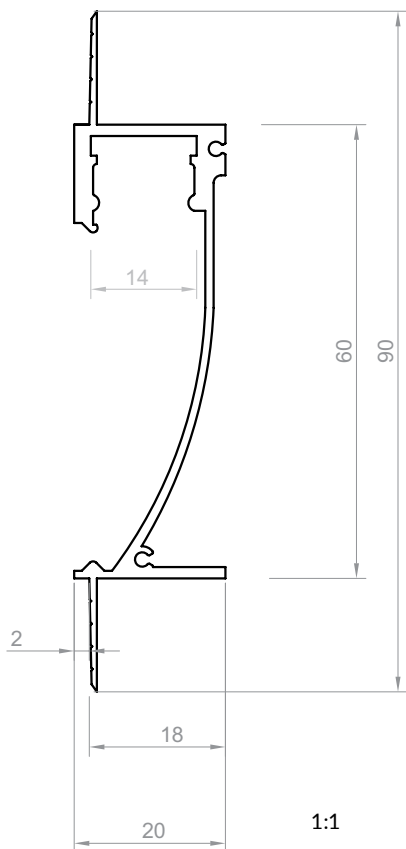


GK26-3

Product code: 9626302
EAN code: 5904996213329

PROFILE TYPE	LED TAPE WIDTH
recessed	up to 12 mm
COLOUR VERSIONS	LENGTH
silver anodised	1000 mm
painted in white	2000 mm
painted in black	3000 mm
anthracite grey	4000-6000 mm
others - on demand	(on demand)

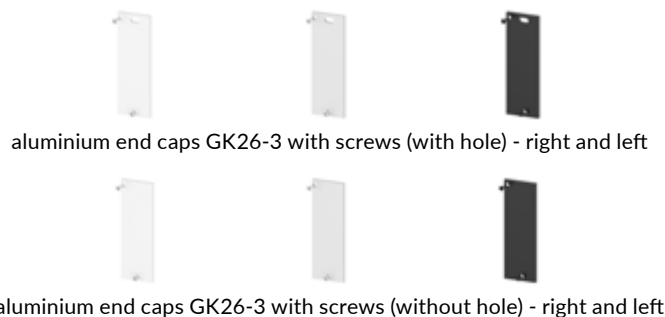
TECHNICAL DRAWING WITH DIMENSIONS



INSTALLATION INSTRUCTIONS



END CAPS



COVERS (CLICK-FIT)

