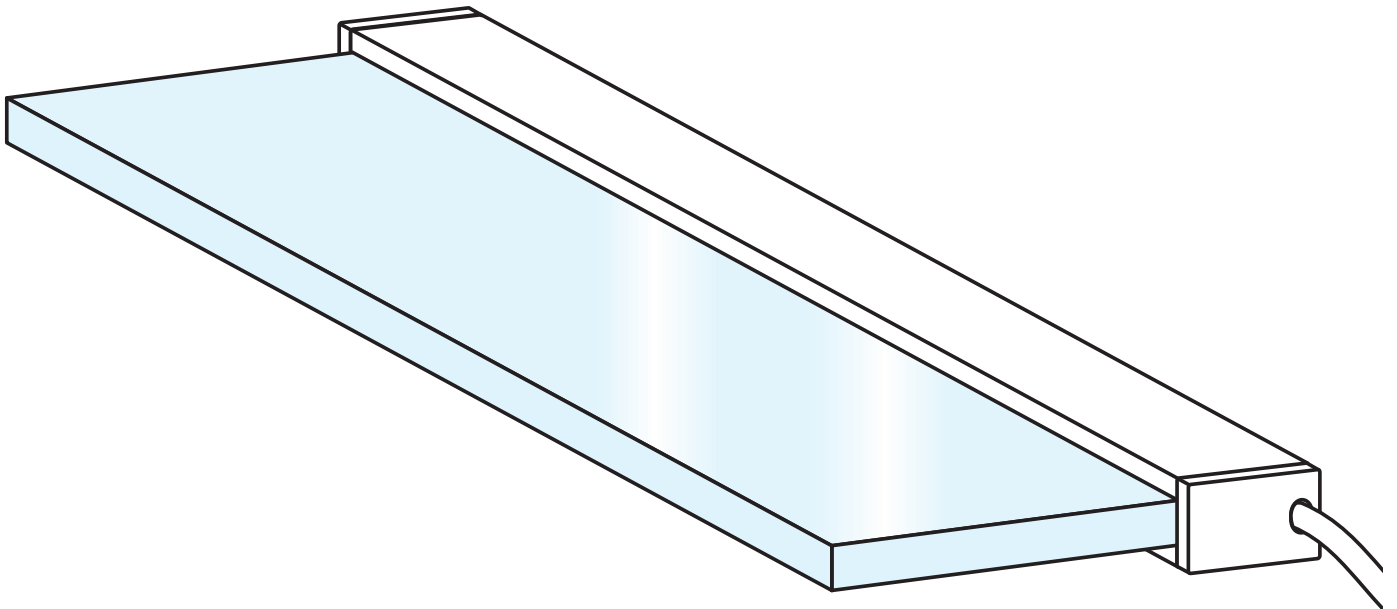




TECH<sup>®</sup>  
LIGHT

# INSTALLATION INSTRUCTIONS

standard glass profile



---

# P10-3

---

# CONTENTS

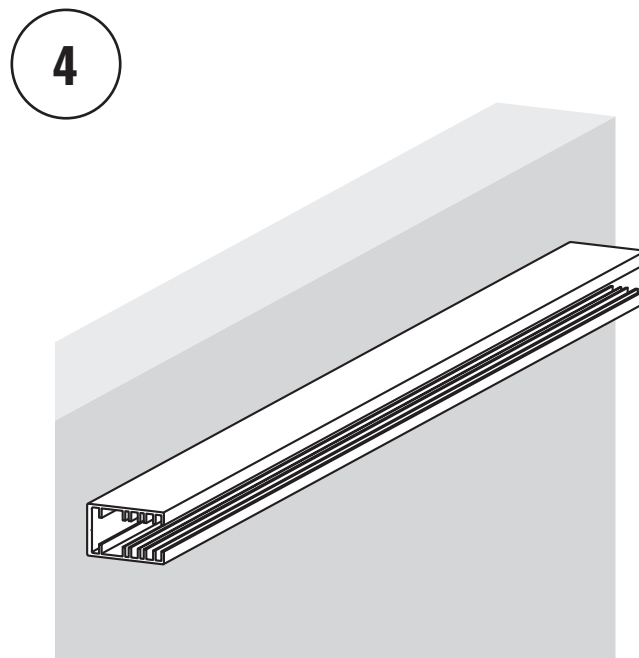
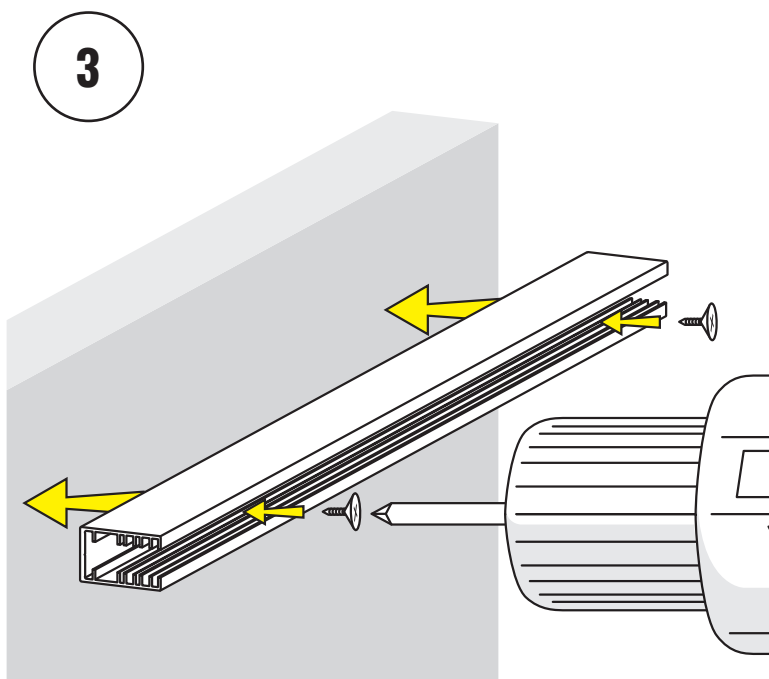
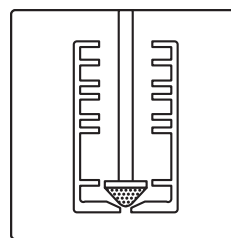
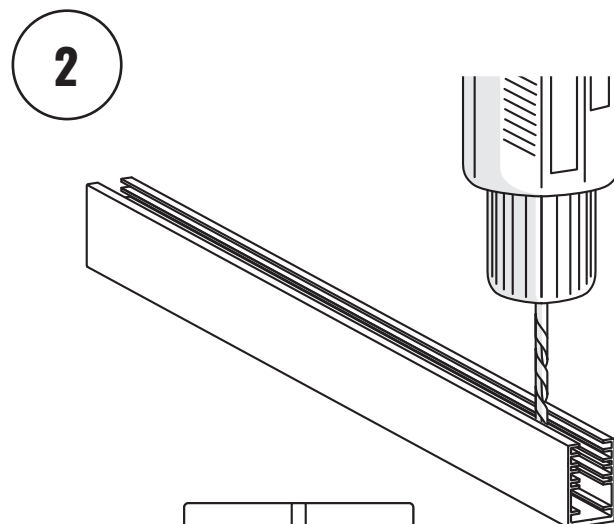
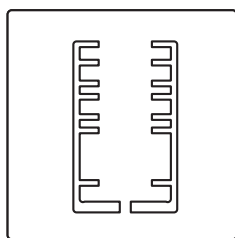
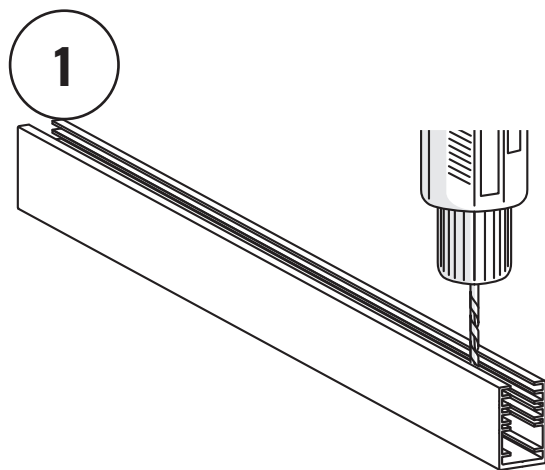
PROFILE INSTALLATION WITH SCREWS.....	3
LED TAPE INSTALLATION THROUGH ENDCAP.....	4
LED TAPE INSTALLATION THROUGH PROFILE.....	5
GLASS INSTALLATION.....	6
ENDCAPS INSTALLATION.....	7
COMPLETE SET .....	8
PRECAUTIONS.....	9

### Attention!

The profile shown in the instructions may differ in appearance from the actual product. However, the installation method remains the same.

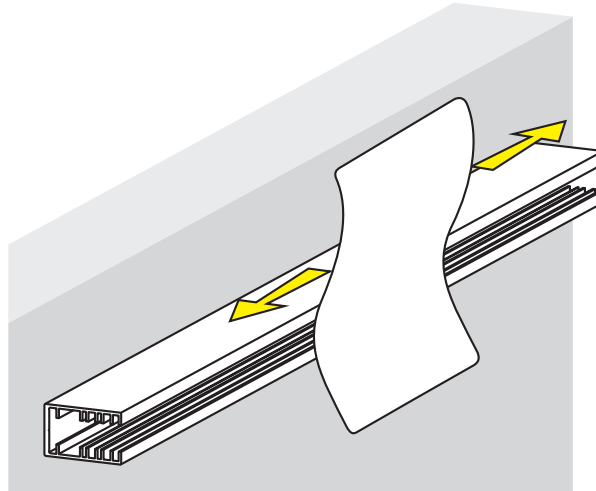
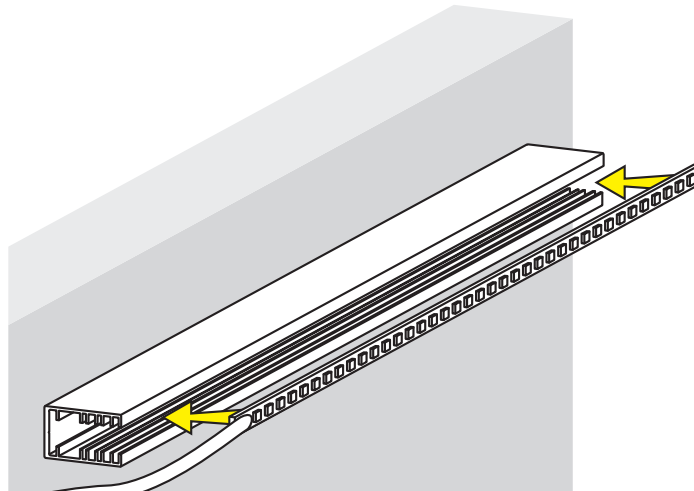
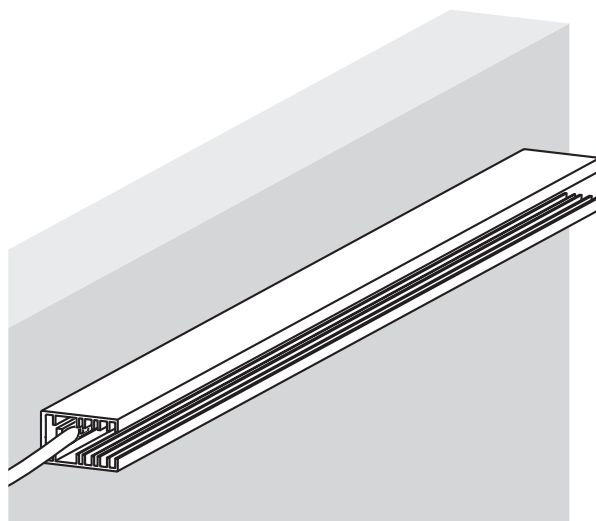
All profiles and covers have been manufactured with a positive tolerance.  
They must be cut to the required length before installation.

## PROFILE INSTALLATION WITH SCREWS



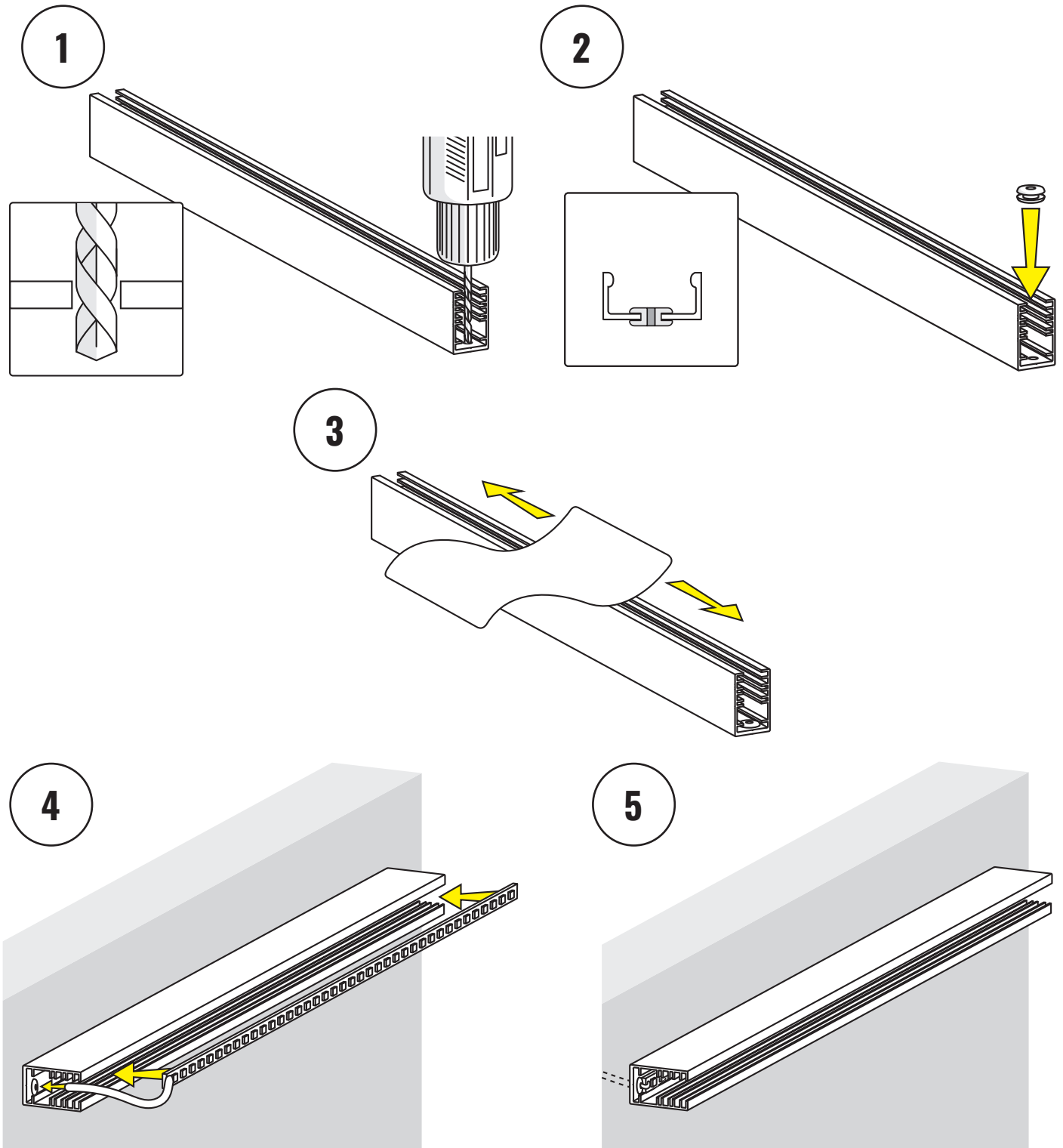
1. Drill holes for the screws
2. Countersink the hole so the screw fits flush against the profile
3. Screw in the profile
4. The profile is screwed in

## LED TAPE INSTALLATION THROUGH ENDCAP

**1****2****3**

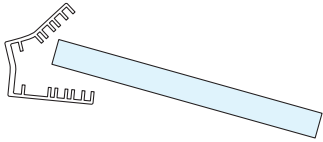
1. Clean the profile interior of dust and debris
2. Attach the LED tape
3. The LED tape is installed

## LED TAPE INSTALLATION THROUGH PROFILE



1. Drill holes for the screws
2. Secure holes with rubber gaskets
3. Clean the profile interior of dust and debris
4. Attach the LED tapes and route the power cables through the profile
5. The LED tape is installed

## GLASS INSTALLATION



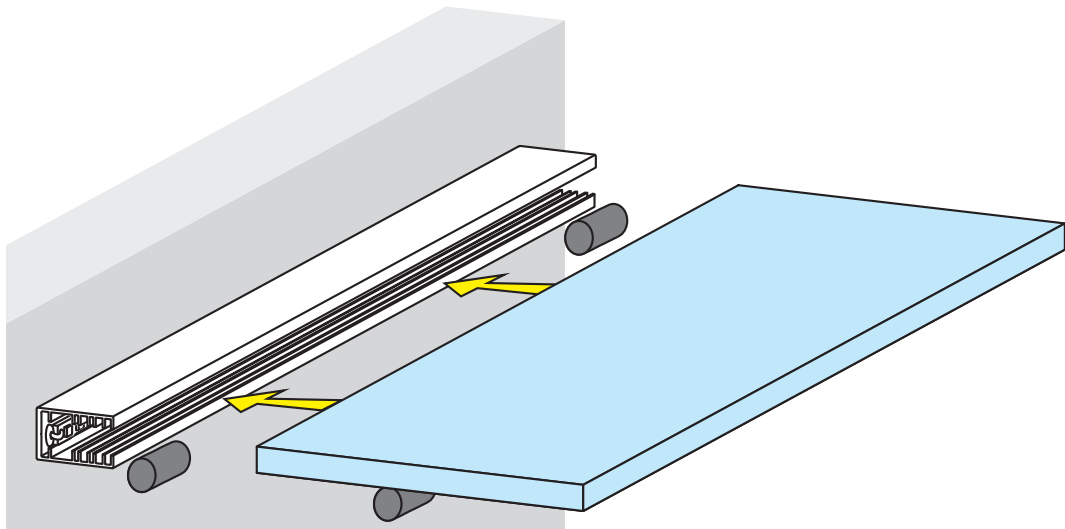
### WARNING!

The profile is not a structural/supporting element of the glass pane.

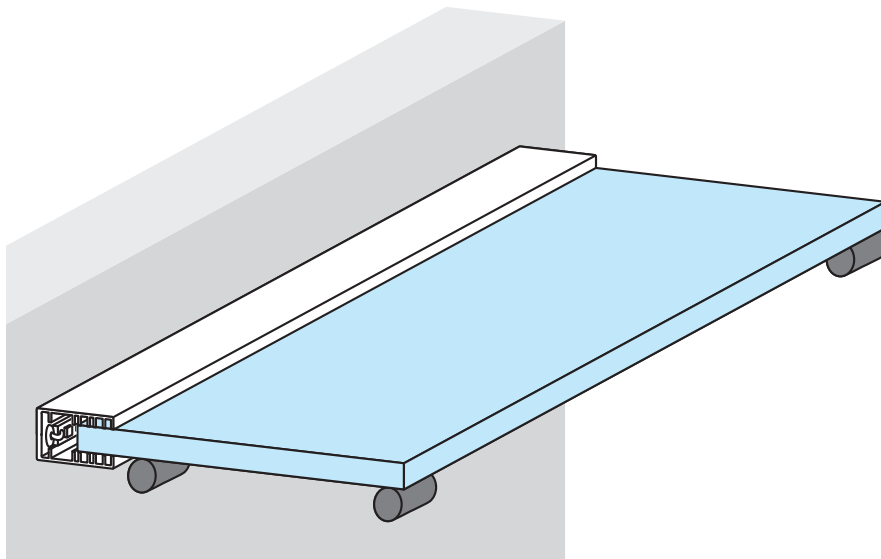
The profile is only a decorative element.

To support the glass, supports are needed, e.g. furniture dowels.

1

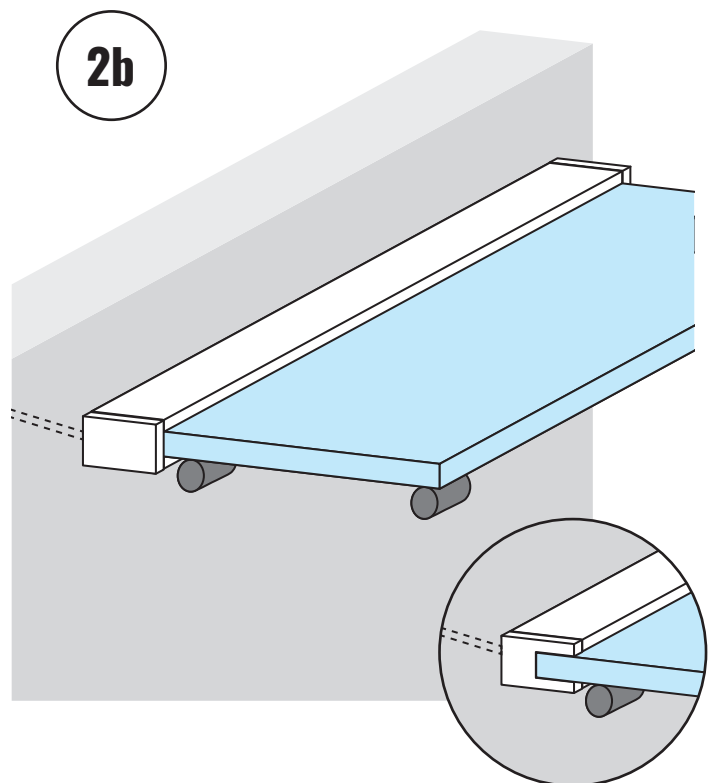
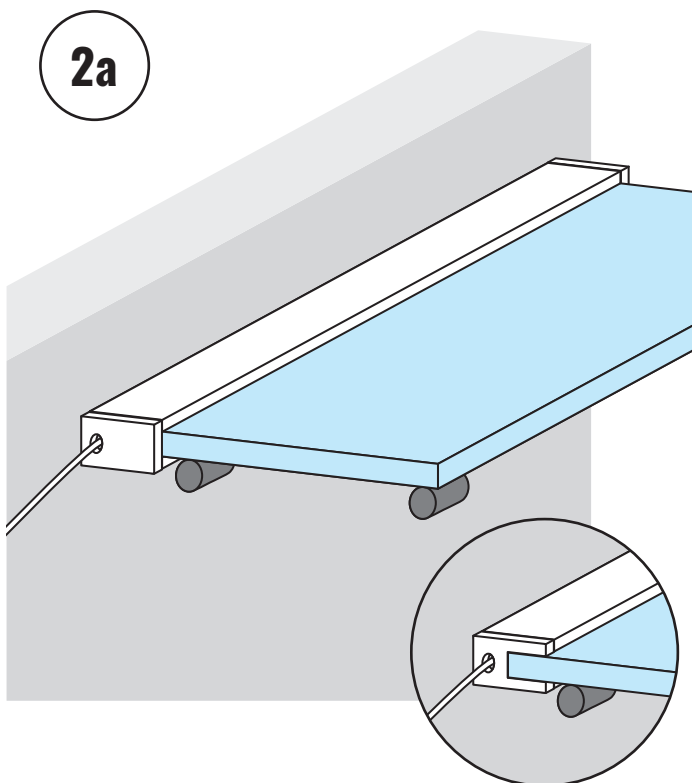
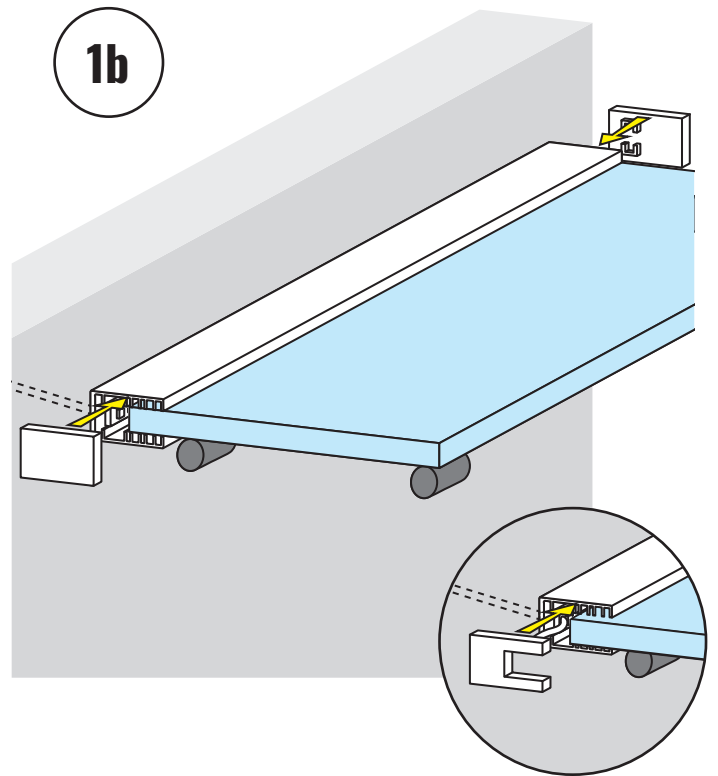
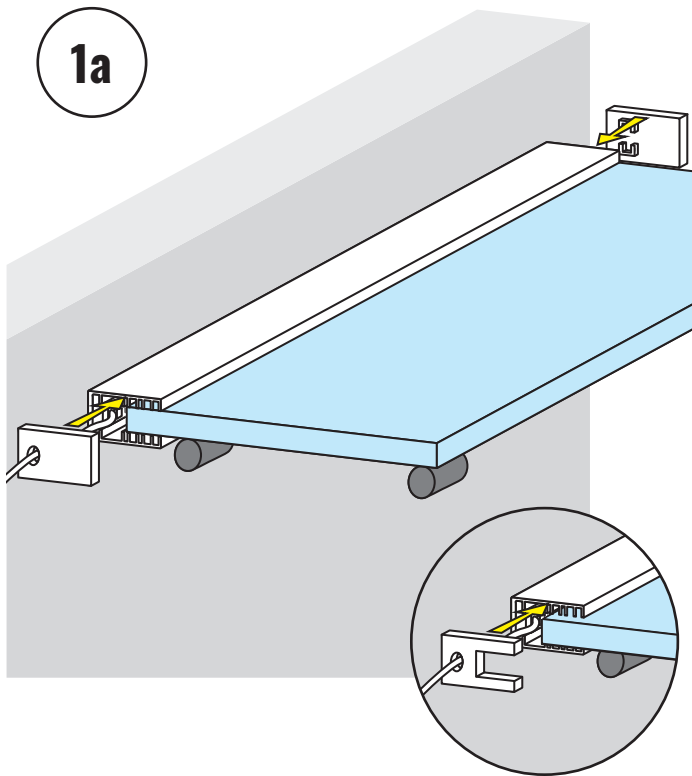


2



1. Position the glass pane evenly with the profile so that the weight of the glass DOES NOT rest on the profile
2. Glass is installed

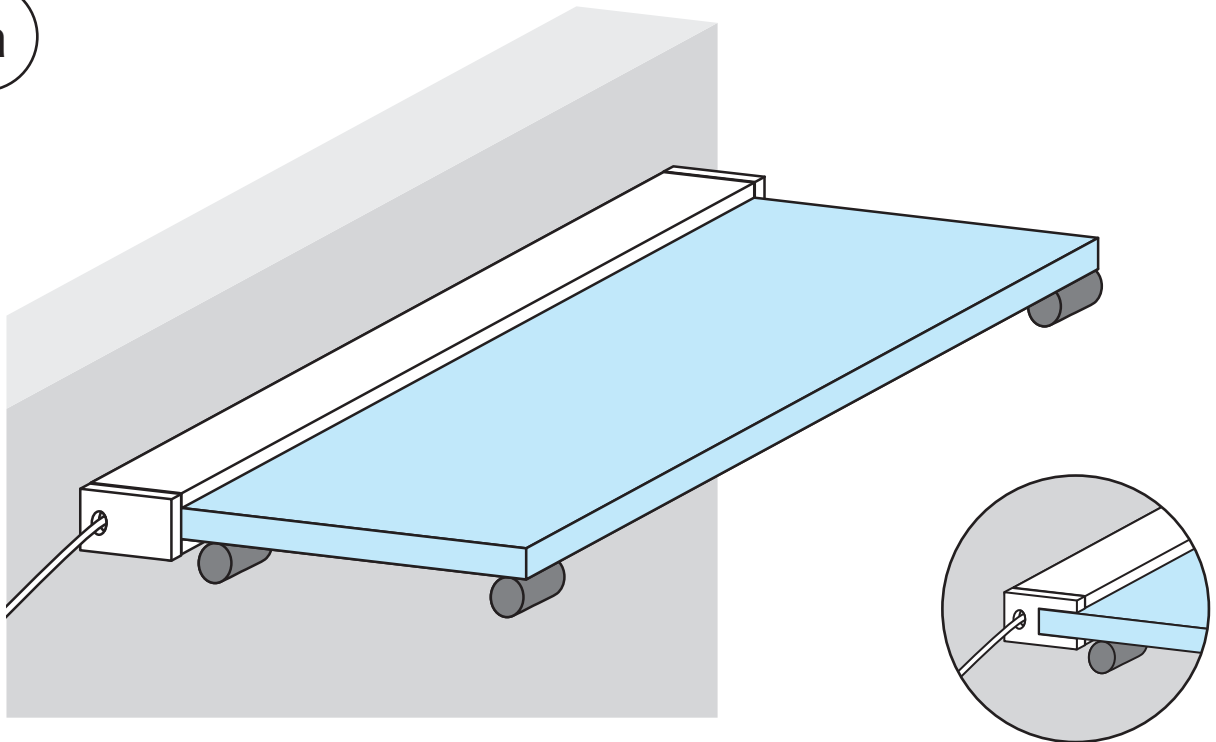
## ENDCAPS INSTALLATION



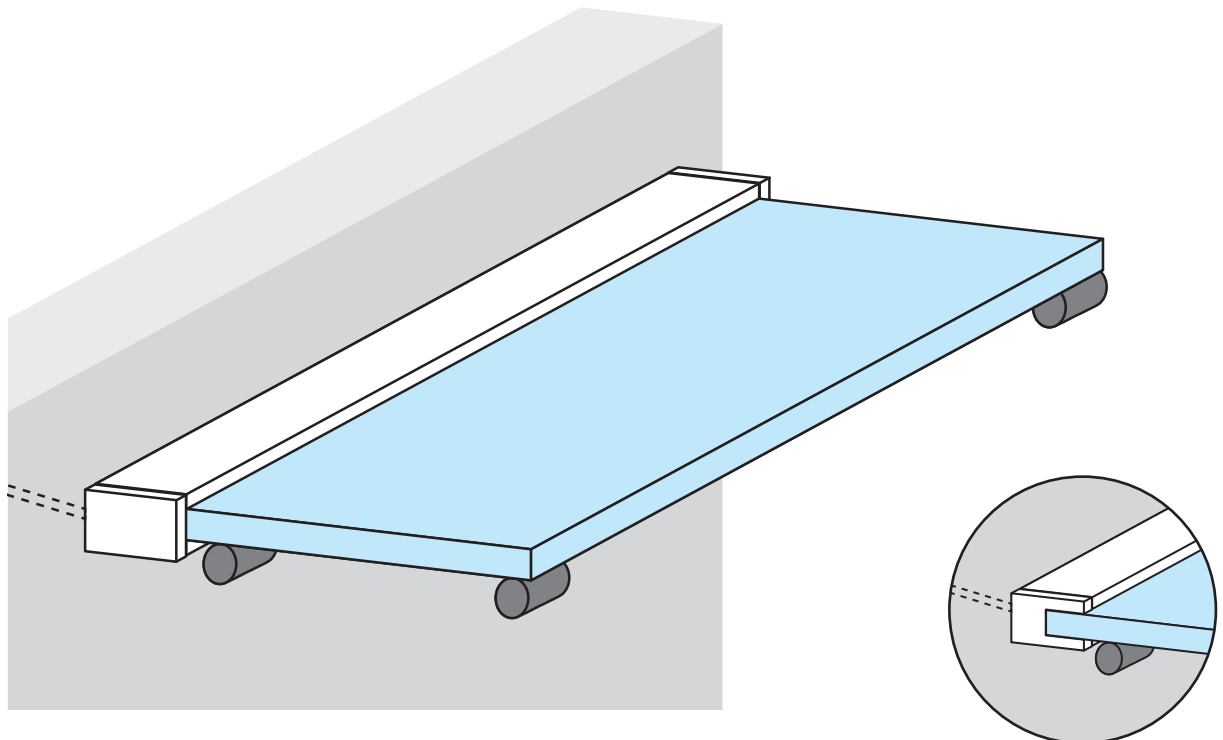
1. Install the endcaps
2. The endcaps are installed

# COMPLETE SET

**3a**



**3b**

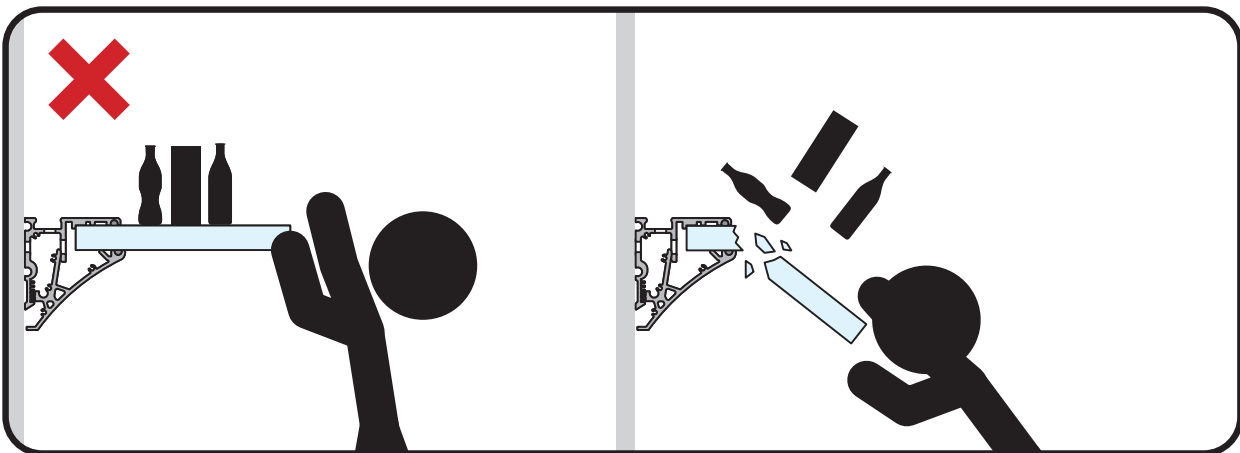
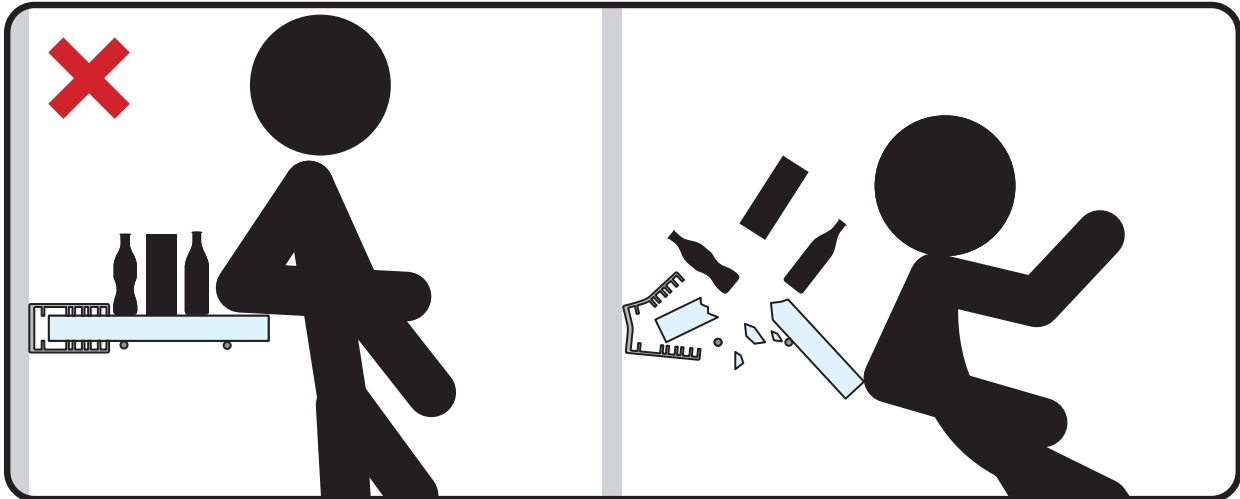


## PRECAUTIONS

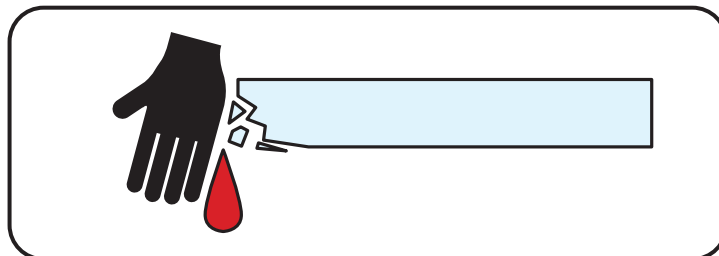
Warning!

The profile is not a structural/supporting element of the glass pane.

The profile is only a decorative element.



Do not lean on the shelf. Keep out of reach of children.



Do not install the shelf if the glass has cracks, chips, or other damage.

Under load, damaged glass may break and cause injury.

Tech Light Sp. z o.o., as a supplier of components, is not responsible for the proper installation and sealing of the LED fixture.