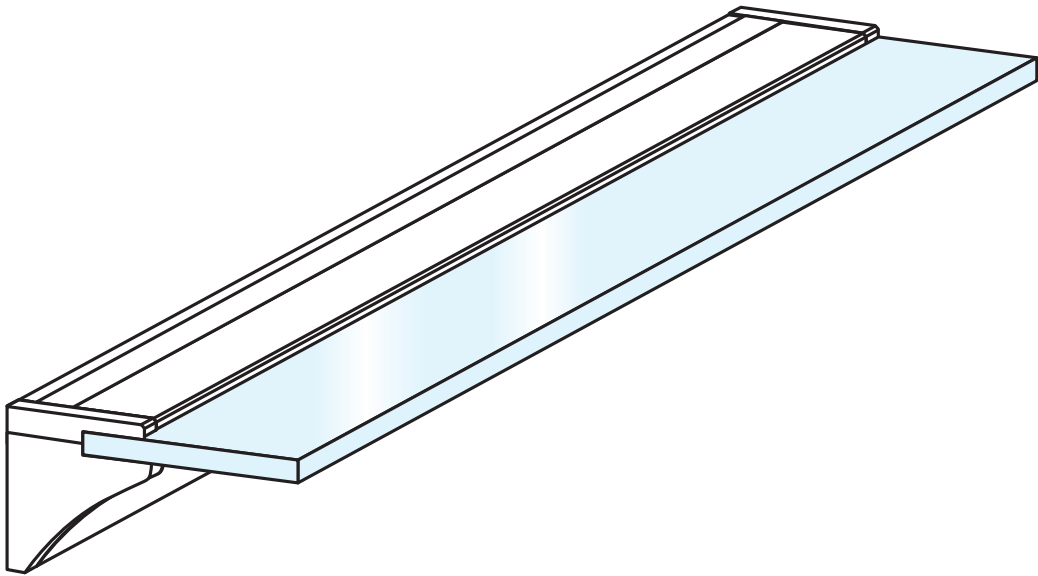




TECH<sup>®</sup>  
LIGHT

# INSTALLATION INSTRUCTIONS

standard glass profile



---

# P10-1

---

# CONTENTS

PROFILE PREPARATION .....	3
RUBBER GASKETS ASSEMBLY .....	4
UPPER PROFILE INSTALLATION ON SURFACE.....	5
LED TAPE INSTALLATION.....	6
COVER INSTALLATION .....	7
LOWER PROFILE INSTALLATION .....	8
GLASS INSTALLATION.....	9
ENDCAPS INSTALLATION.....	10
PRECAUTIONS.....	11

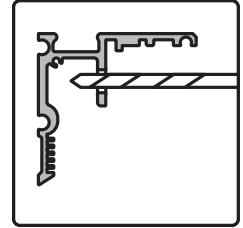
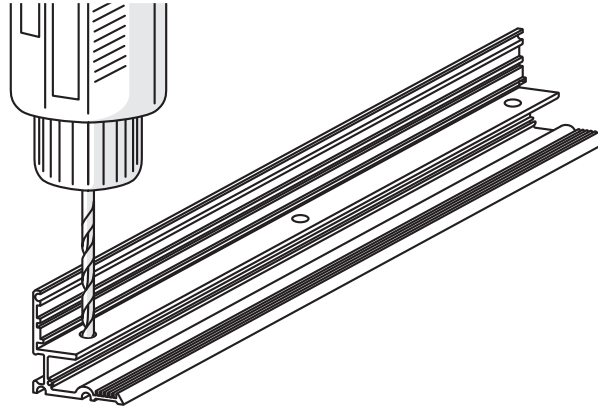
### Attention!

The profile shown in the instructions may differ in appearance from the actual product. However, the installation method remains the same.

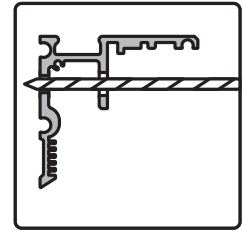
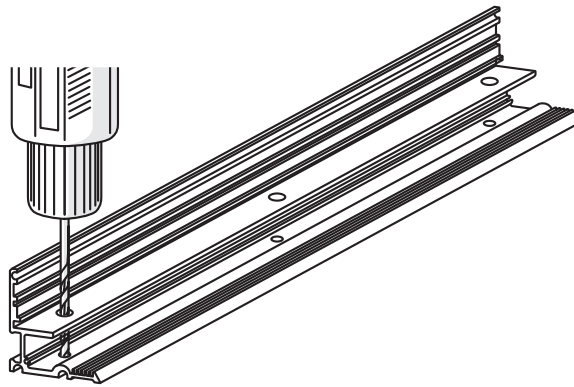
All profiles and covers have been manufactured with a positive tolerance.  
They must be cut to the required length before installation.

# PROFILE PREPARATION

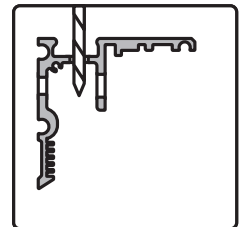
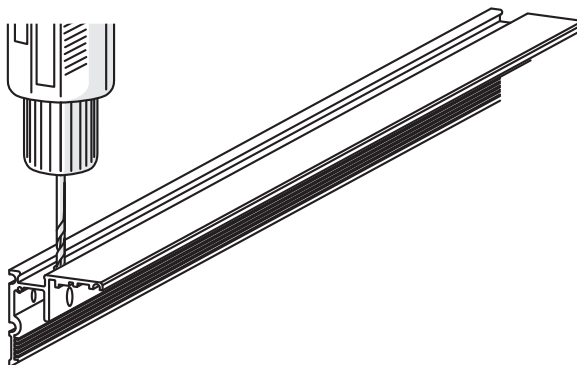
1



2



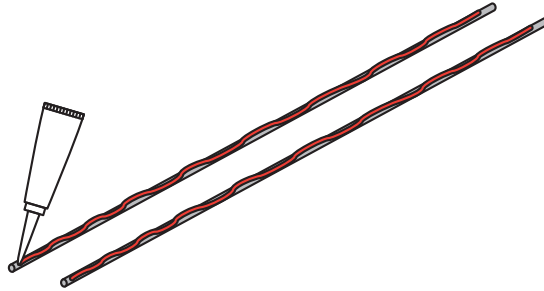
3



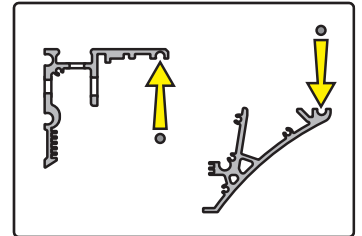
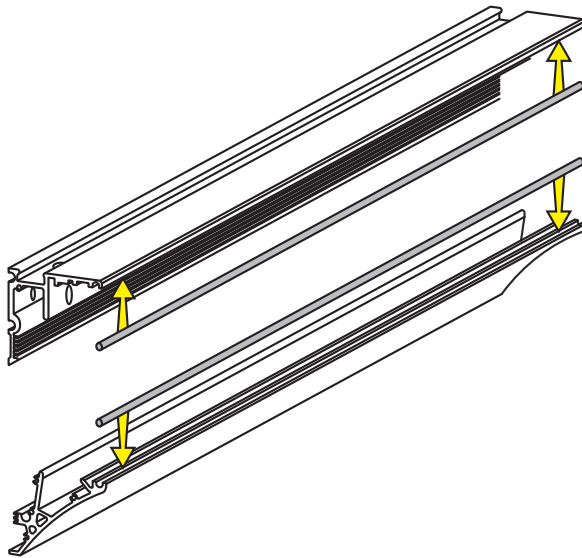
1. Drill holes for the screws and the power cable in the first layer of the profile
2. Drill holes in the second layer
3. Drill a hole for the power cable from the top of the profile

# RUBBER GASKETS ASSEMBLY

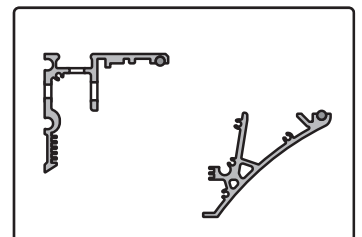
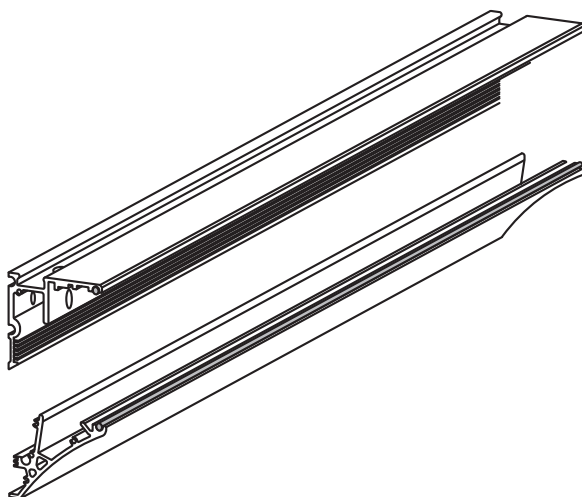
1



2

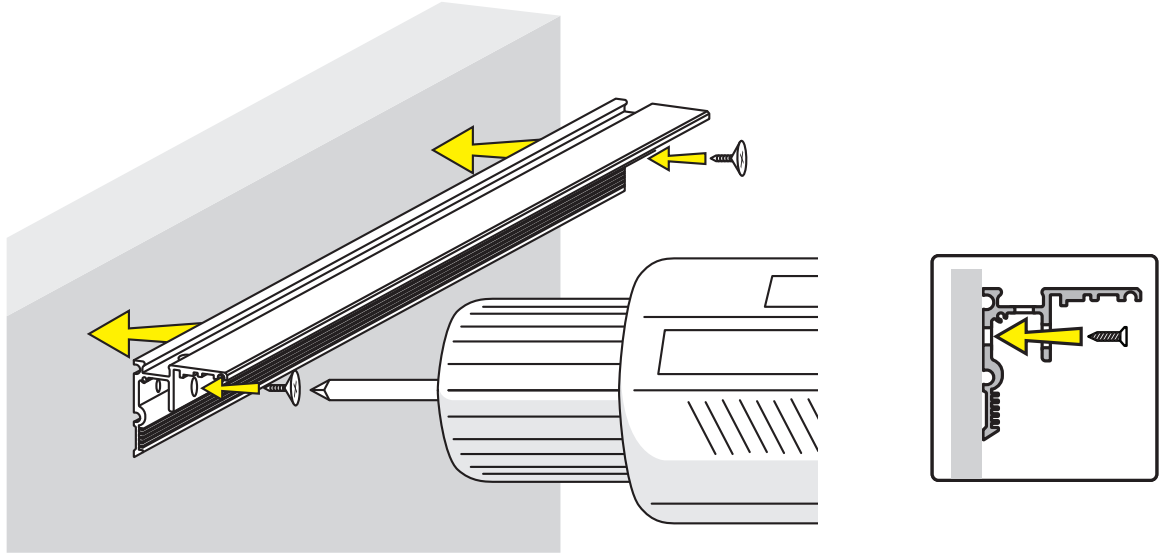
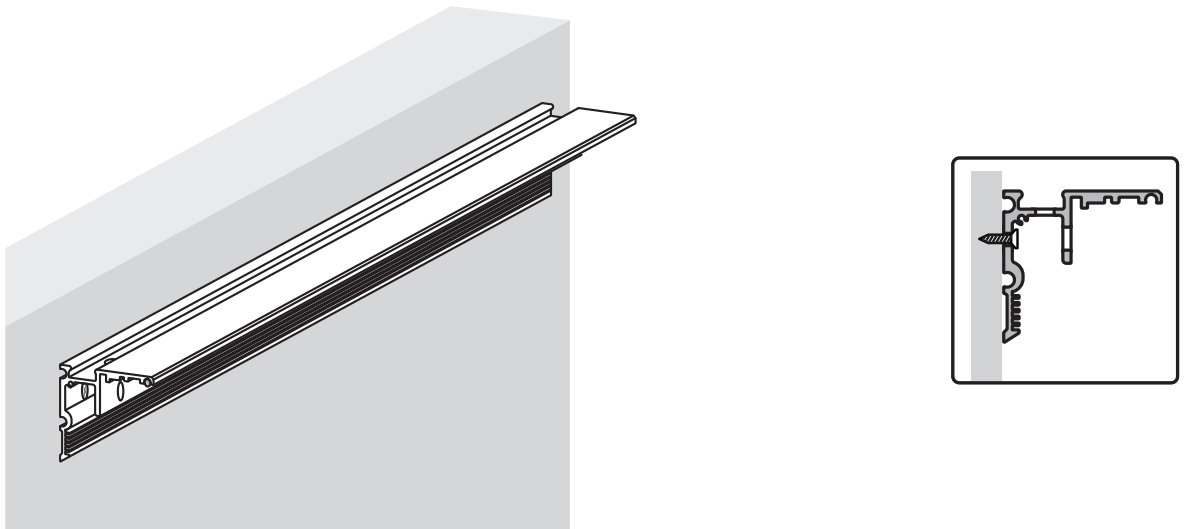


3



1. Apply superglue to the rubber gaskets
2. Install the gaskets into the slots
3. The gaskets are installed

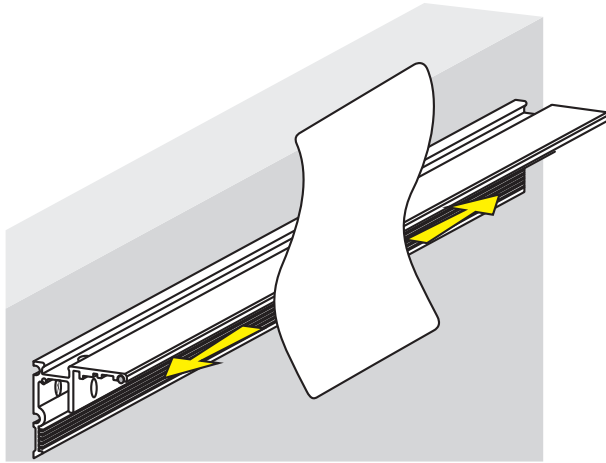
# UPPER PROFILE INSTALLATION ON SURFACE

**1****2**

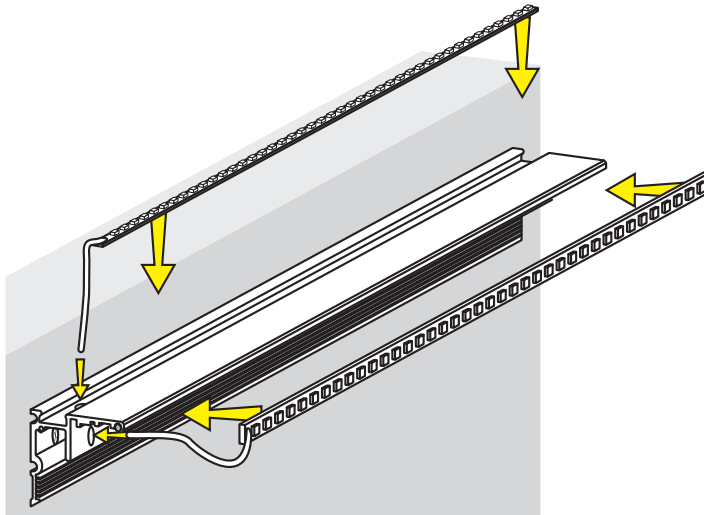
1. Screw in the top profile
2. The profile is screwed in

# LED TAPE INSTALLATION

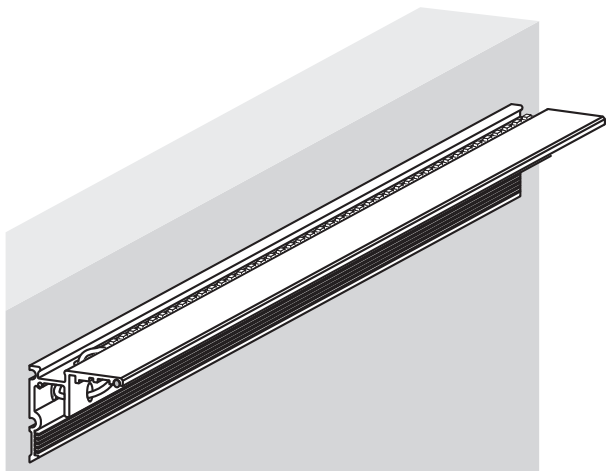
1



2

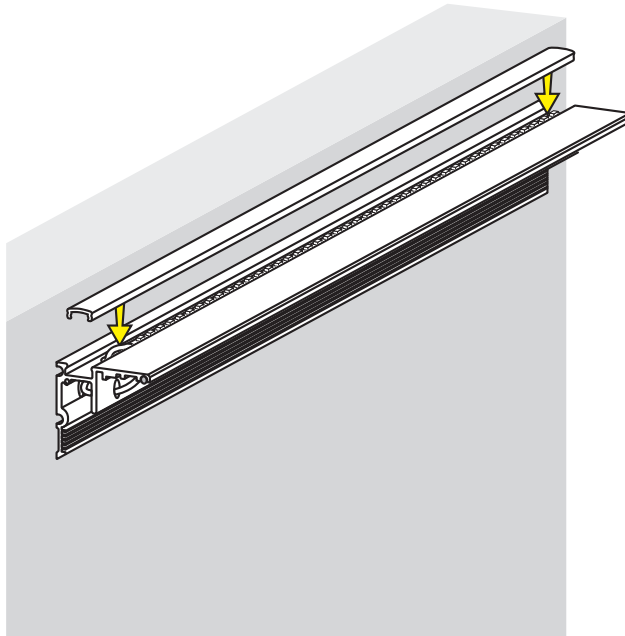
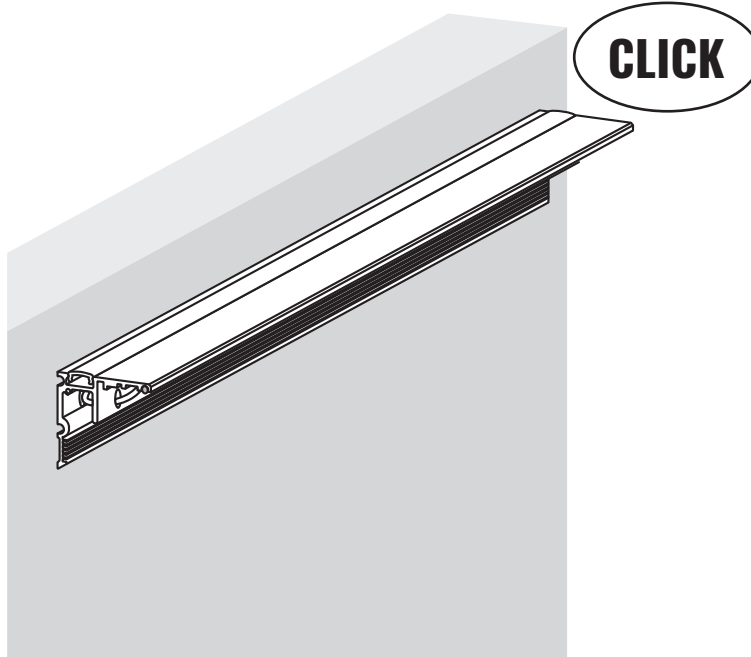


3



1. Clean the interior of dust and debris
2. Attach the LED tapes and route the power cables through the profile
3. The LED tapes are installed

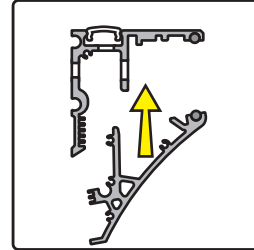
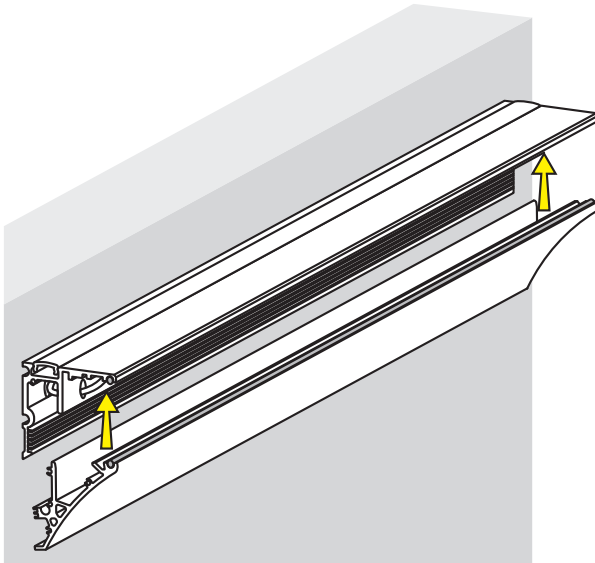
# COVER INSTALLATION

**1****2**

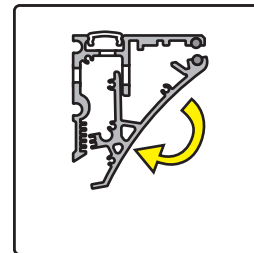
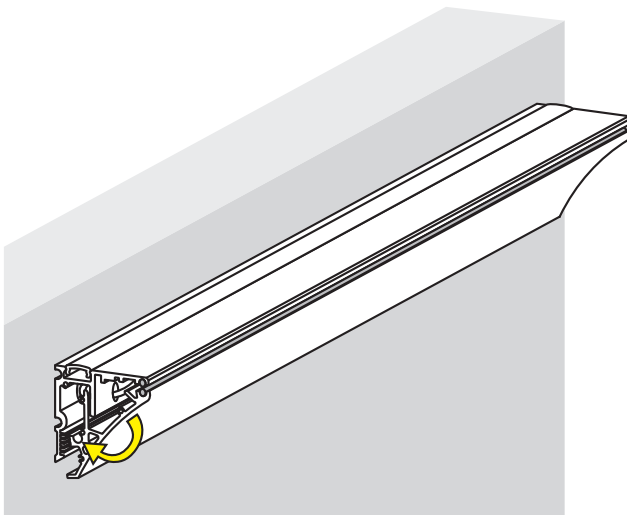
1. Click the cover into place, starting from one side
2. The cover is installed

## LOWER PROFILE INSTALLATION

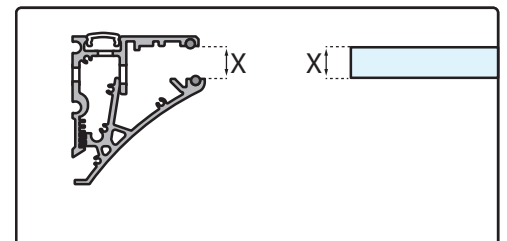
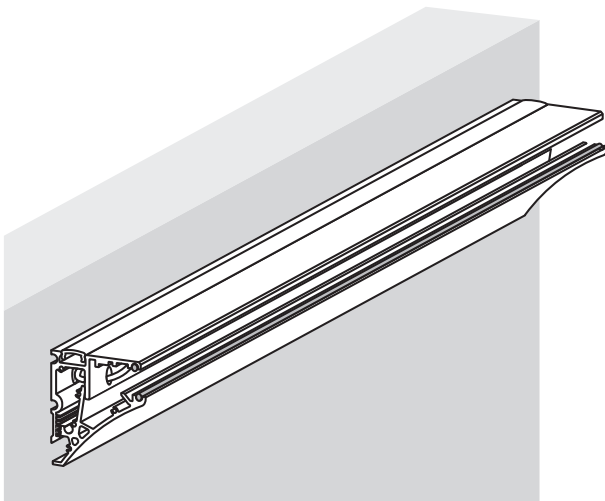
1



2



3



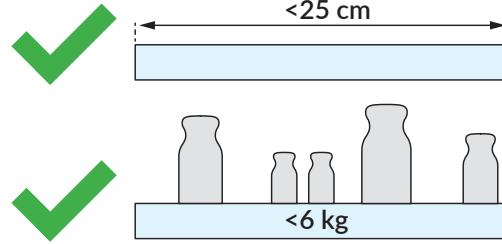
1. Slide the bottom profile in from below
2. Hook the bottom profile onto the notches in the top profile
3. The bottom profile is installed.

Make sure the gap between the profiles matches the thickness of the glass

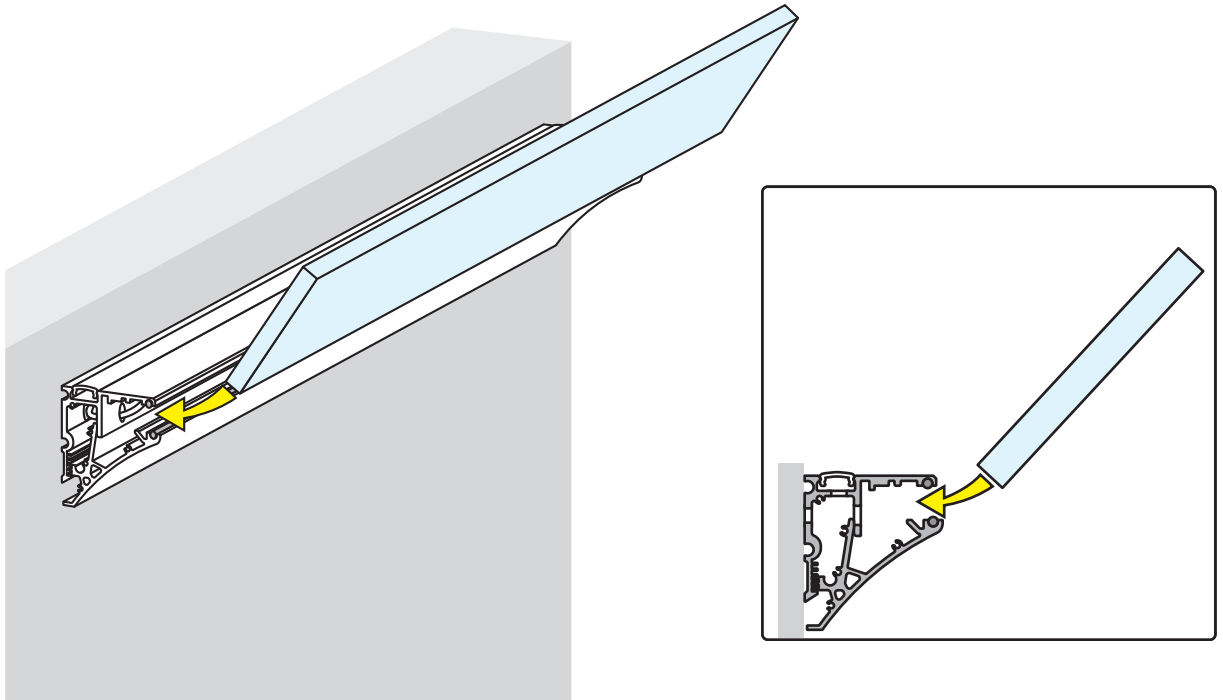
# GLASS INSTALLATION

## WARNING!

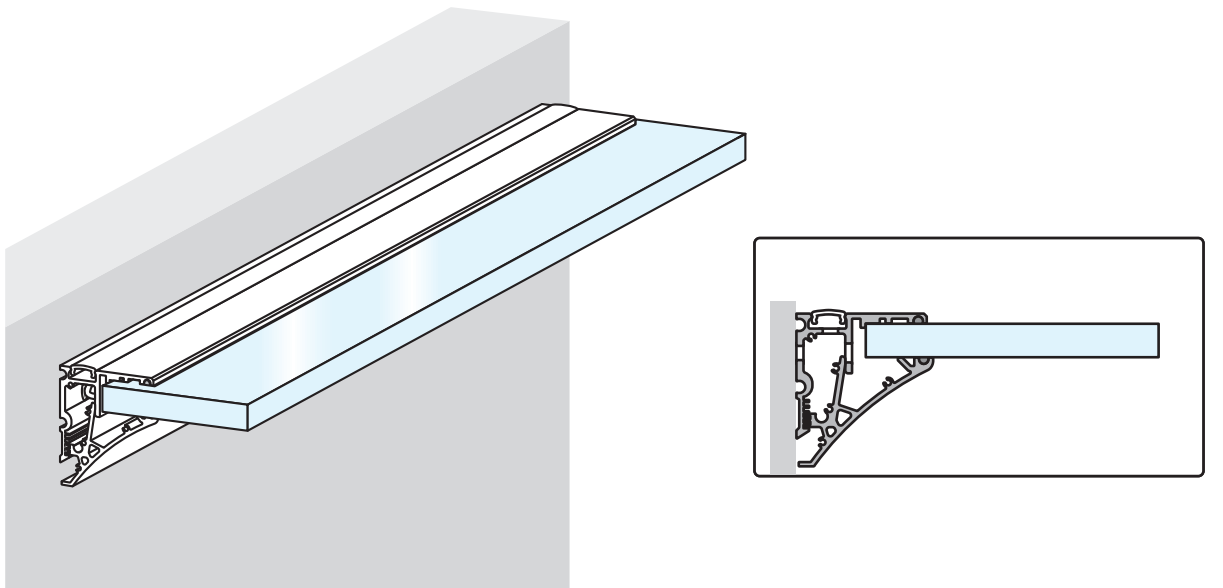
The profile can support glass with a maximum depth of 25 cm.  
The profile can support a maximum load of 6 kg.



1

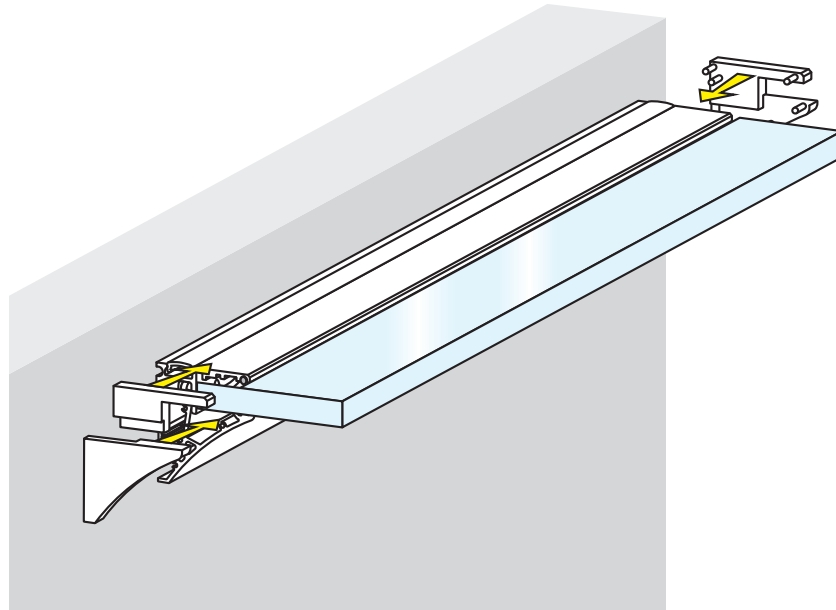
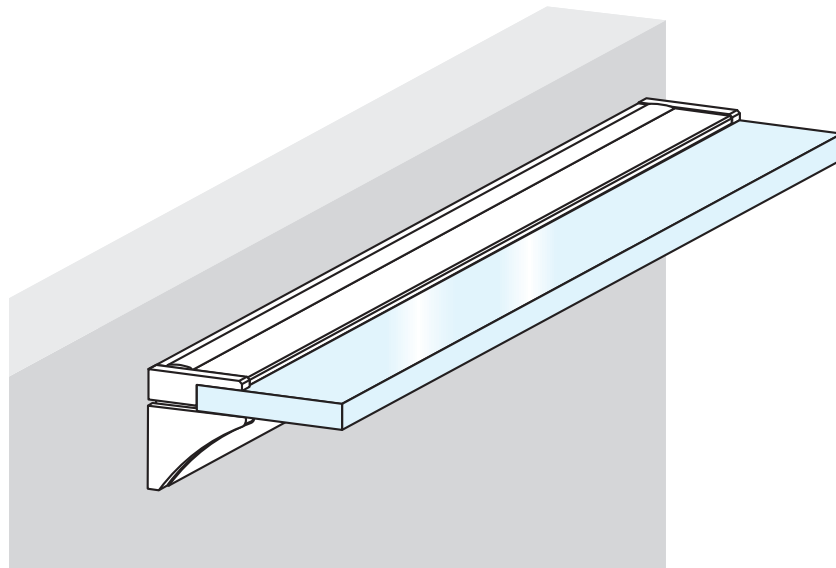


2



1. Insert the glass at an angle from above
2. The glass is installed

## ENDCAPS INSTALLATION

**1****2**

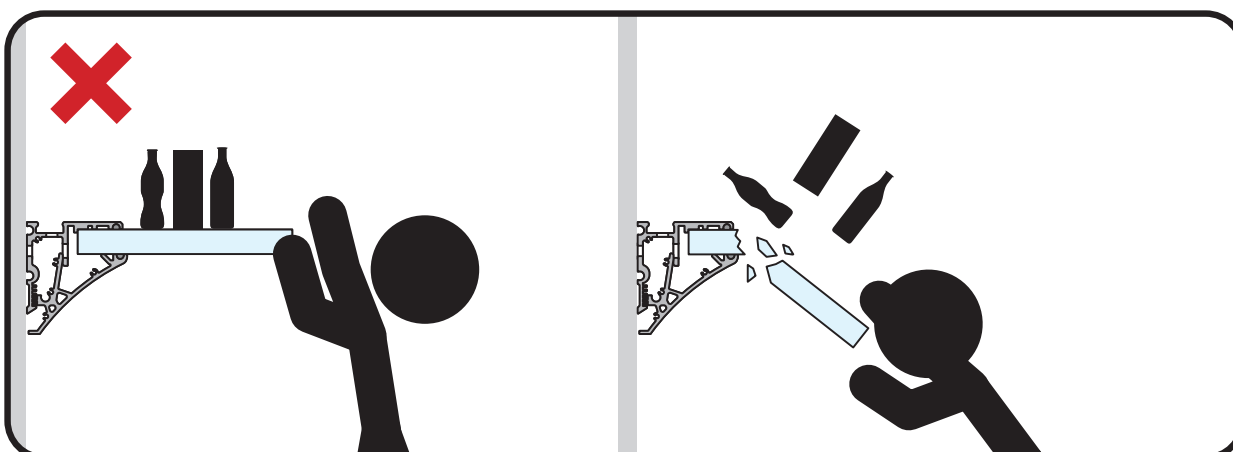
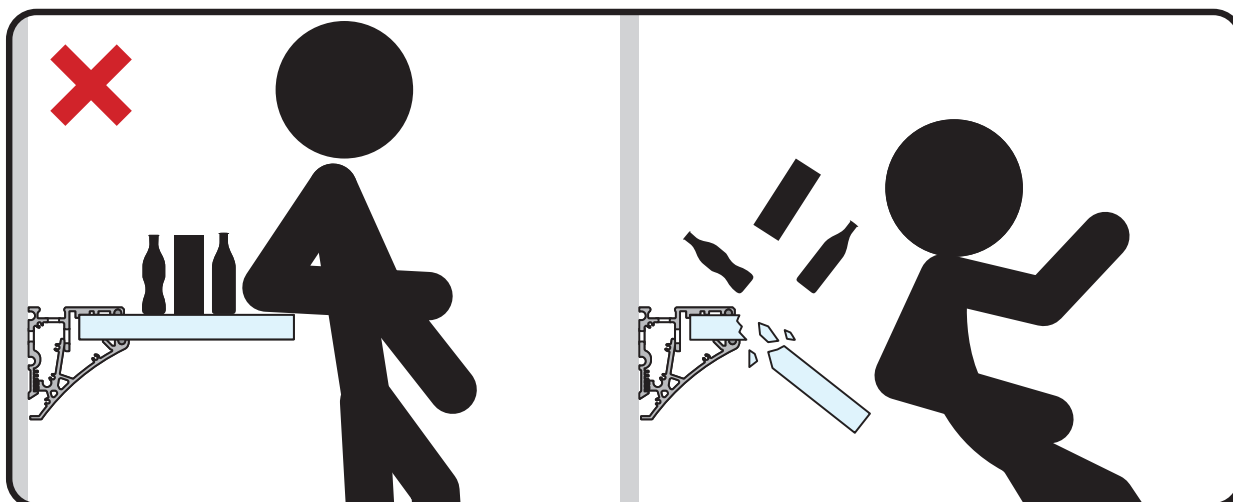
1. Install the top and bottom caps
2. The endcaps are installed

## PRECAUTIONS

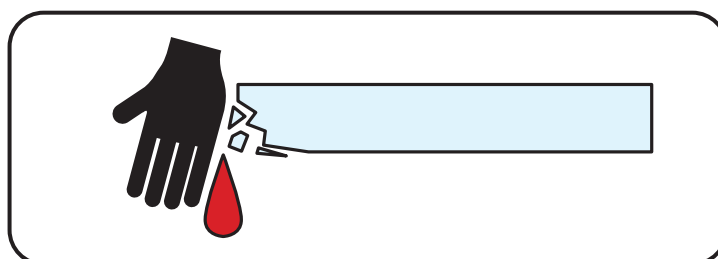
Warning!

Before installation, make sure the mounting surface is load-bearing and stable.

Do not overload the shelf. The maximum load is 6 kg.



Do not lean on the shelf. Keep out of reach of children.



Do not install the shelf if the glass has cracks, chips, or other damage.

Under load, damaged glass may break and cause injury.

Tech Light Sp. z o.o., as a supplier of components, is not responsible for the proper installation and sealing of the LED fixture.