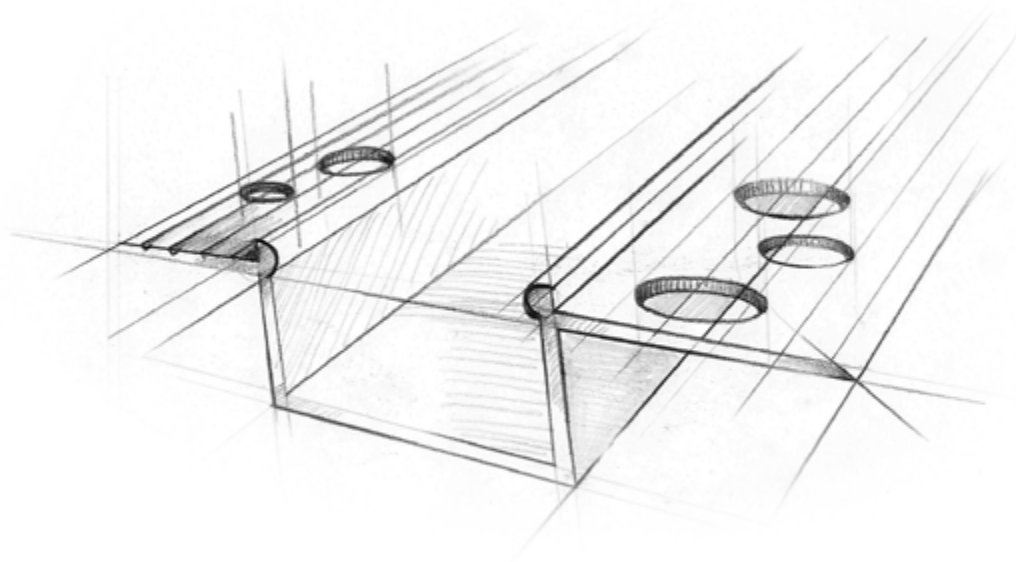




TECH[®]
LIGHT

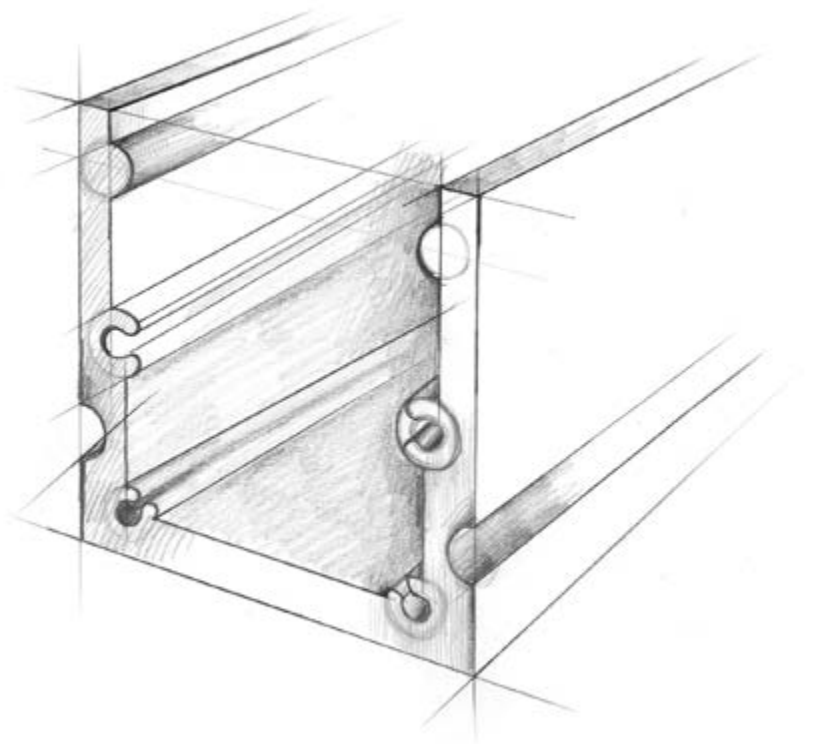


LED PROFILES

2024 / 2025



TECH[®]
LIGHT



Premium solutions at **Your** fingertips



TECH LIGHT

The beauty of extrusion captured in simple forms

Tech Light is the Company with Polish roots, operating on the lighting market since 2015. Founded by design enthusiasts with many years of experience in the field of extrusion. At Tech Light from the very beginning, we focus on the highest quality and innovative products. Our mission is to provide functional and innovative lighting solutions in LED technology.

We offer polycarbonate covers that are unique on the European market, providing double-sided protection against UV radiation. The characteristic fit click of all covers has been appreciated by our customers for years. Tech Light designers create several new lighting profile designs every year, taking into account customer needs and current market trends. Our products brought to life with LED light make an unique mood, influence emotions and create a exceptional atmosphere.

One solution – many applications, this is the philosophy that guides us when designing.

Tech Light management, headed by CEO Anna Szostek, focuses on stable and dynamic development of the Company. Expanding the range of products is a natural result of listening the market needs and responding to the expectations of our partners. We are pleased to cooperate and offer comprehensive technical support. Experienced Tech Light specialists will help to choose the right solution and create the perfect lighting arrangement.

We look forward our cooperation!



CONTENTS

STANDARD PROFILES..... 2	P17-1..... 82	P22-10..... 156
P2-1..... 4	P17-2..... 84	P23-1..... 158
P3-1..... 6	P17-3..... 86	P23-2..... 160
P3-2..... 8	P17-4..... 88	P23-3..... 162
P3-3..... 10	P18-1..... 90	P23-7..... 164
P3-4..... 12	P18-2..... 92	P23-8..... 166
P3-5..... 14	P18-3..... 94	P23-10..... 168
P3-6..... 16	P19-1..... 96	P26-1..... 170
P4-1..... 18	P25-1..... 98	P26-2..... 172
P4-2..... 20	P25-2..... 100	P26-3..... 174
P4-3..... 22	P25-3..... 102	P27-1..... 176
P4-4..... 24		P27-2..... 178
P4-10..... 26	HERMETIC PROFILES..... 104	P27-3..... 180
P5-1..... 28	P11-1..... 106	P27-7..... 182
P5-2..... 30	P11-2..... 108	
P5-10..... 32	P11-3..... 110	COVERS..... 184
P6-1..... 34	P24-1..... 112	C0..... 186
P6-2..... 36	P24-2..... 114	C1..... 186
P6-2.5..... 38		C2..... 186
P6-3..... 40	PLASTER-IN PROFILES 116	C4..... 186
P6-4..... 42	GK4-1..... 118	C5..... 186
P6-5..... 44	GK4-2..... 120	C6..... 187
P7-1..... 46	GK4-3..... 122	C6..... 187
P8-1..... 48	GK6-3..... 124	C7..... 187
P9-1..... 50	GK14-3..... 126	C7..... 187
P10-1..... 52	GK18-3..... 128	C8..... 187
P10-3..... 54	GK22-7..... 130	C9..... 188
P10-4..... 56	GK23-7..... 132	C10..... 188
P10-6..... 58	GK26-3..... 134	C11..... 188
P10-8..... 60	GK27-7..... 136	C12..... 188
P10-10..... 62		C13..... 188
P12-1..... 64	ARCHITECTURAL PROFILES 138	C15..... 189
P13-1..... 66	P1-1..... 140	C16..... 189
P13-2..... 68	P20-1..... 142	C17..... 189
P13-10..... 70	P21-1..... 144	C18..... 189
P14-1..... 72	P22-1..... 146	C19..... 189
P14-2..... 74	P22-2..... 148	C20..... 190
P14-3..... 76	P22-3..... 150	C21..... 190
P15-1..... 78	P22-7..... 152	C22..... 190
P16-1..... 80	P22-8..... 154	C23..... 190

Premium solutions
at **Your** fingertips





STANDARD PROFILES



P2-1

Product code: 862102
EAN code: 5904996204679

PROFILE TYPE

surface

LED TAPE WIDTH

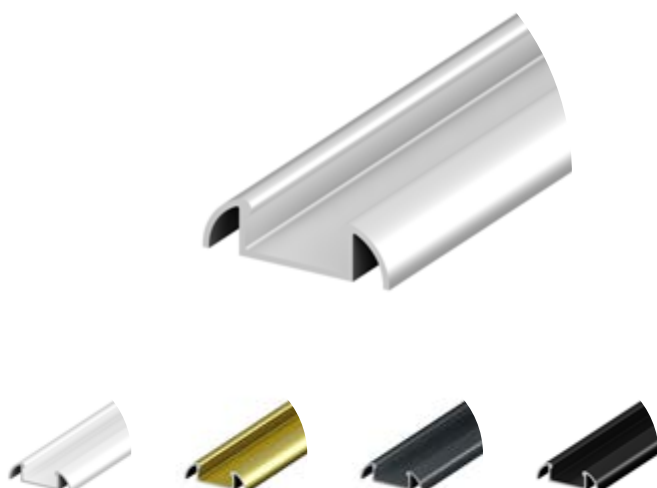
up to 12 mm

COLOUR VERSIONS

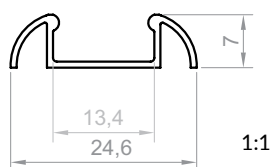
silver anodised
painted in white
painted in gold
painted in black
black anodised
anthracite grey
others - on demand

LENGTH

1000 mm
2000 mm
3000 mm
4000-6000 mm
(on demand)



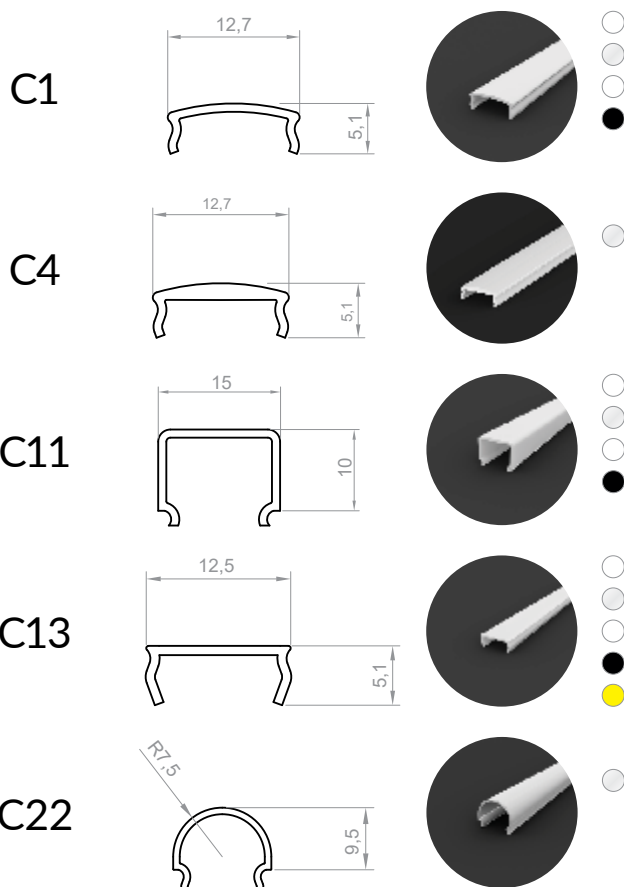
TECHNICAL DRAWING WITH DIMENSIONS



INSTALLATION INSTRUCTIONS



COVERS (CLICK-FIT)



END CAPS



plastic end caps P2-1+C1/C4

INSTALLATION



assembly tape

P2-1



P3-1





P3-2

Product code: 863202
 EAN code: 5904996206161

PROFILE TYPE

corner

LED TAPE WIDTH

up to 12 mm

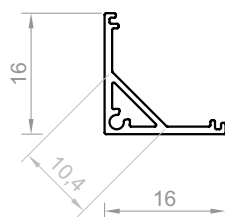
COLOUR VERSIONS

silver anodised
 painted in white
 painted in black
 anthracite grey
 others - on demand

LENGTH

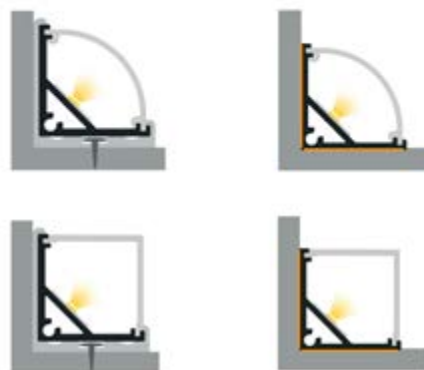
1000 mm
 2000 mm
 3000-6000 mm
 (on demand)

TECHNICAL DRAWING WITH DIMENSIONS



1:1

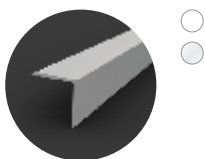
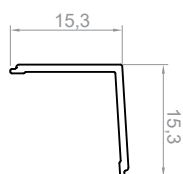
INSTALLATION INSTRUCTIONS



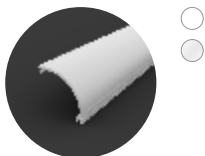
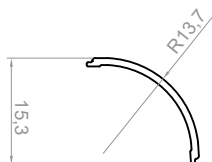
 TESA tape

COVERS (CLICK-FIT)

C17



C18



END CAPS



plastic end caps P3-2+C17



plastic end caps P3-2+C18

INSTALLATION



metal clip



assembly tape

P3-2





P3-3

Product code: 863302
EAN code: 5904996206222

PROFILE TYPE

corner

LED TAPE WIDTH

up to 3x8 mm
up to 2x12 mm

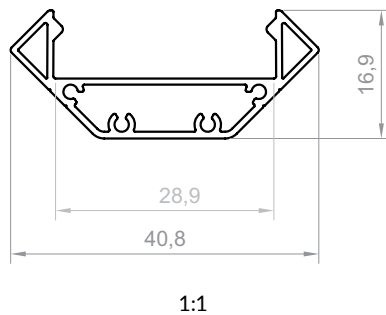
COLOUR VERSIONS

silver anodised
painted in white
painted in black
anthracite grey
others - on demand

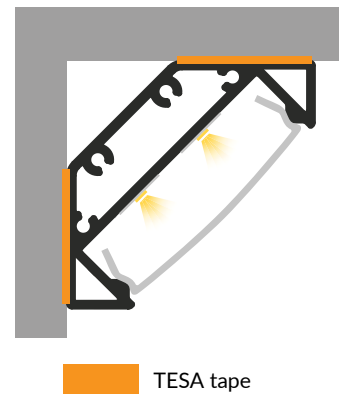
LENGTH

1000 mm
2000 mm
3000-6000 mm
(on demand)

TECHNICAL DRAWING WITH DIMENSIONS

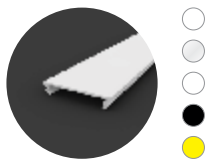
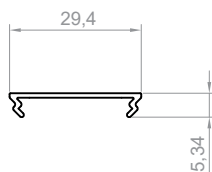


INSTALLATION INSTRUCTIONS



COVERS (CLICK-FIT)

C7



END CAPS



aluminium end caps P3-3+C7 with screws (with hole)



aluminium end caps P3-3+C7 with screws (without hole)

INSTALLATION



assembly tape

P3-3



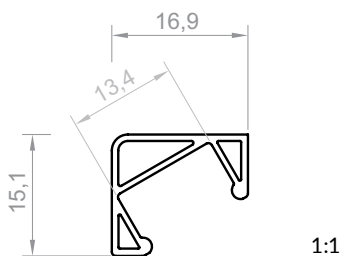


P3-4

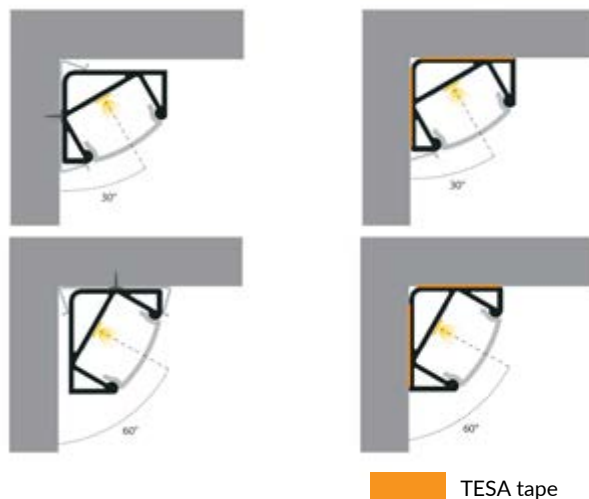
Product code: 863402
EAN code: 5904996206284

PROFILE TYPE	LED TAPE WIDTH
corner	up to 12 mm
COLOUR VERSIONS	LENGTH
silver anodised painted in white painted in black anthracite grey others - on demand	1000 mm 2000 mm 3000-6000 mm (on demand)

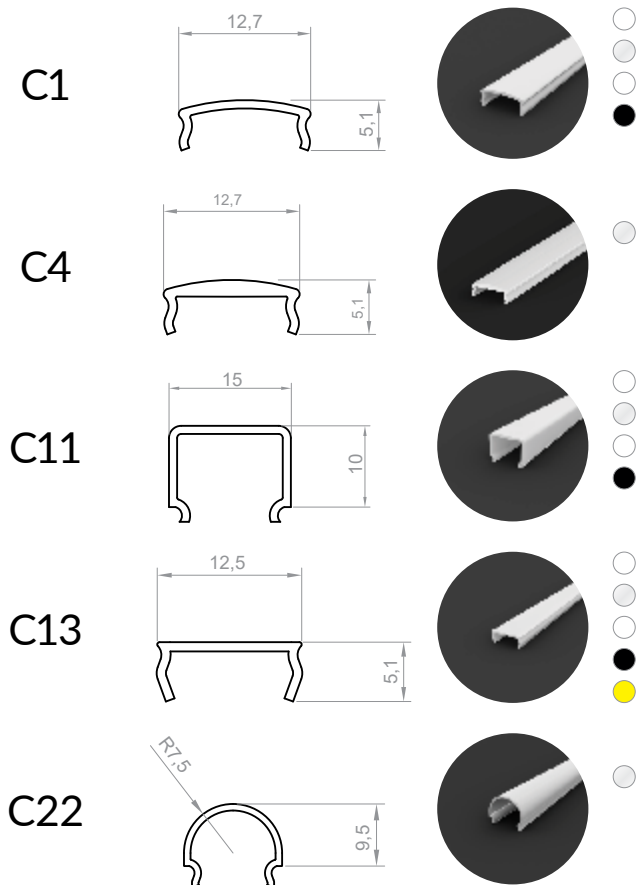
TECHNICAL DRAWING WITH DIMENSIONS



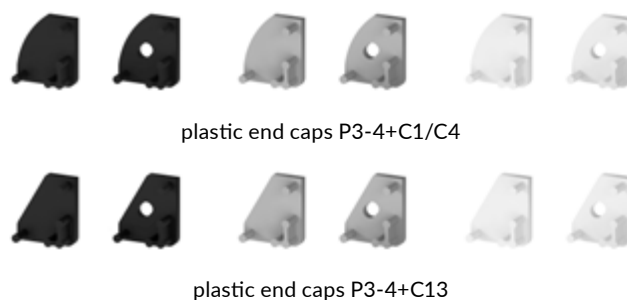
INSTALLATION INSTRUCTIONS



COVERS (CLICK-FIT)



END CAPS

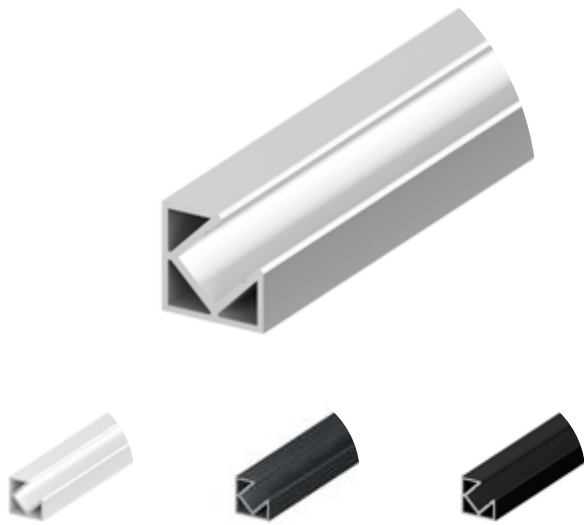


INSTALLATION



P3-4





P3-5

Product code: 863502
 EAN code: 5904996209667

PROFILE TYPE

corner (micro line)

LED TAPE WIDTH

up to 5 mm

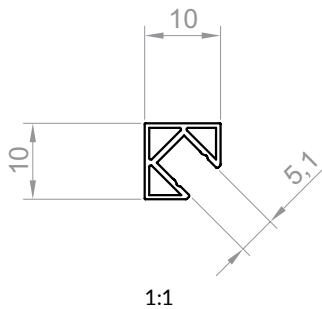
COLOUR VERSIONS

silver anodised
 painted in white
 painted in black
 anthracite grey
 others - on demand

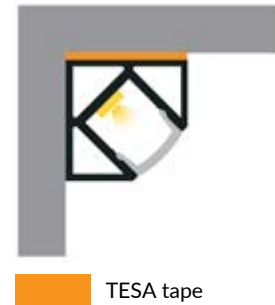
LENGTH

1000 mm
 2000 mm
 3000 mm
 4000-6000 mm
 (on demand)

TECHNICAL DRAWING WITH DIMENSIONS

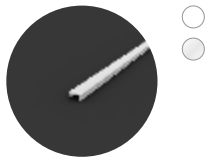
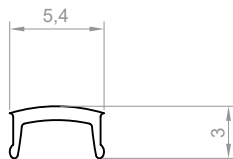


INSTALLATION INSTRUCTIONS



COVERS (CLICK-FIT)

C21



END CAPS



plastic end caps P3-5+C21

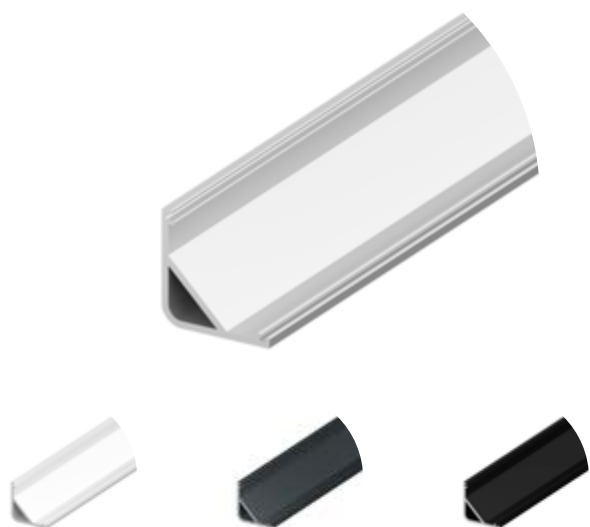
INSTALLATION



assembly tape

P3-5



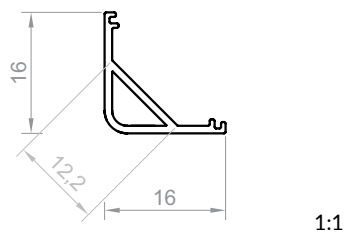


P3-6

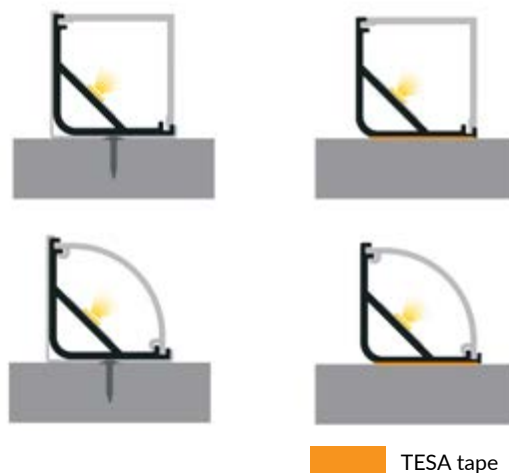
Product code: 863602
EAN code: 5904996213060

PROFILE TYPE	LED TAPE WIDTH
corner	up to 12 mm
COLOUR VERSIONS	LENGTH
silver anodised painted in white painted in black black anodised anthracite grey others - on demand	1000 mm 2000 mm 3000 mm 4000-6000 mm (on demand)

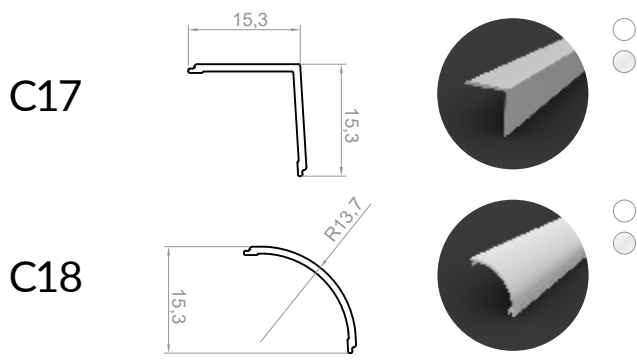
TECHNICAL DRAWING WITH DIMENSIONS



INSTALLATION INSTRUCTIONS



COVERS (CLICK-FIT)



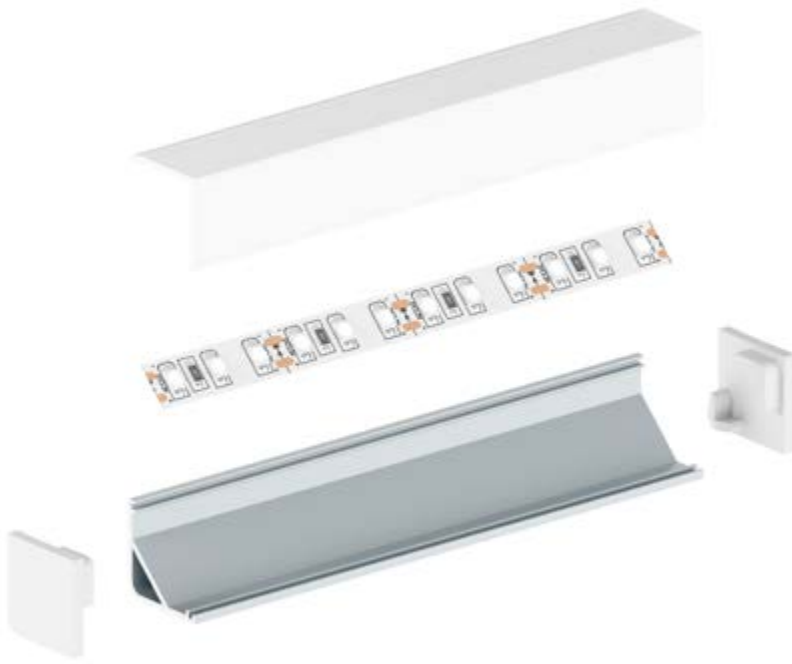
END CAPS

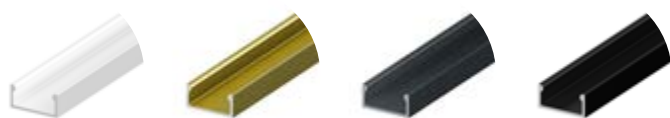
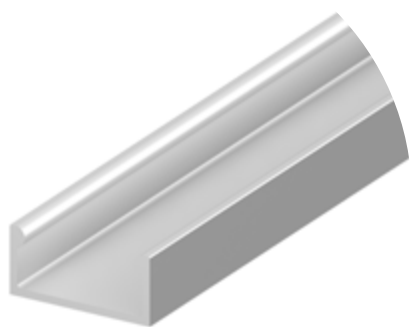


INSTALLATION



P3-6



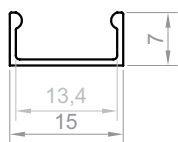


P4-1

Product code: 864102
EAN code: 5904996206406

PROFILE TYPE	LED TAPE WIDTH
surface	up to 12 mm
COLOUR VERSIONS	LENGTH
silver anodised painted in white painted in gold painted in black black anodised anthracite grey raw aluminium others - on demand	1000 mm 2000 mm 3000 mm 4000-6000 mm (on demand)

TECHNICAL DRAWING WITH DIMENSIONS



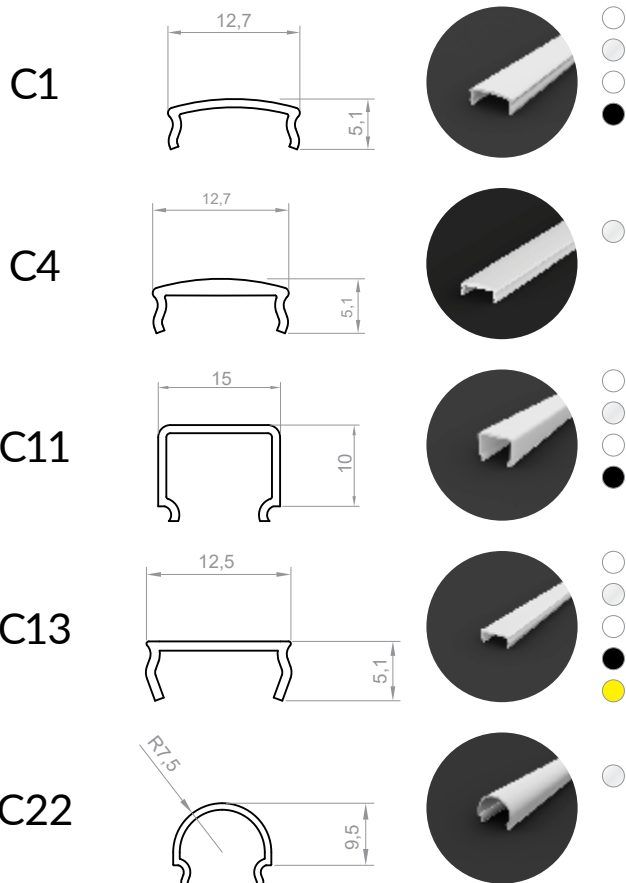
1:1

INSTALLATION INSTRUCTIONS

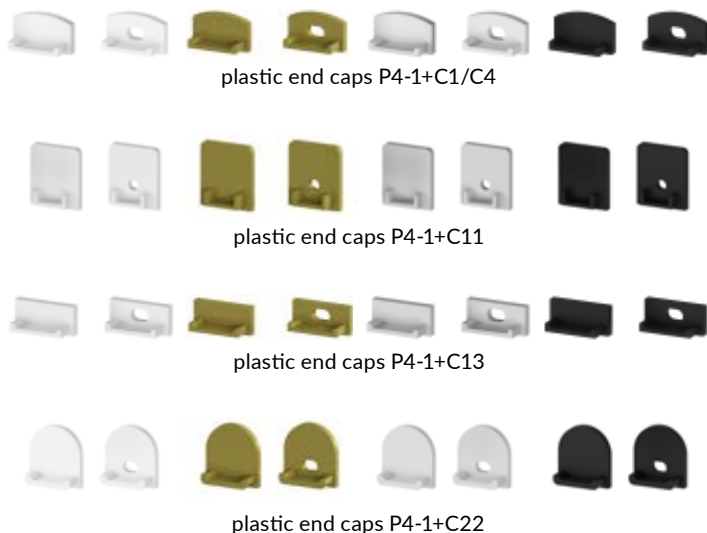


TESA tape

COVERS (CLICK-FIT)



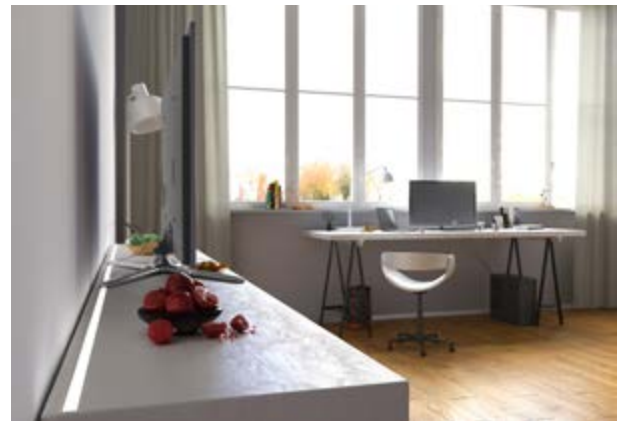
END CAPS

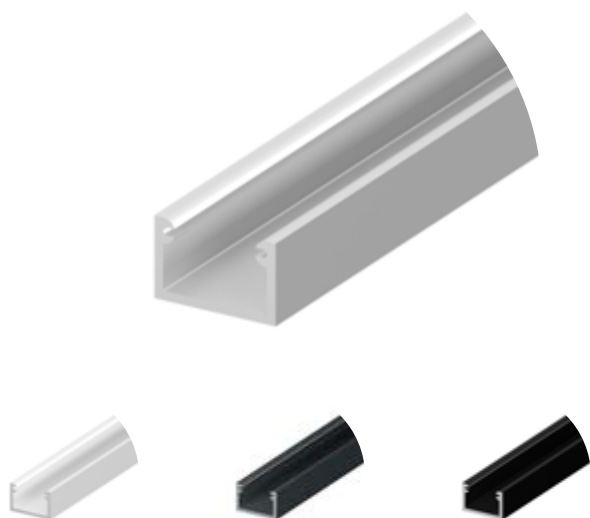


INSTALLATION



P4-1





P4-2

Product code: 864202
EAN code: 5904996206536

PROFILE TYPE

surface

LED TAPE WIDTH

up to 8 mm

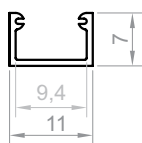
COLOUR VERSIONS

silver anodised
painted in white
painted in black
black anodised
anthracite grey
others - on demand

LENGTH

1000 mm
2000 mm
3000 mm
4000-6000 mm
(on demand)

TECHNICAL DRAWING WITH DIMENSIONS



1:1

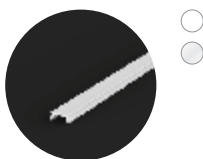
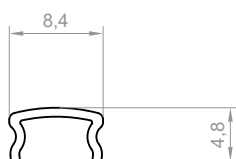
INSTALLATION INSTRUCTIONS



 TESA tape

COVERS (CLICK-FIT)

C10



END CAPS




plastic end caps P4-2+C10

INSTALLATION



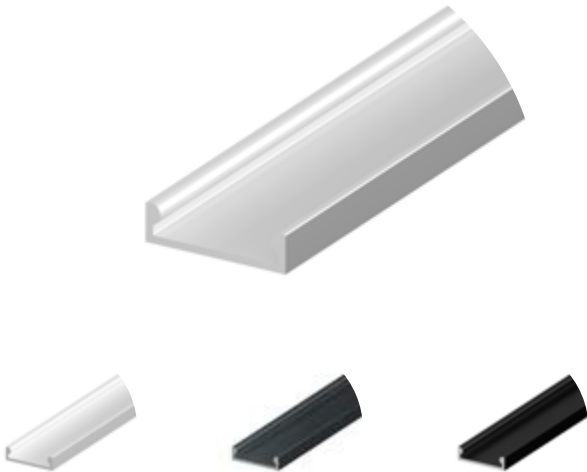
 metal clip



 assembly tape

P4-2



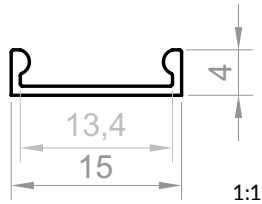


P4-3

Product code: 864302
EAN code: 5904996206642

PROFILE TYPE	LED TAPE WIDTH
surface	up to 12 mm
COLOUR VERSIONS	LENGTH
silver anodised	1000 mm
painted in white	2000 mm
painted in black	3000 mm
anthracite grey	4000-6000 mm
others - on demand	(on demand)

TECHNICAL DRAWING WITH DIMENSIONS



INSTALLATION INSTRUCTIONS



TESA tape

COVERS (CLICK-FIT)

C1			<input type="radio"/> <input type="radio"/> <input type="radio"/> <input type="radio"/>
C4			<input type="radio"/>
C11			<input type="radio"/> <input type="radio"/> <input type="radio"/> <input type="radio"/>
C13			<input type="radio"/> <input type="radio"/> <input type="radio"/> <input type="radio"/>
C22			<input type="radio"/>

END CAPS

	plastic end caps P4-3+C1/C4
	plastic end caps P4-3+C11
	plastic end caps P4-3+C22

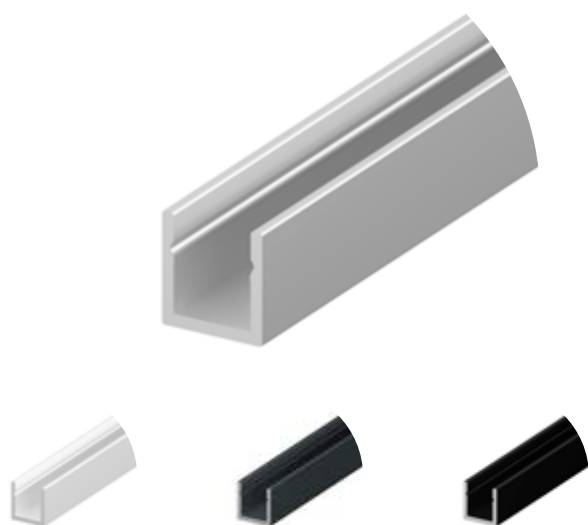
INSTALLATION



assembly tape

P4-3





P4-4

Product code: 864402
 EAN code: 5904996206703

PROFILE TYPE

surface (micro line)

LED TAPE WIDTH

up to 5 mm

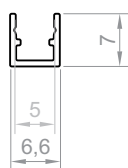
COLOUR VERSIONS

silver anodised
 painted in white
 painted in black
 black anodised
 anthracite grey
 others - on demand

LENGTH

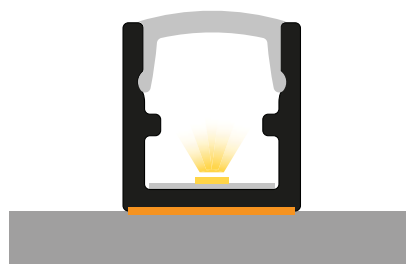
1000 mm
 2000 mm
 3000 mm
 4000-6000 mm
 (on demand)

TECHNICAL DRAWING WITH DIMENSIONS



1:1

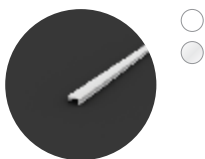
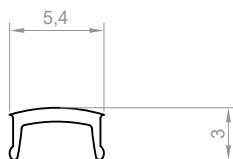
INSTALLATION INSTRUCTIONS



 TESA tape

COVERS (CLICK-FIT)

C21



END CAPS



plastic end caps P4-4+C21

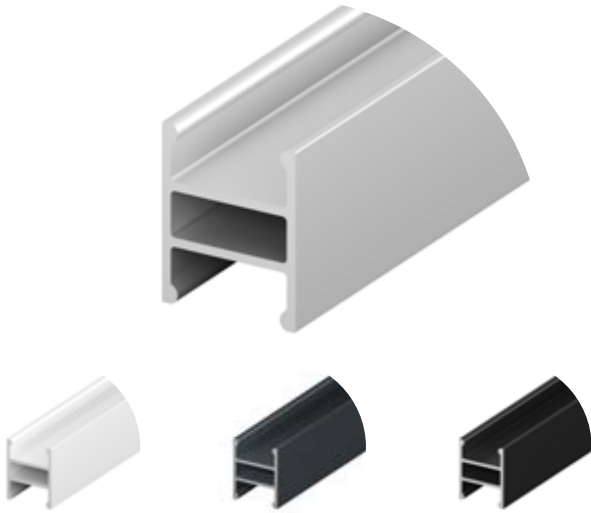
INSTALLATION



assembly tape

P4-4



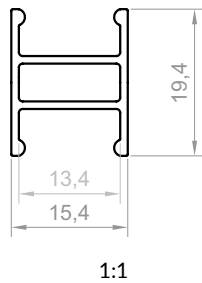


P4-10

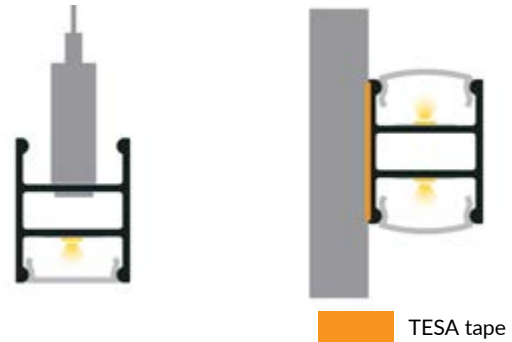
Product code: 8641002
EAN code: 5904996206345

PROFILE TYPE	LED TAPE WIDTH
surface	up to 12 mm
COLOUR VERSIONS	LENGTH
silver anodised	1000 mm
painted in white	2000 mm
painted in black	3000 mm
anthracite grey	4000-6000 mm
others - on demand	(on demand)

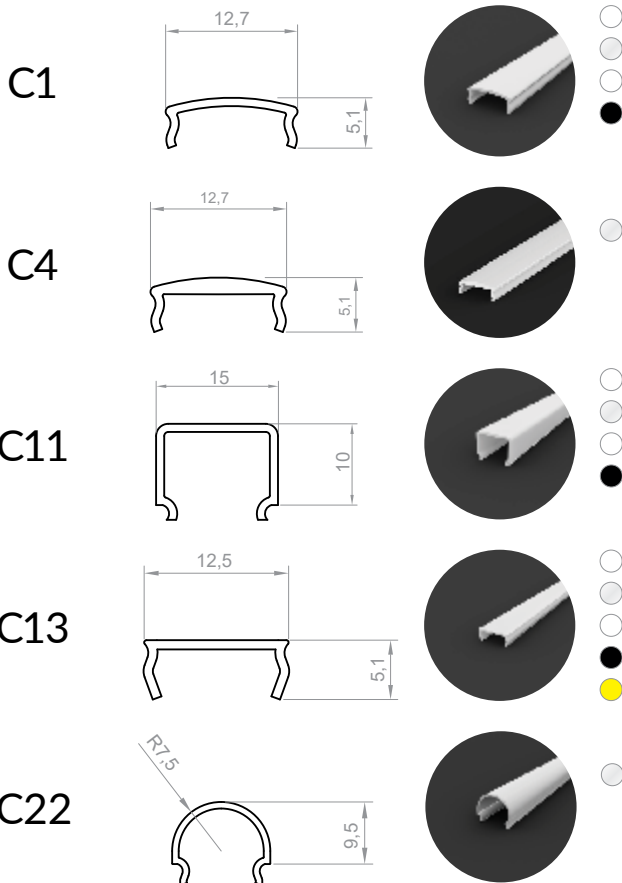
TECHNICAL DRAWING WITH DIMENSIONS



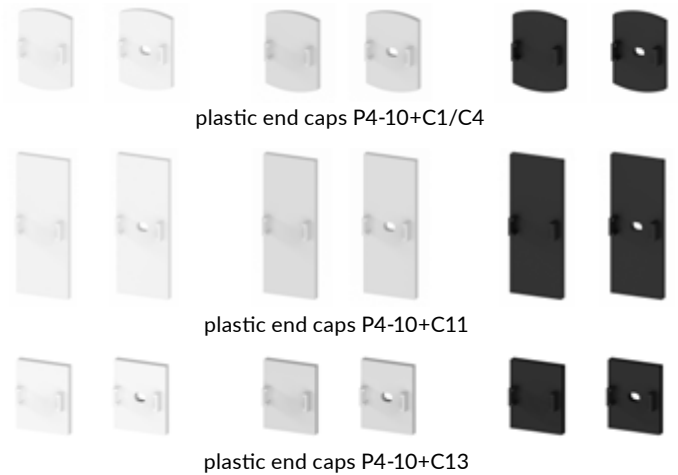
INSTALLATION INSTRUCTIONS



COVERS (CLICK-FIT)



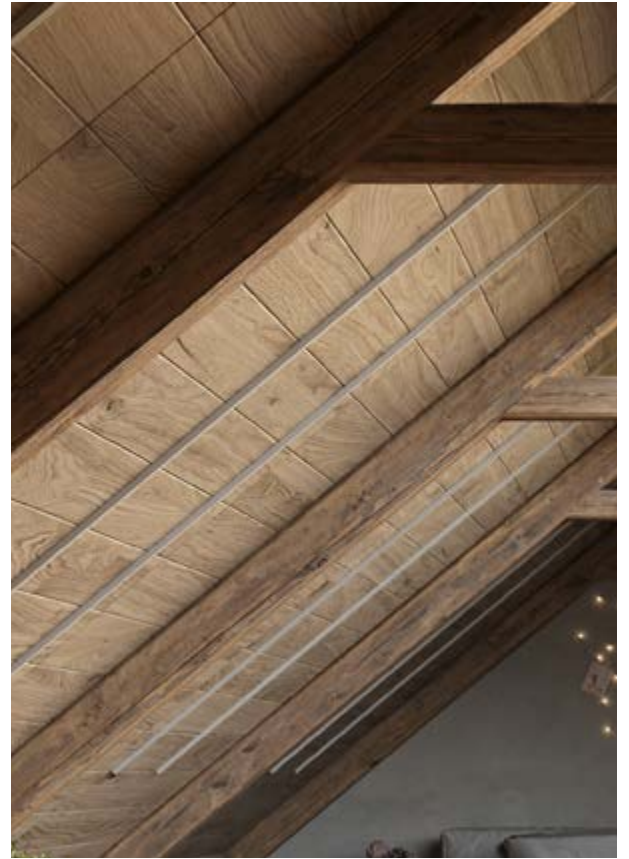
END CAPS

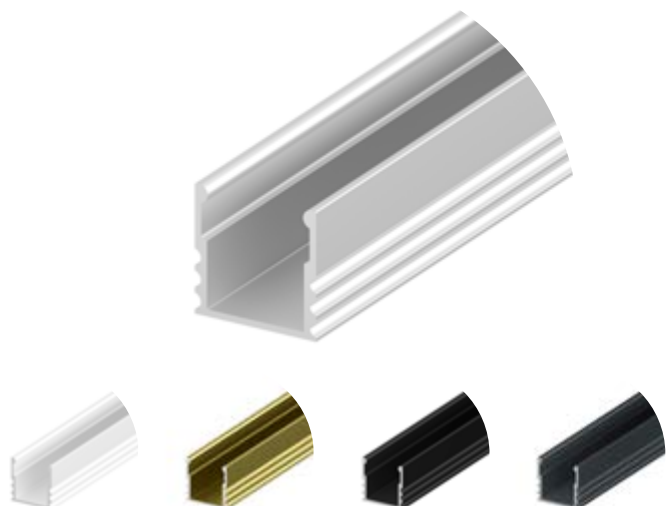


INSTALLATION



P4-10



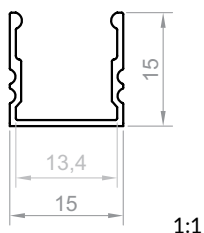


P5-1

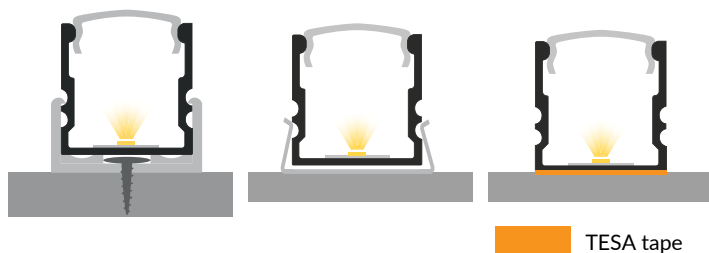
Product code: 865102
EAN code: 5904996206826

PROFILE TYPE	LED TAPE WIDTH
surface	up to 12 mm
COLOUR VERSIONS	LENGTH
silver anodised painted in white painted in gold painted in black anthracite grey others - on demand	1000 mm 2000 mm 3000 mm 4000-6000 mm (on demand)

TECHNICAL DRAWING WITH DIMENSIONS



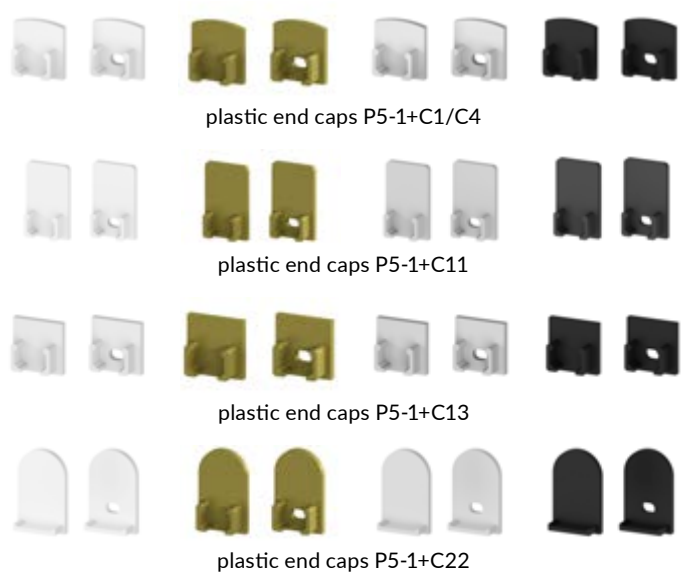
INSTALLATION INSTRUCTIONS



COVERS (CLICK-FIT)

C1			<input type="radio"/>
C4			<input type="radio"/>
C11			<input type="radio"/>
C13			<input type="radio"/>
C22			<input type="radio"/>

END CAPS

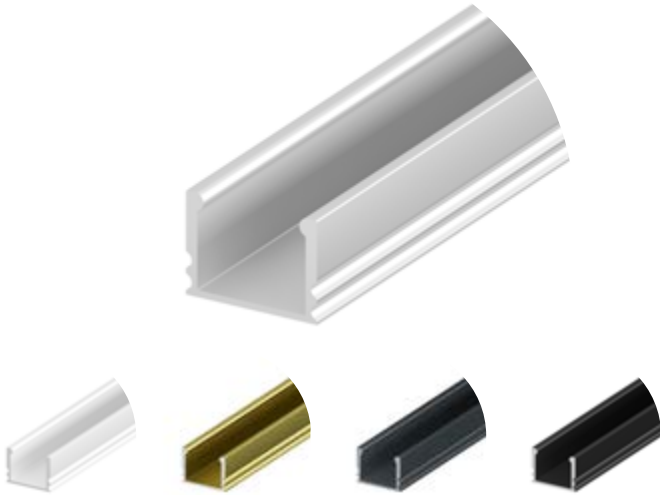


INSTALLATION



P5-1



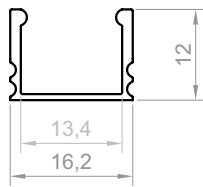


P5-2

Product code: 865202
EAN code: 5904996206949

PROFILE TYPE	LED TAPE WIDTH
surface	up to 12 mm
COLOUR VERSIONS	LENGTH
silver anodised painted in white painted in gold painted in black anthracite grey others - on demand	1000 mm 2000 mm 3000 mm 4000-6000 mm (on demand)

TECHNICAL DRAWING WITH DIMENSIONS



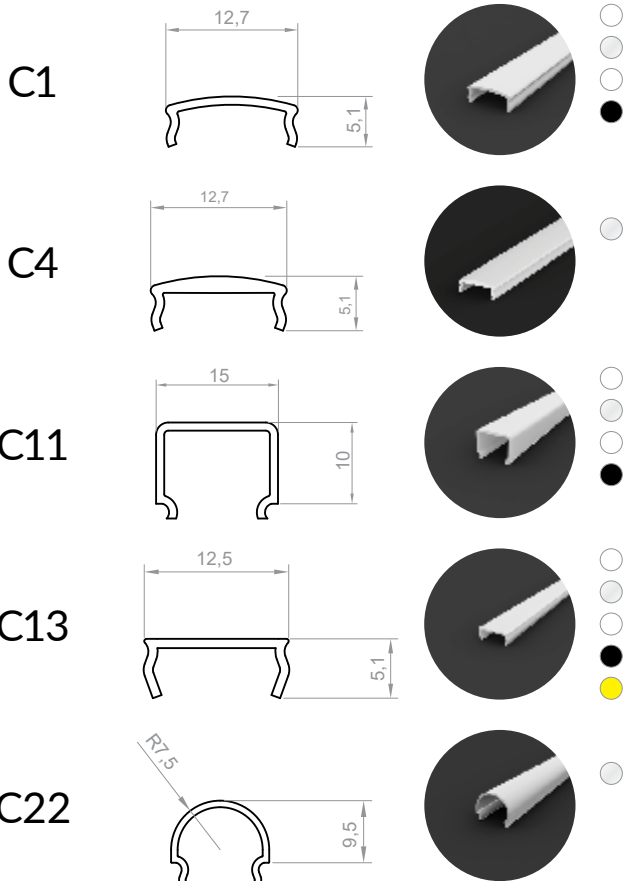
1:1

INSTALLATION INSTRUCTIONS



 TESA tape

COVERS (CLICK-FIT)



END CAPS



plastic end caps P5-2+C1/C4

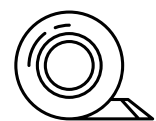


plastic end caps P5-2+C13

INSTALLATION



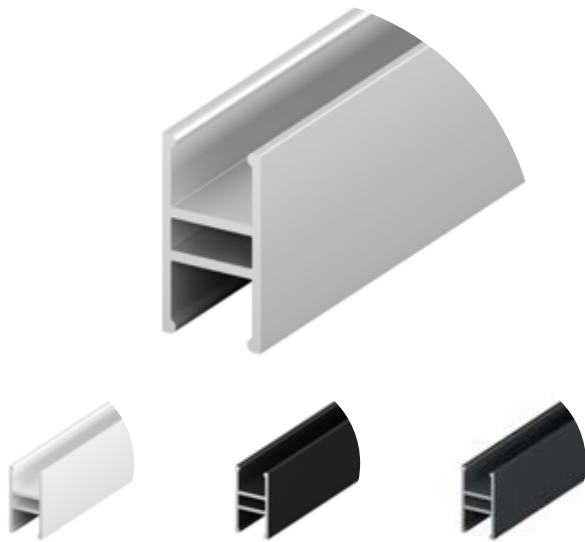
 metal clip



assembly tape

P5-2



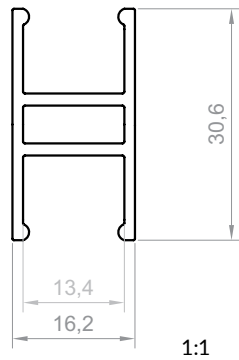


P5-10

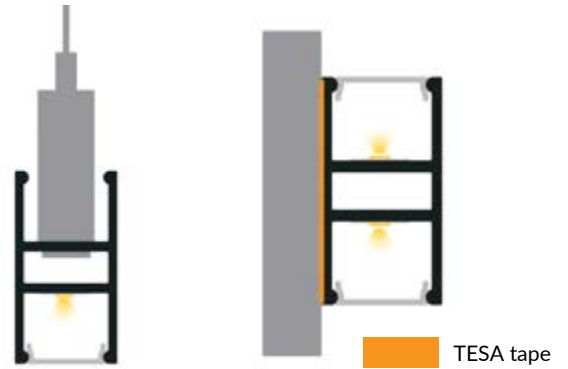
Product code: 8651002
EAN code: 5904996206765

PROFILE TYPE	LED TAPE WIDTH
surface	up to 12 mm
COLOUR VERSIONS	LENGTH
silver anodised painted in white painted in black anthracite grey others - on demand	1000 mm 2000 mm 3000 mm 4000-6000 mm (on demand)

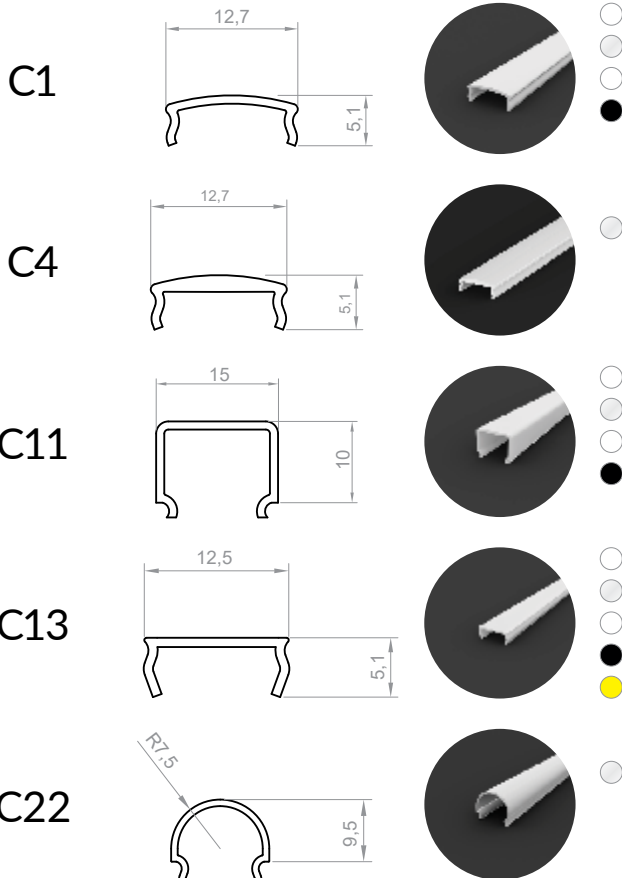
TECHNICAL DRAWING WITH DIMENSIONS



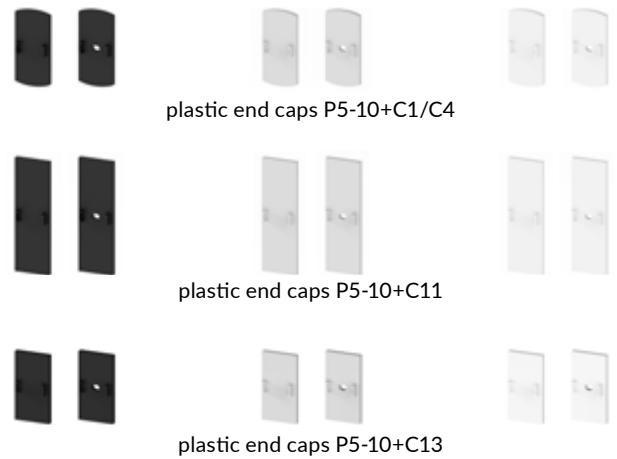
INSTALLATION INSTRUCTIONS



COVERS (CLICK-FIT)



END CAPS

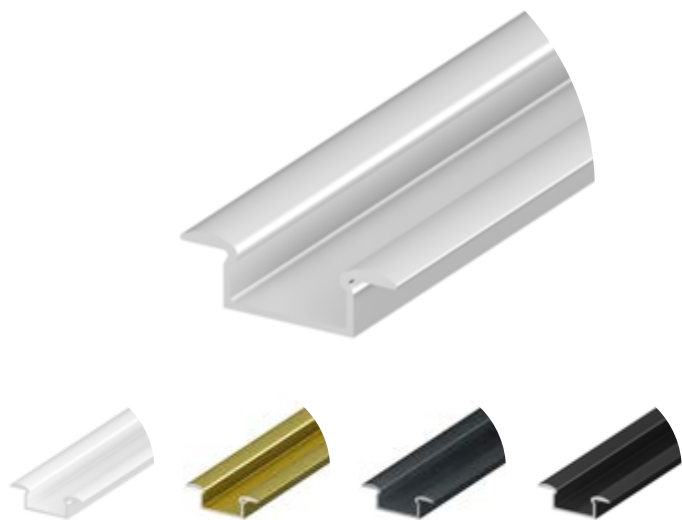


INSTALLATION



P5-10



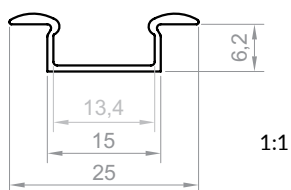


P6-1

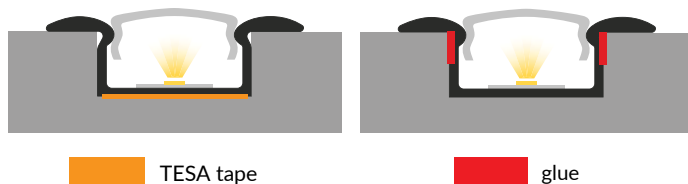
Product code: 866102
EAN code: 5904996207007

PROFILE TYPE	LED TAPE WIDTH
recessed	up to 12 mm
COLOUR VERSIONS	LENGTH
silver anodised painted in white painted in gold painted in black black anodised anthracite grey others - on demand	1000 mm 2000 mm 3000 mm 4000-6000 mm (on demand)

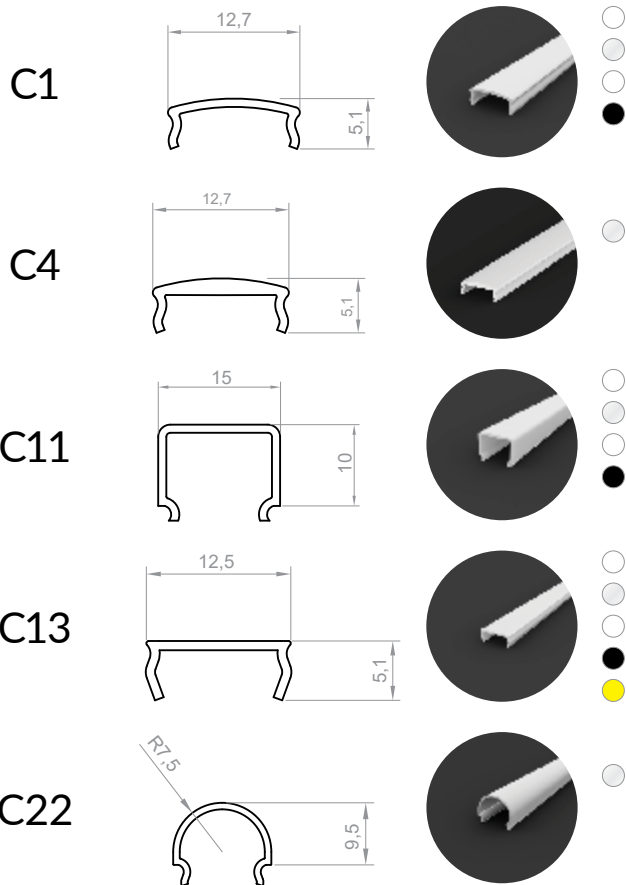
TECHNICAL DRAWING WITH DIMENSIONS



INSTALLATION INSTRUCTIONS



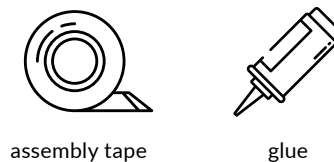
COVERS (CLICK-FIT)



END CAPS



INSTALLATION



P6-1



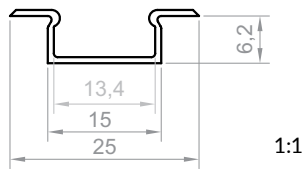


P6-2

Product code: 866202
EAN code: 5904996207120

PROFILE TYPE	LED TAPE WIDTH
recessed	up to 12 mm
COLOUR VERSIONS	LENGTH
silver anodised painted in white painted in gold painted in black black anodised anthracite grey others - on demand	1000 mm 2000 mm 3000 mm 4000-6000 mm (on demand)

TECHNICAL DRAWING WITH DIMENSIONS



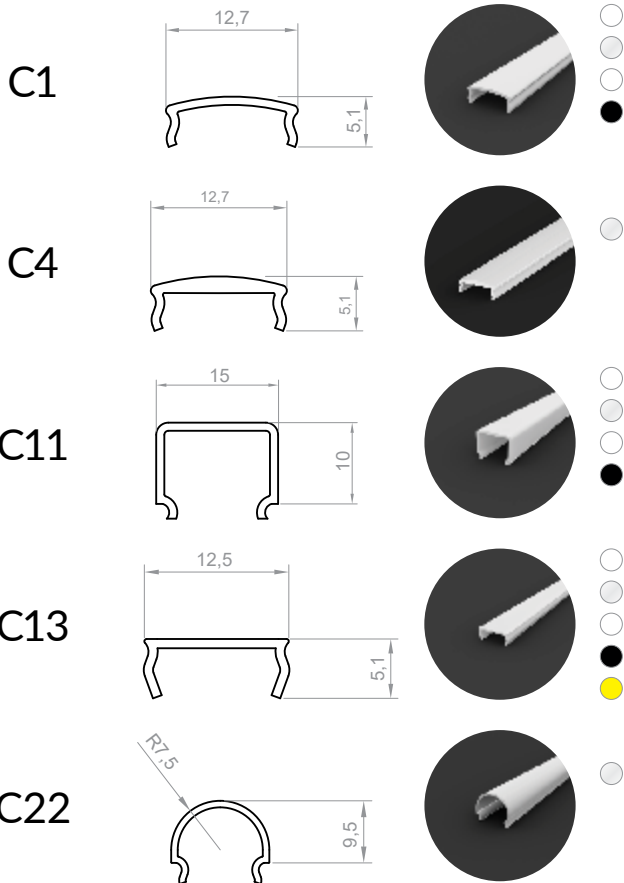
INSTALLATION INSTRUCTIONS



TESA tape

glue

COVERS (CLICK-FIT)



END CAPS



plastic end caps P6-2+C13

INSTALLATION



assembly tape



glue

P6-2



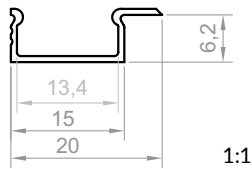


P6-2.5

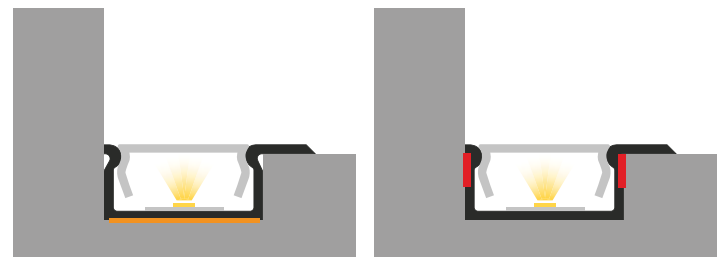
Product code: 86620502
EAN code: 5904996213411

PROFILE TYPE	LED TAPE WIDTH
recessed	up to 12 mm
COLOUR VERSIONS	LENGTH
silver anodised painted in white painted in black anthracite grey others - on demand	1000 mm 2000 mm 3000 mm 4000-6000 mm (on demand)

TECHNICAL DRAWING WITH DIMENSIONS



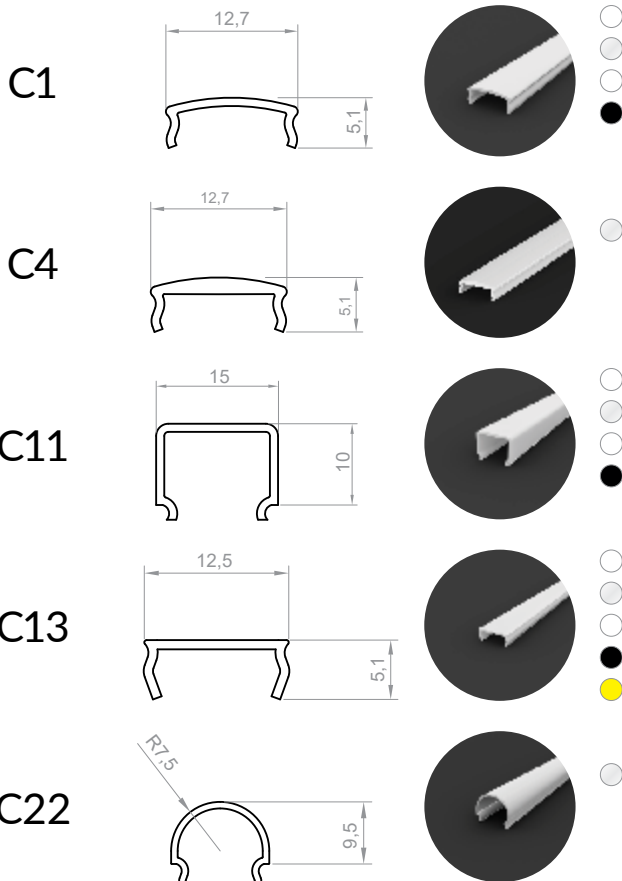
INSTALLATION INSTRUCTIONS



TESA tape

glue

COVERS (CLICK-FIT)



END CAPS

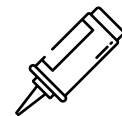


plastic end caps P6-2.5+C13

INSTALLATION



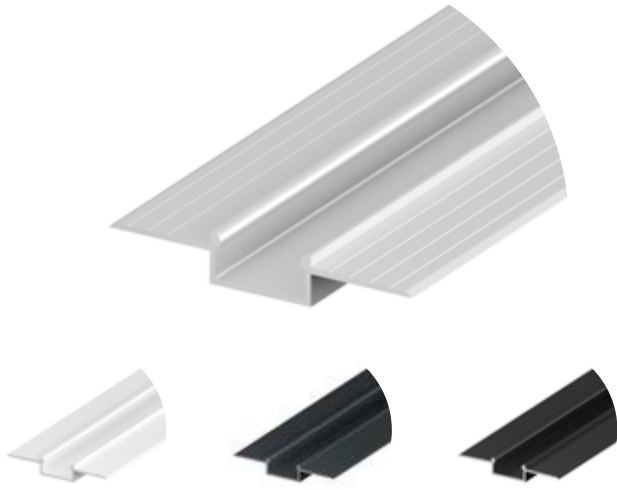
assembly tape



glue

P6-2.5



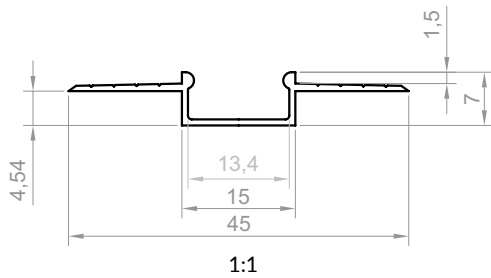


P6-3

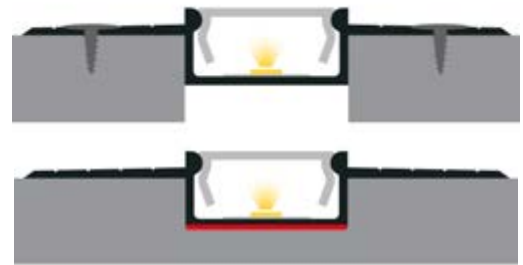
Product code: 866302
EAN code: 5904996207236

PROFILE TYPE	LED TAPE WIDTH
recessed	up to 12 mm
COLOUR VERSIONS	LENGTH
silver anodised	1000 mm
painted in white	2000 mm
painted in black	3000 mm
anthracite grey	4000-6000 mm
others - on demand	(on demand)

TECHNICAL DRAWING WITH DIMENSIONS



INSTALLATION INSTRUCTIONS



glue

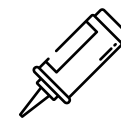
COVERS (CLICK-FIT)

C1			<input type="radio"/>
C4			<input type="radio"/>
C11			<input type="radio"/>
C13			<input type="radio"/>
C22			<input type="radio"/>

END CAPS

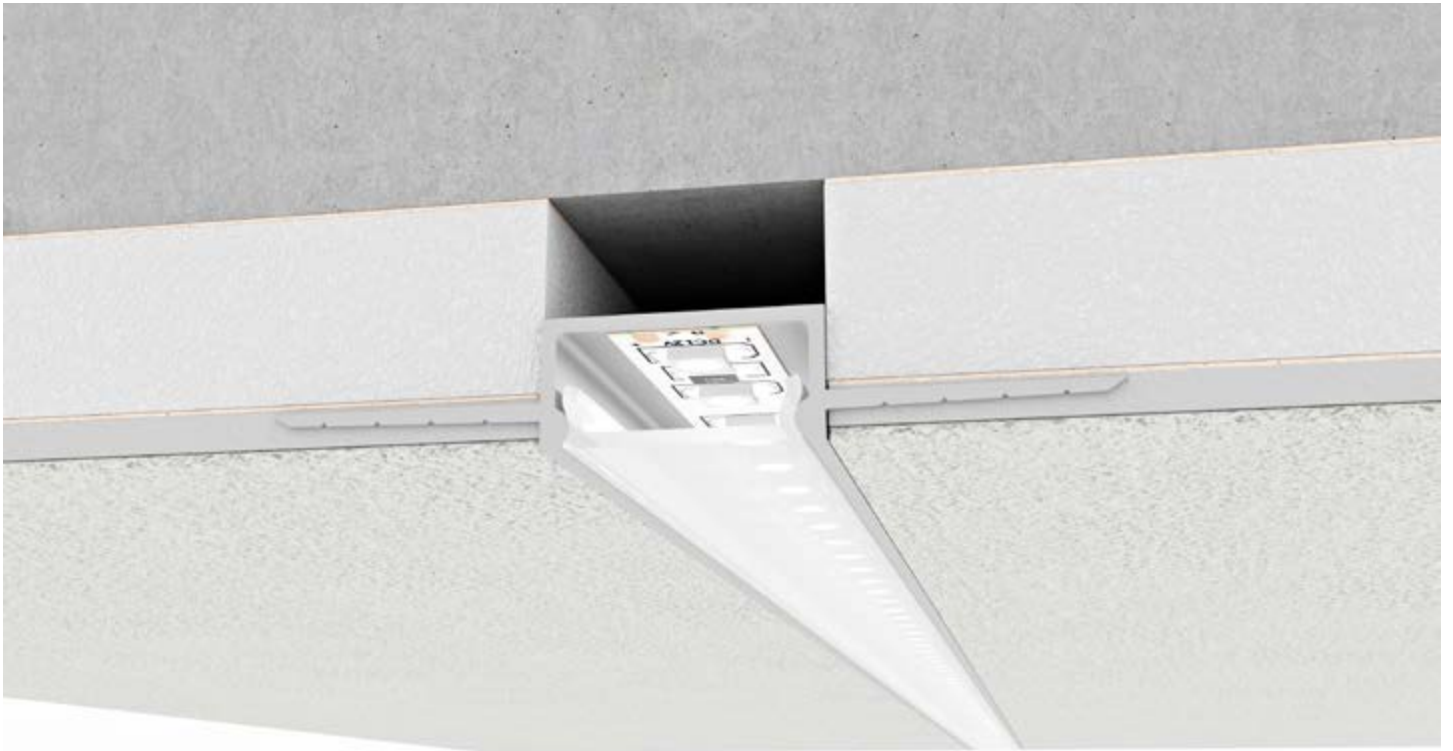
	plastic end caps P4-1+C1/C4
	plastic end caps P4-1+C11
	plastic end caps P4-1+C13
	plastic end caps P4-1+C22

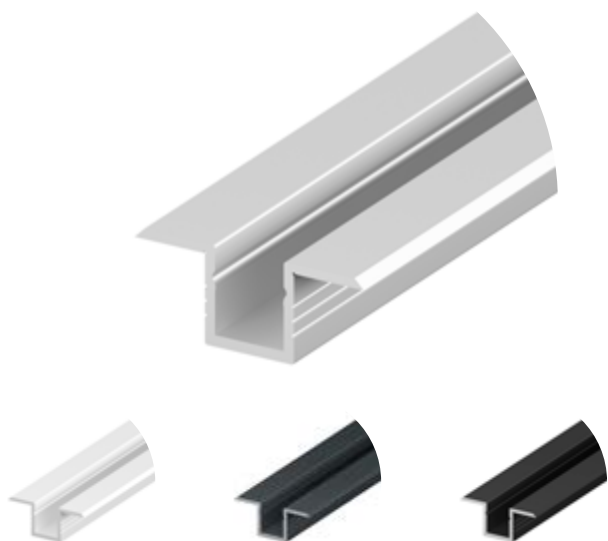
INSTALLATION



glue

P6-3





P6-4

Product code: 866402

EAN code: 5904996209759

PROFILE TYPE

recessed (micro line)

LED TAPE WIDTH

up to 5 mm

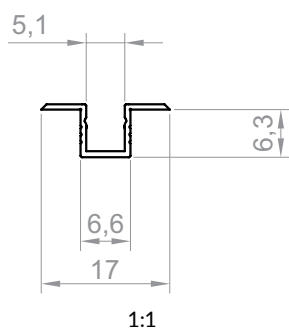
COLOUR VERSIONS

silver anodised
 painted in white
 painted in black
 anthracite grey
 others - on demand

LENGTH

1000 mm
 2000 mm
 3000 mm
 4000-6000 mm
 (on demand)

TECHNICAL DRAWING WITH DIMENSIONS



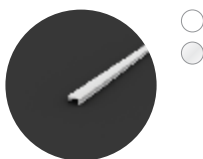
INSTALLATION INSTRUCTIONS


 TESA tape

 glue

COVERS (CLICK-FIT)

C21



END CAPS



plastic end caps P6-4+C21

INSTALLATION



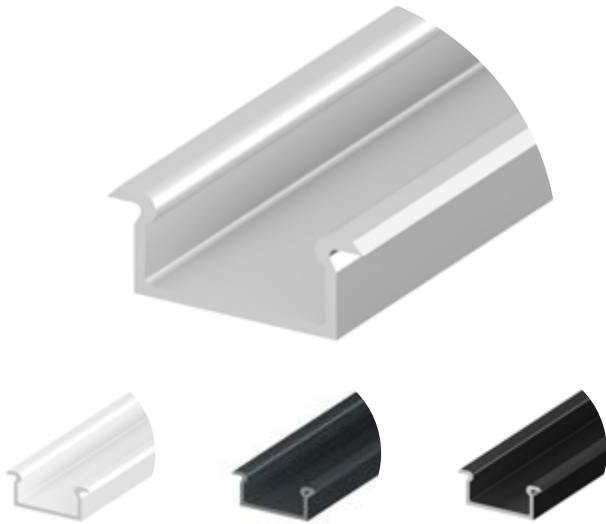
assembly tape



glue

P6-4



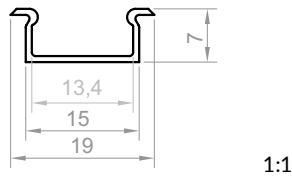


P6-5

Product code: 866502
EAN code: 5904996214098

PROFILE TYPE	LED TAPE WIDTH
recessed	up to 12 mm
COLOUR VERSIONS	LENGTH
silver anodised painted in white painted in black anthracite grey others - on demand	1000 mm 2000 mm 3000 mm 4000-6000 mm (on demand)

TECHNICAL DRAWING WITH DIMENSIONS



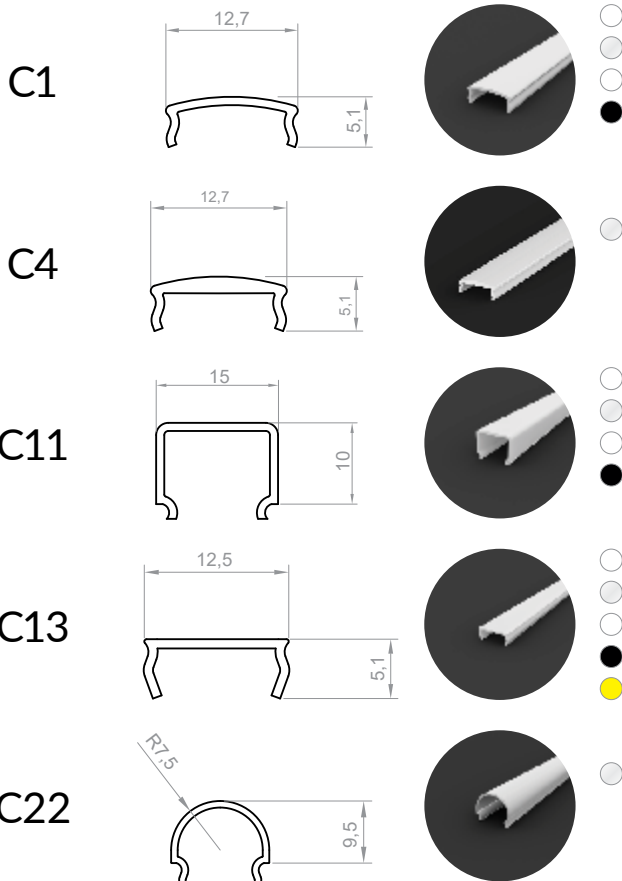
INSTALLATION INSTRUCTIONS



TESA tape

glue

COVERS (CLICK-FIT)



END CAPS



plastic end caps P6-5+C13

INSTALLATION



assembly tape



glue

P6-5



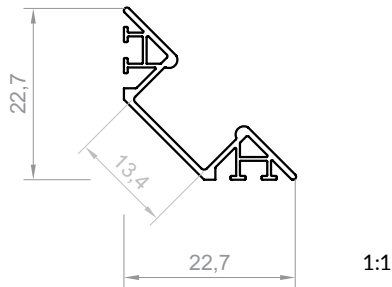


P7-1

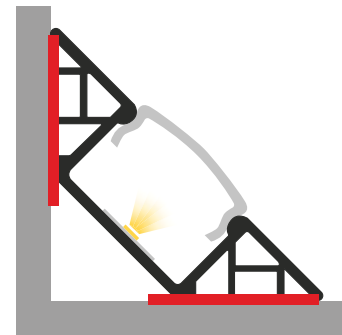
Product code: 867102
EAN code: 5904996207298

PROFILE TYPE	LED TAPE WIDTH
corner	up to 12 mm
COLOUR VERSIONS	LENGTH
silver anodised	1000 mm
painted in white	2000 mm
painted in gold	3000 mm
painted in black	4000-6000 mm
anthracite grey	(on demand)
others - on demand	

TECHNICAL DRAWING WITH DIMENSIONS

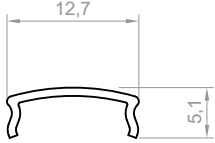
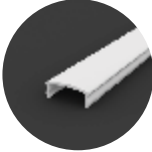
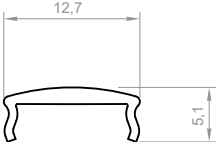

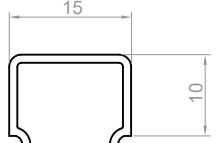

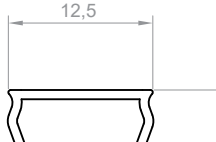





INSTALLATION INSTRUCTIONS



 glue

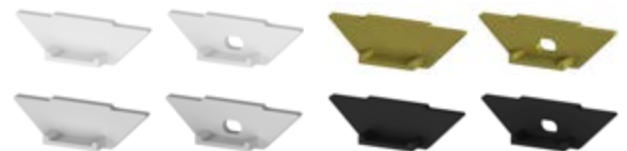
COVERS (CLICK-FIT)

C1			<input type="radio"/>	<input type="radio"/>	<input type="radio"/>	<input type="radio"/>	<input type="radio"/>	<input type="radio"/>	<input type="radio"/>
C4			<input type="radio"/>	<input type="radio"/>	<input type="radio"/>	<input type="radio"/>	<input type="radio"/>	<input type="radio"/>	<input type="radio"/>
C11			<input type="radio"/>	<input type="radio"/>	<input type="radio"/>	<input type="radio"/>	<input type="radio"/>	<input type="radio"/>	<input type="radio"/>
C13			<input type="radio"/>	<input type="radio"/>	<input type="radio"/>	<input type="radio"/>	<input type="radio"/>	<input type="radio"/>	<input type="radio"/>
C22			<input type="radio"/>	<input type="radio"/>	<input type="radio"/>	<input type="radio"/>	<input type="radio"/>	<input type="radio"/>	<input type="radio"/>

END CAPS

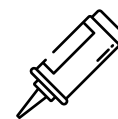


plastic end caps P7-1+C1/C4



plastic end caps P7-1+C13

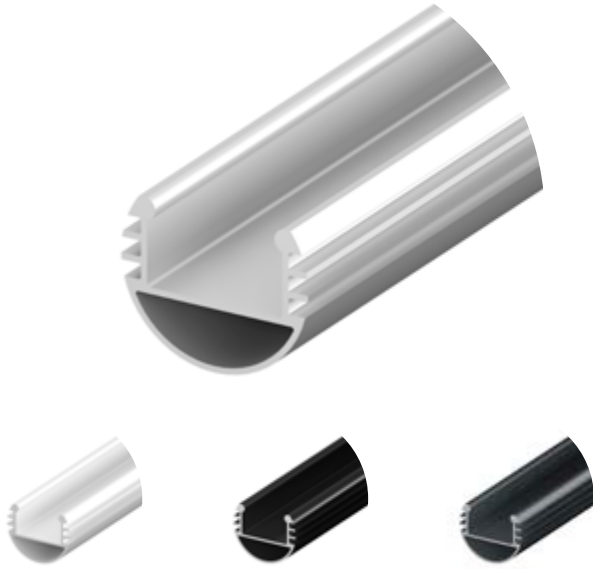
INSTALLATION



glue

P7-1



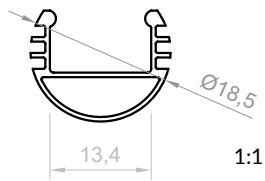


P8-1

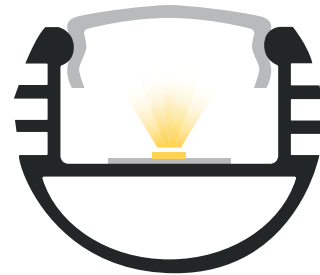
Product code: 868102
EAN code: 5904996207366

PROFILE TYPE	LED TAPE WIDTH
bar	up to 12 mm
COLOUR VERSIONS	LENGTH
silver anodised painted in white painted in black anthracite grey others - on demand	1000 mm 2000 mm 3000 mm 4000-6000 mm (on demand)

TECHNICAL DRAWING WITH DIMENSIONS



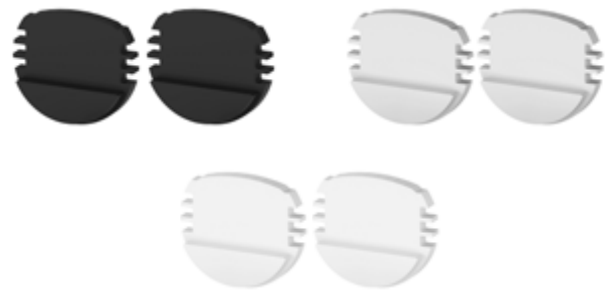
INSTALLATION INSTRUCTIONS



COVERS (CLICK-FIT)

C1			<input type="radio"/> <input type="radio"/> <input type="radio"/> <input type="radio"/> <input type="radio"/>
C4			<input type="radio"/>
C11			<input type="radio"/> <input type="radio"/> <input type="radio"/> <input type="radio"/> <input type="radio"/>
C13			<input type="radio"/> <input type="radio"/> <input type="radio"/> <input type="radio"/> <input checked="" type="radio"/> <input type="radio"/>
C22			<input type="radio"/>

END CAPS



plastic end caps P8-1+C1/C4

INSTALLATION



brackets

P8-1





P9-1

Product code: 869102
 EAN code: 5904996207427

PROFILE TYPE

surface

LED TAPE WIDTH

up to 12 mm

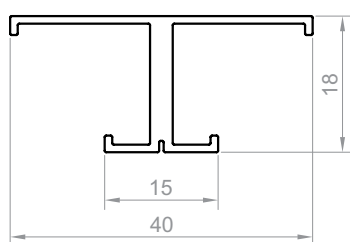
COLOUR VERSIONS

silver anodised
 painted in white
 painted in black
 anthracite grey
 others - on demand

LENGTH

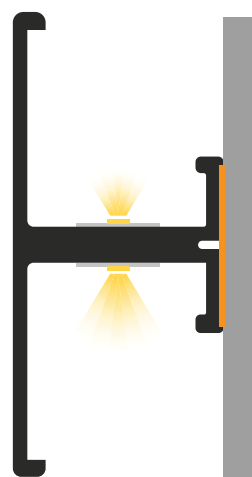
1000 mm
 2000 mm
 3000-6000 mm
 (on demand)

TECHNICAL DRAWING WITH DIMENSIONS



1:1

INSTALLATION INSTRUCTIONS



 TESA tape

INSTALLATION



assembly tape

P9-1





P10-1

Product code: 8610102
 EAN code: 5904996203498

PROFILE TYPE

glass

LED TAPE WIDTH

up to 12 mm

COLOUR VERSIONS

silver anodised
 painted in white
 painted in black
 anthracite grey
 others - on demand

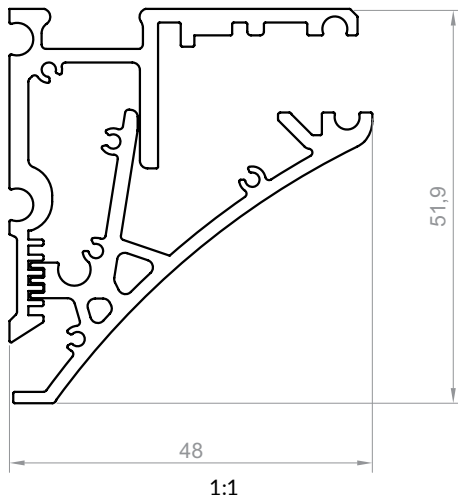
LENGTH

1000 mm
 2000 mm
 3000-6000 mm
 (on demand)

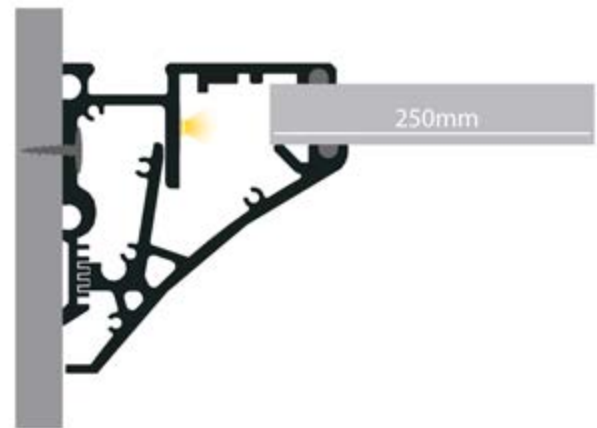
FITS GLASS THICKNESSES

6 mm
 8 mm
 10 mm

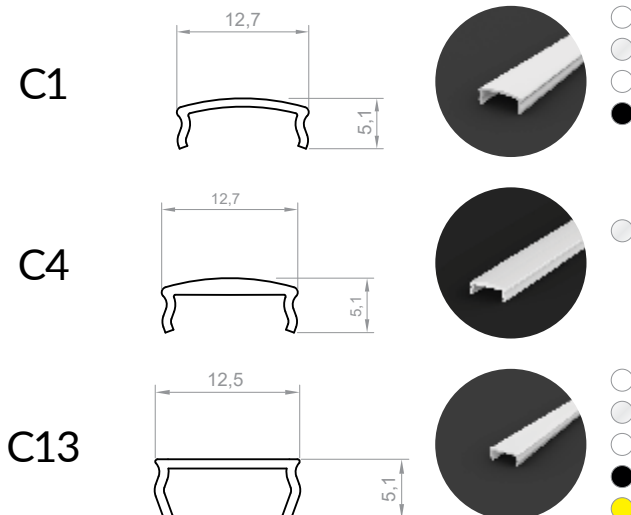
TECHNICAL DRAWING WITH DIMENSIONS



INSTALLATION INSTRUCTIONS



COVERS (CLICK-FIT)

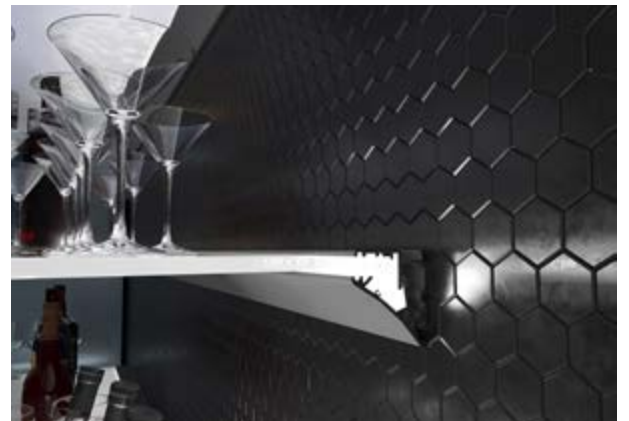
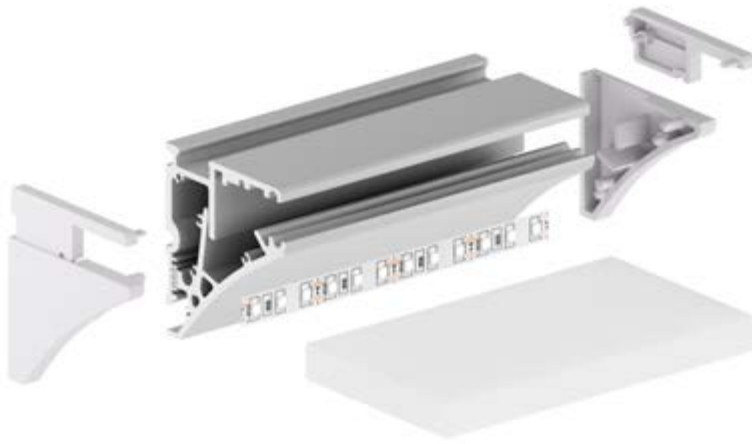


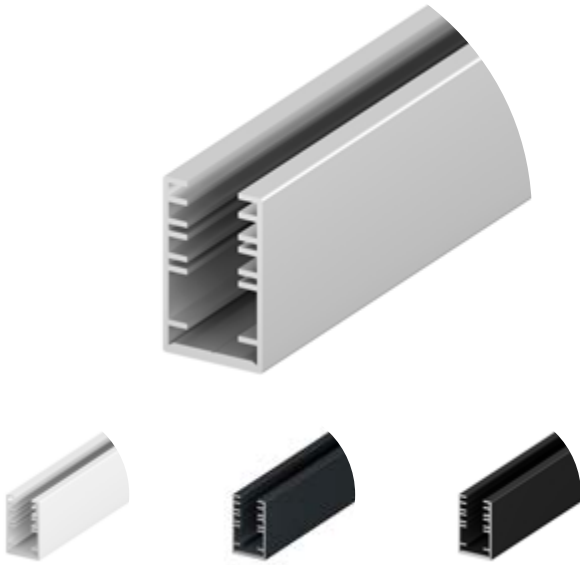
END CAPS



plastic end caps P10-1+C13

P10-1





P10-3

Product code: 8610302
 EAN code: 5904996208431

PROFILE TYPE

glass

LED TAPE WIDTH

up to 12 mm

COLOUR VERSIONS

silver anodised
 painted in white
 painted in black
 anthracite grey
 others - on demand

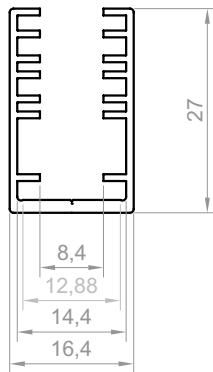
LENGTH

1000 mm
 2000 mm
 3000-6000 mm
 (on demand)

FITS GLASS THICKNESSES

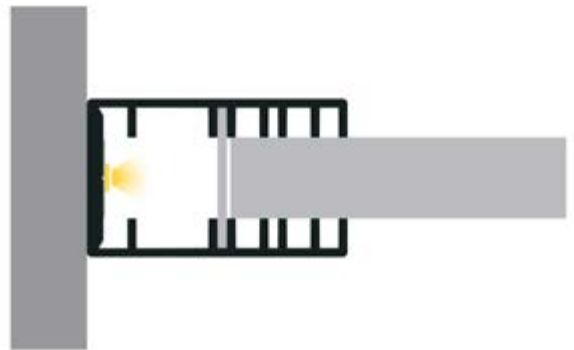
8 mm

TECHNICAL DRAWING WITH DIMENSIONS



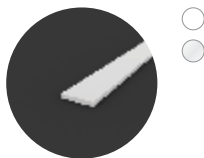
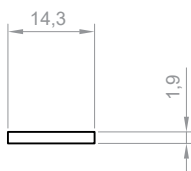
1:1

INSTALLATION INSTRUCTIONS



COVERS (SLIP-IN)

C20



END CAPS



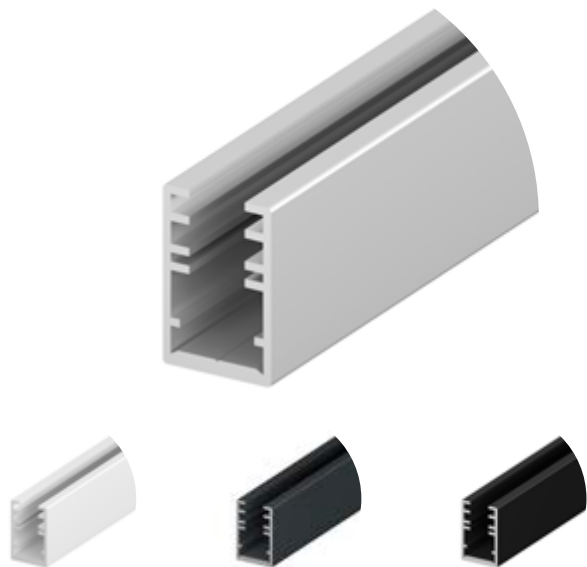
plastic end caps P10-3 full



plastic end caps P10-3 with glass

P10-3



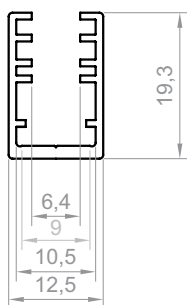


P10-4

Product code: 8610402
EAN code: 5904996208493

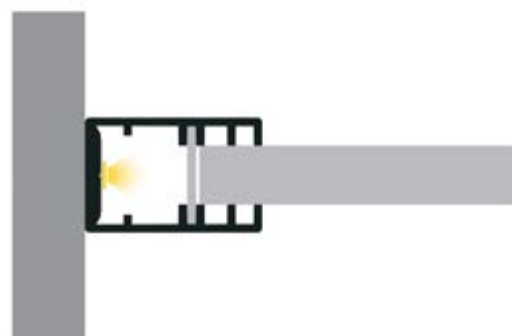
PROFILE TYPE	LED TAPE WIDTH
glass	up to 10 mm
COLOUR VERSIONS	LENGTH
silver anodised painted in white painted in black anthracite grey others - on demand	1000 mm 2000 mm 3000-6000 mm (on demand)
FITS GLASS THICKNESSES	
6 mm	

TECHNICAL DRAWING WITH DIMENSIONS



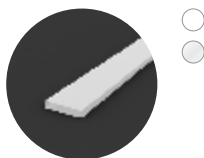
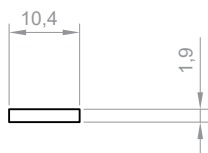
1:1

INSTALLATION INSTRUCTIONS



COVERS (SLIP-IN)

C19



END CAPS



plastic end caps P10-4 full



plastic end caps P10-4 with glass

P10-4





P10-6

Product code: 8610602
 EAN code: 5904996214517

PROFILE TYPE

glass

LED TAPE WIDTH

up to 12 mm

COLOUR VERSIONS

silver anodised
 painted in white
 painted in black
 anthracite grey
 others - on demand

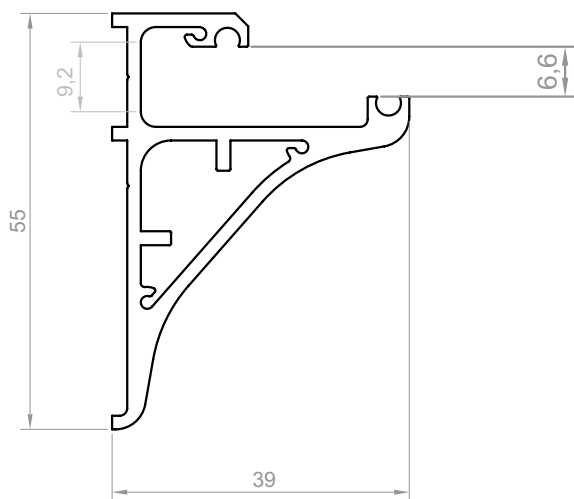
LENGTH

1000 mm
 2000 mm
 3000 mm
 4000-6000 mm
 (on demand)

FITS GLASS THICKNESSES

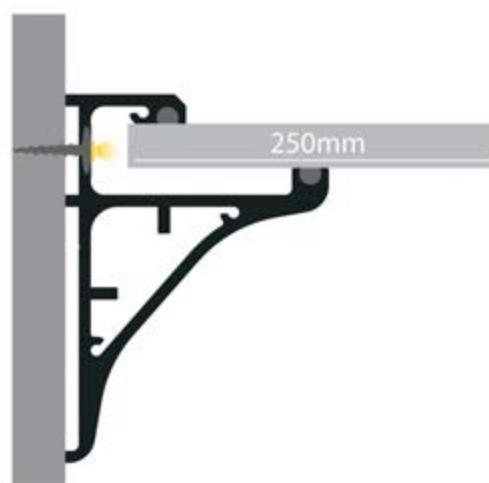
6 mm

TECHNICAL DRAWING WITH DIMENSIONS



1:1

INSTALLATION INSTRUCTIONS

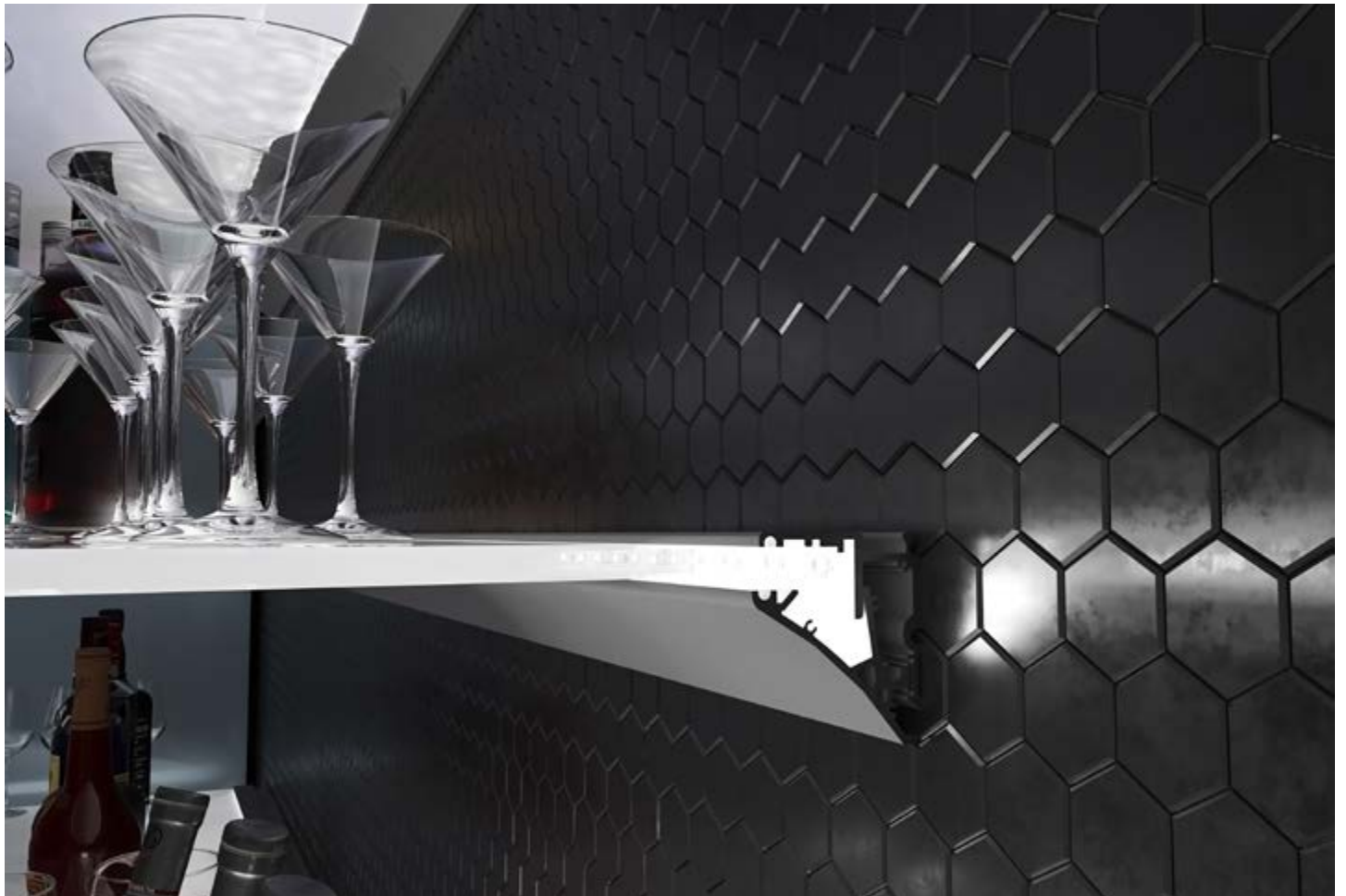
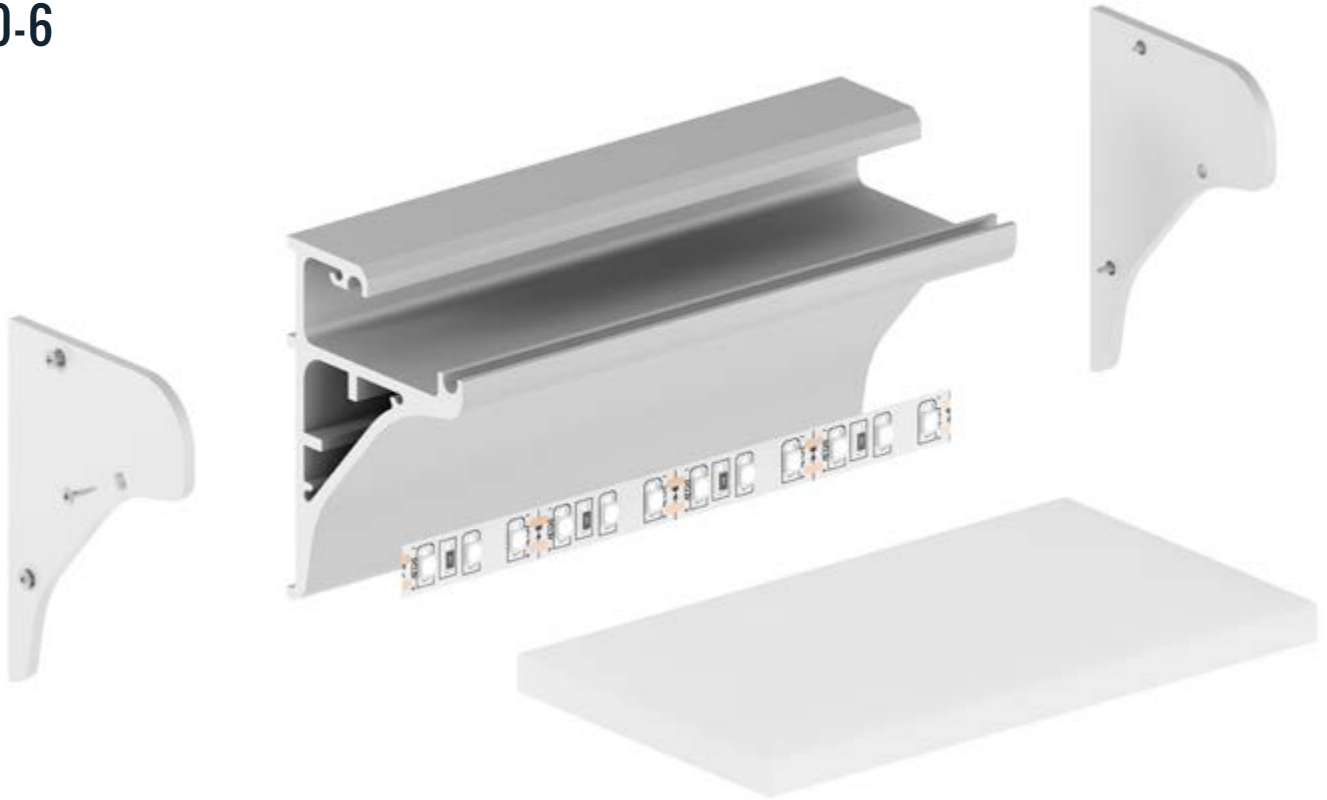


END CAPS



aluminium end caps P10-6 with screws

P10-6





P10-8

Product code: 8610802

EAN code: 5904996214531

PROFILE TYPE

glass

LED TAPE WIDTH

up to 12 mm

COLOUR VERSIONS

silver anodised
 painted in white
 painted in black
 anthracite grey
 others - on demand

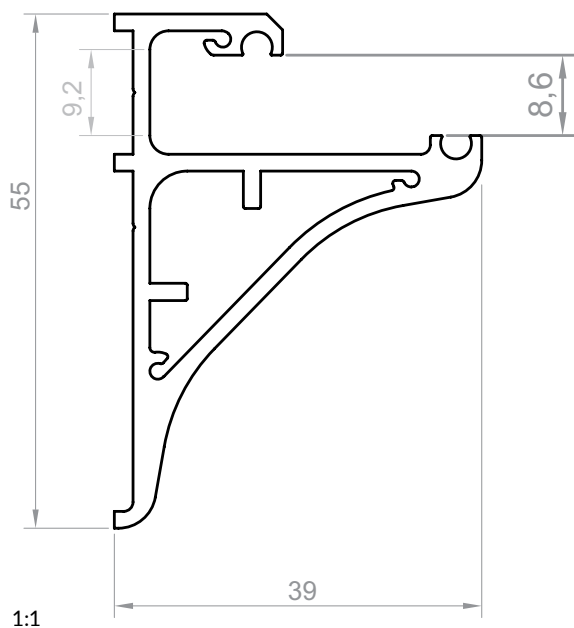
LENGTH

1000 mm
 2000 mm
 3000 mm
 4000-6000 mm
 (on demand)

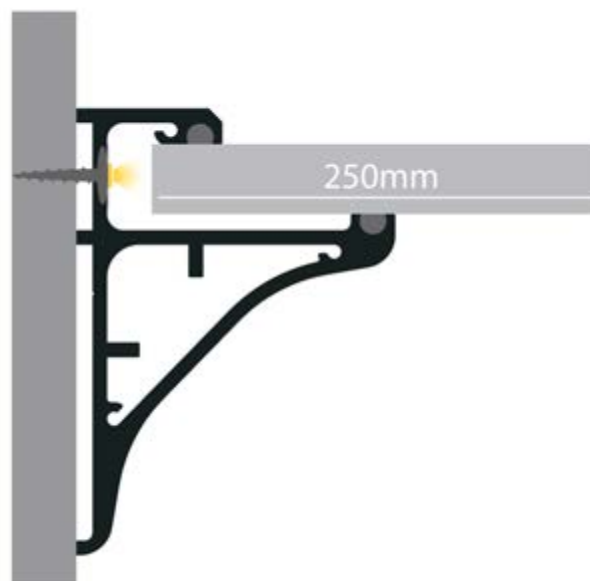
FITS GLASS THICKNESSES

8 mm

TECHNICAL DRAWING WITH DIMENSIONS



INSTALLATION INSTRUCTIONS

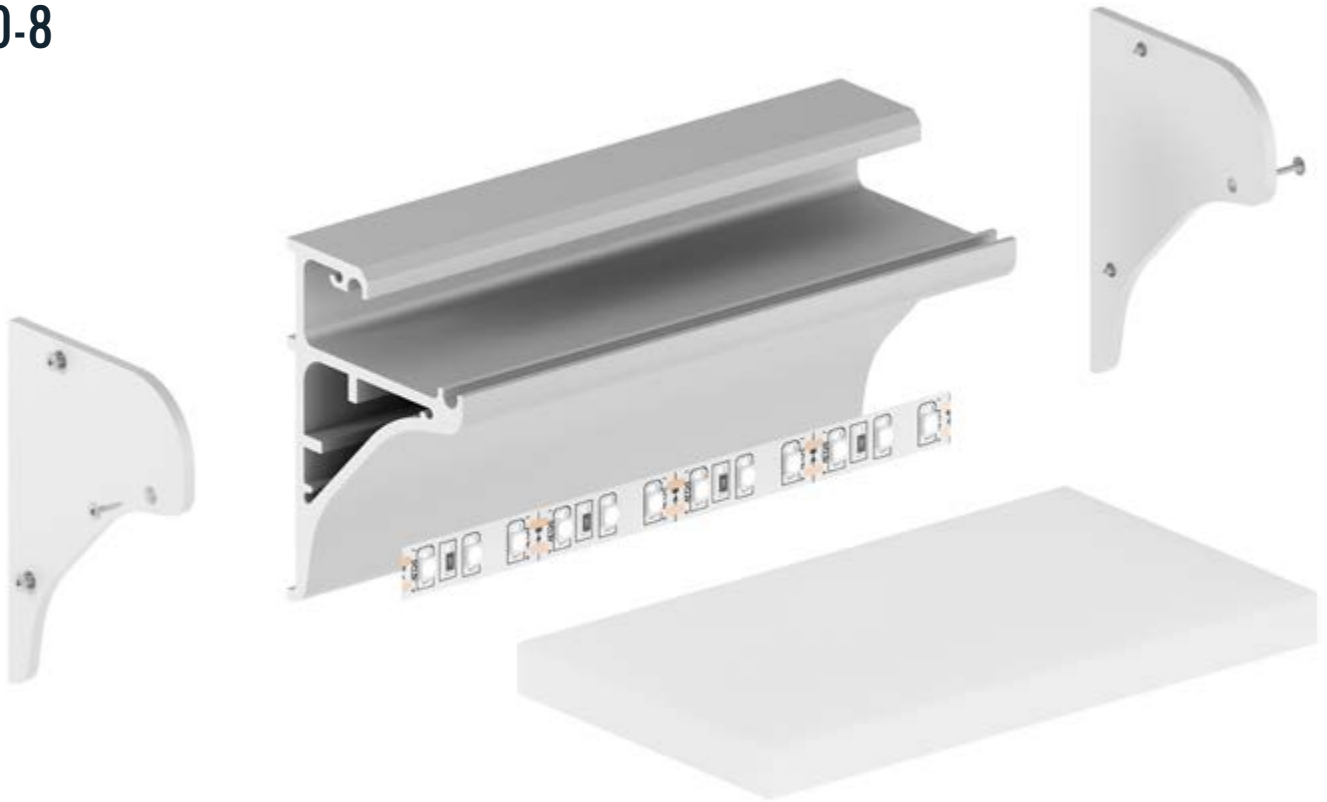


END CAPS



aluminium end caps P10-8 with screws

P10-8





P10-10

Product code: 86101002
EAN code: 5904996214555

PROFILE TYPE

glass

LED TAPE WIDTH

up to 12 mm

COLOUR VERSIONS

silver anodised
painted in white
painted in black
anthracite grey
others - on demand

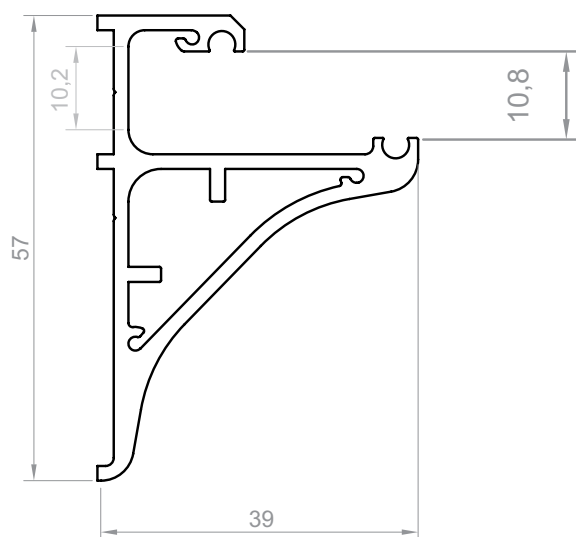
LENGTH

1000 mm
2000 mm
3000 mm
4000-6000 mm
(on demand)

FITS GLASS THICKNESSES

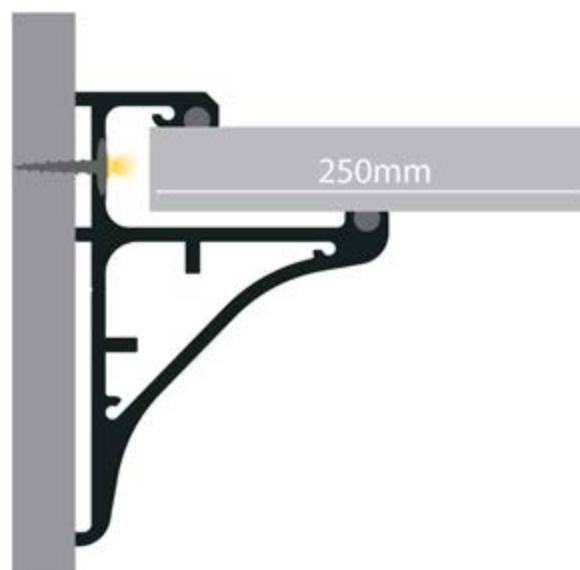
10 mm

TECHNICAL DRAWING WITH DIMENSIONS



1:1

INSTALLATION INSTRUCTIONS

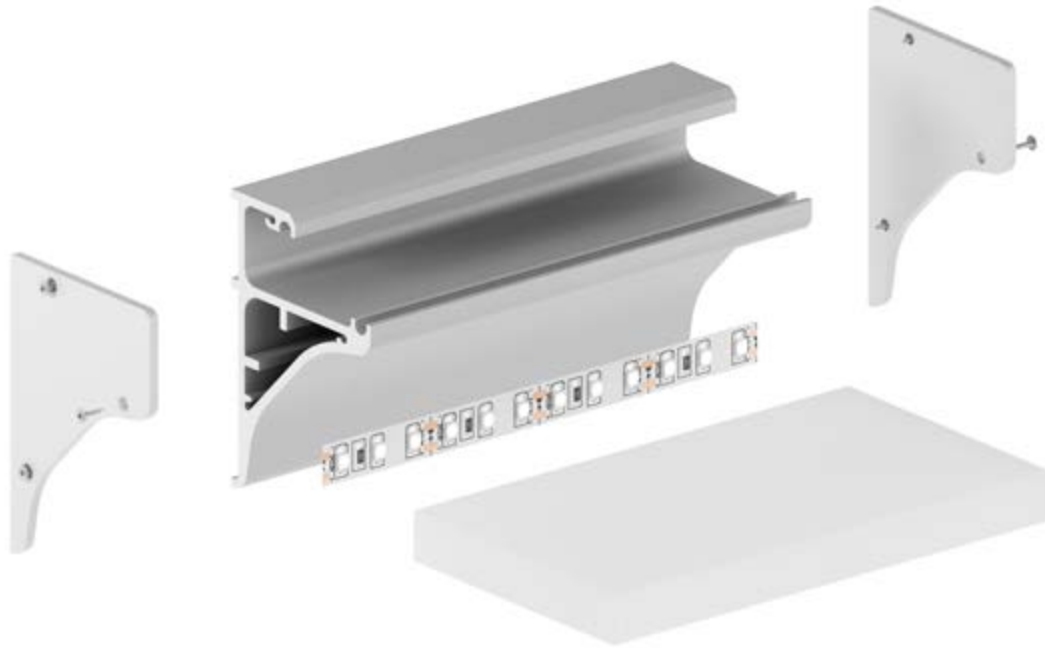


END CAPS



aluminium end caps P10-10 with screws

P10-10





P12-1

Product code: 8612102
 EAN code: 5904996203771

PROFILE TYPE

corner

LED TAPE WIDTH

up to 3x8 mm
 up to 2x12 mm

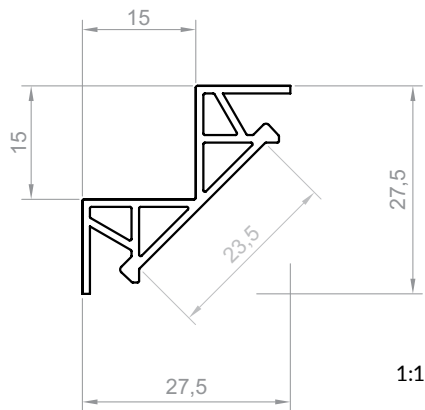
COLOUR VERSIONS

silver anodised
 painted in white
 painted in black
 anthracite grey
 others - on demand

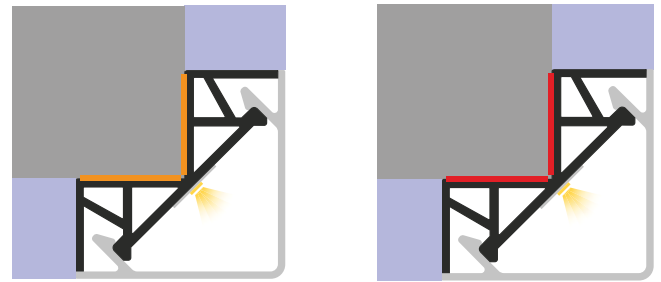
LENGTH

1000 mm
 2000 mm
 3000 mm
 4000-6000 mm
 (on demand)

TECHNICAL DRAWING WITH DIMENSIONS



INSTALLATION INSTRUCTIONS

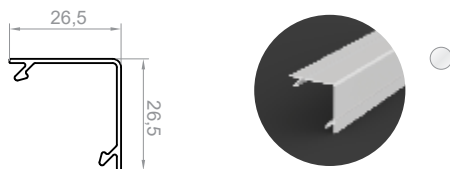


 TESA tape

 glue

COVERS (CLICK-FIT)

C12



END CAPS



aluminium end caps P12-1+C12 with screws

INSTALLATION

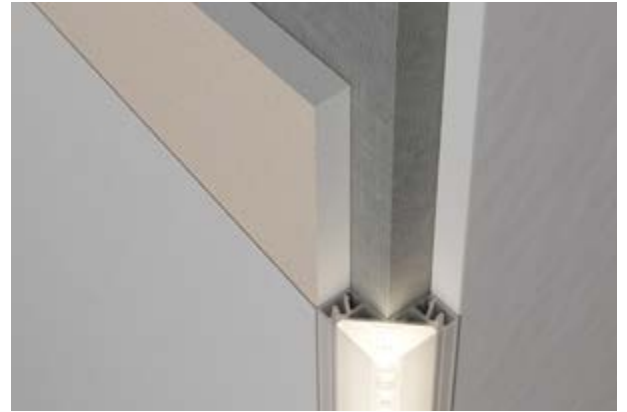


assembly tape



glue

P12-1



P13-1

Product code: 8613102
 EAN code: 5904996203795

PROFILE TYPE

surface

LED TAPE WIDTH

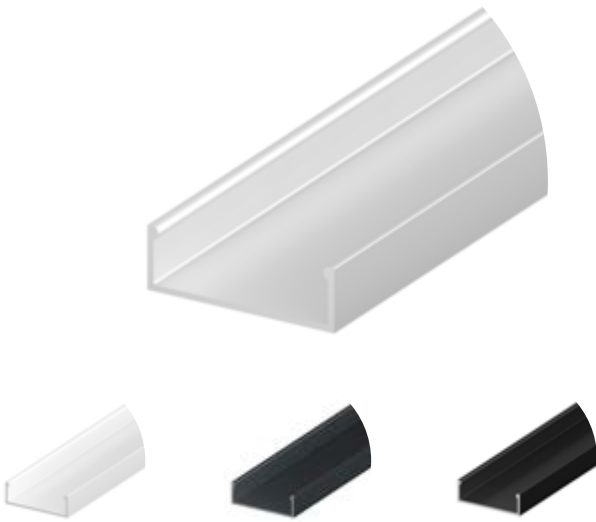
up to 3x8 mm
 up to 2x12 mm

COLOUR VERSIONS

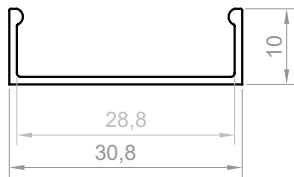
silver anodised
 painted in white
 painted in black
 anthracite grey
 others - on demand

LENGTH

1000 mm
 2000 mm
 3000 mm
 4000-6000 mm
 (on demand)



TECHNICAL DRAWING WITH DIMENSIONS



1:1

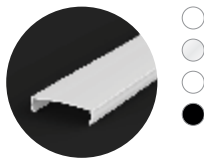
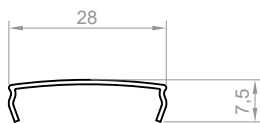
INSTALLATION INSTRUCTIONS



 TESA tape

COVERS (CLICK-FIT)

C2



END CAPS



plastic end caps P13-1+C2

INSTALLATION

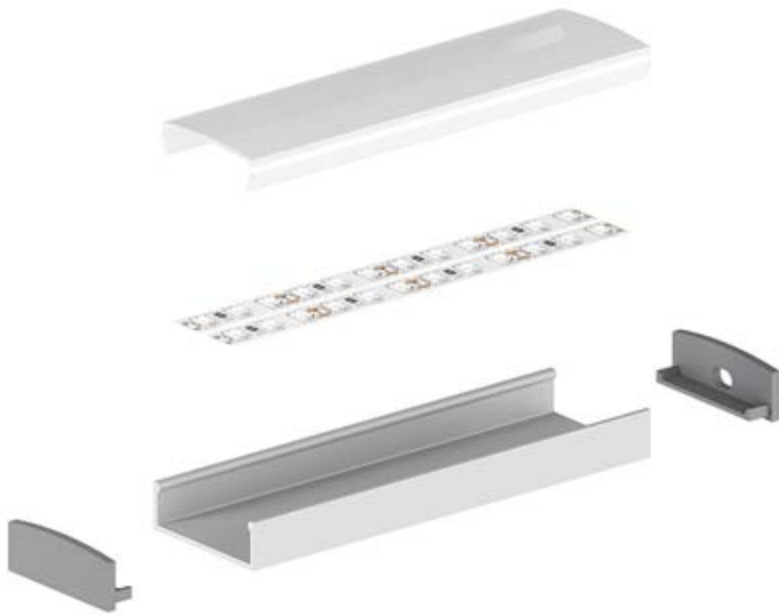


plastic clip



assembly tape

P13-1



P13-2

Product code: 8613202
EAN code: 5904996203894

PROFILE TYPE

surface

LED TAPE WIDTH

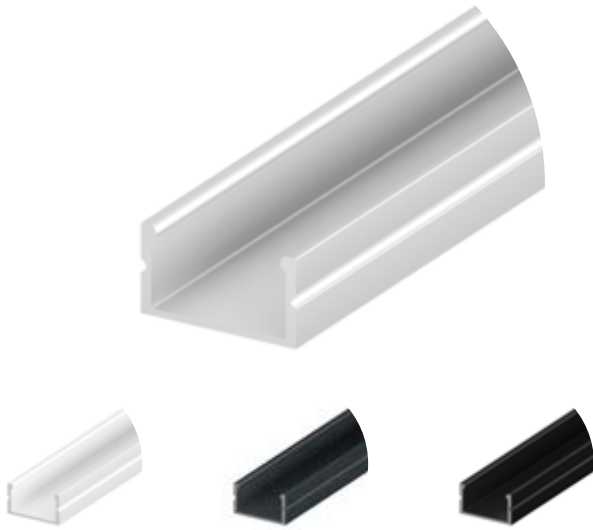
up to 2x8 mm
up to 1x12 mm

COLOUR VERSIONS

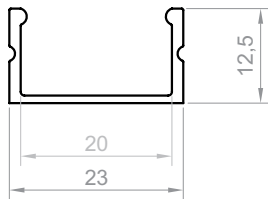
silver anodised
painted in white
painted in black
anthracite grey
others - on demand

LENGTH

1000 mm
2000 mm
3000 mm
4000-6000 mm
(on demand)



TECHNICAL DRAWING WITH DIMENSIONS



1:1

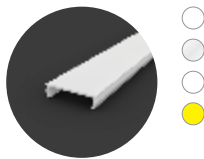
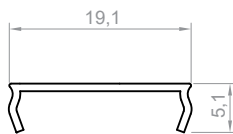
INSTALLATION INSTRUCTIONS



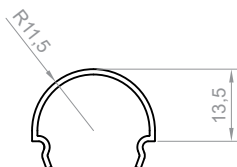
 TESA tape

COVERS (CLICK-FIT)

C15



C23



END CAPS



plastic end caps P13-2+C15



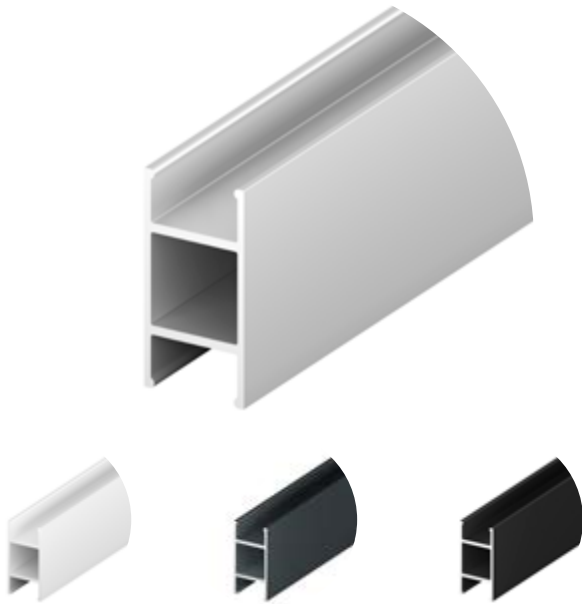
plastic end caps P13-2+C23

INSTALLATION



P13-2





P13-10

Product code: 86131002
EAN code: 5904996208554

PROFILE TYPE

surface

LED TAPE WIDTH

up to 2x8 mm
up to 1x12 mm

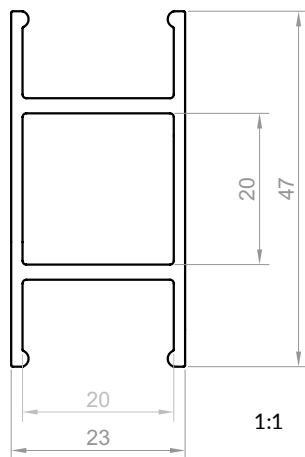
COLOUR VERSIONS

silver anodised
painted in white
painted in black
anthracite grey
others - on demand

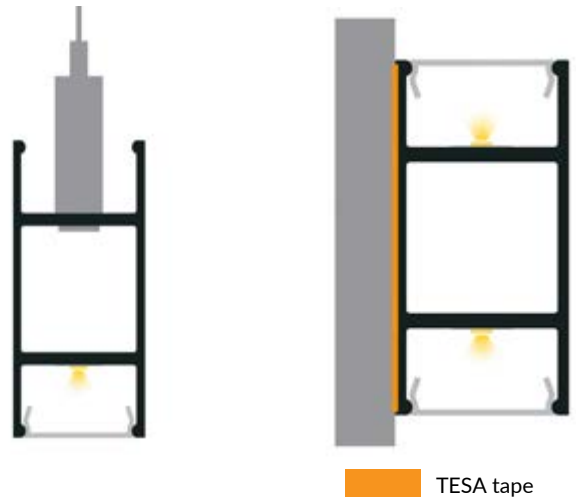
LENGTH

1000 mm
2000 mm
3000 mm
4000-6000 mm
(on demand)

TECHNICAL DRAWING WITH DIMENSIONS

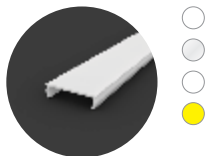
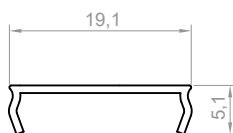


INSTALLATION INSTRUCTIONS



COVERS (CLICK-FIT)

C15



END CAPS



plastic end caps P13-10+C15

INSTALLATION



black

silver

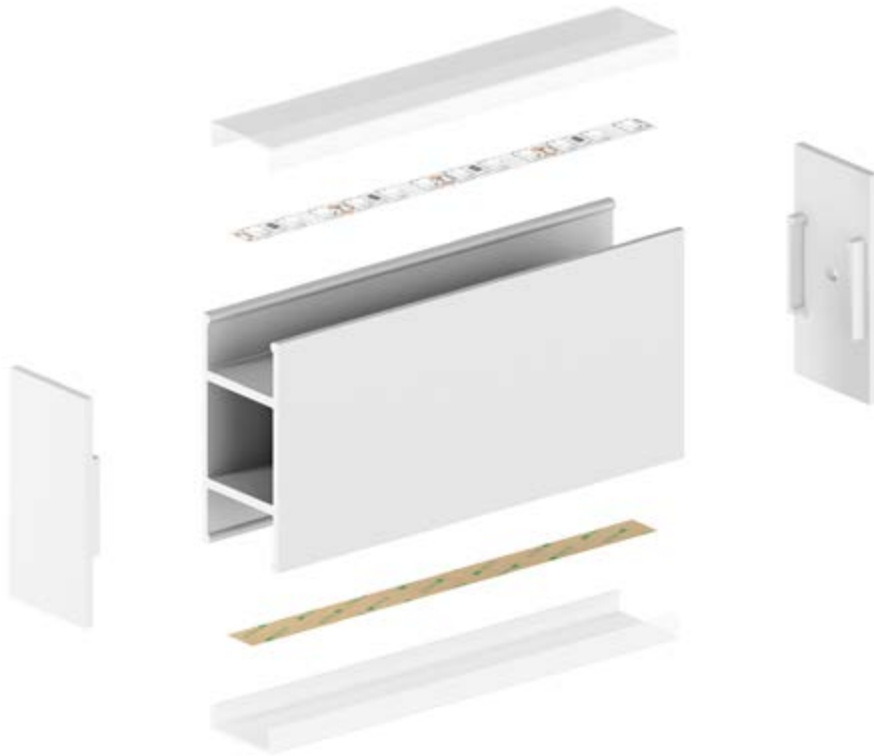
white

suspension cords



assembly tape

P13-10



P14-1

Product code: 8614102
 EAN code: 5904996203979

PROFILE TYPE

recessed

LED TAPE WIDTH

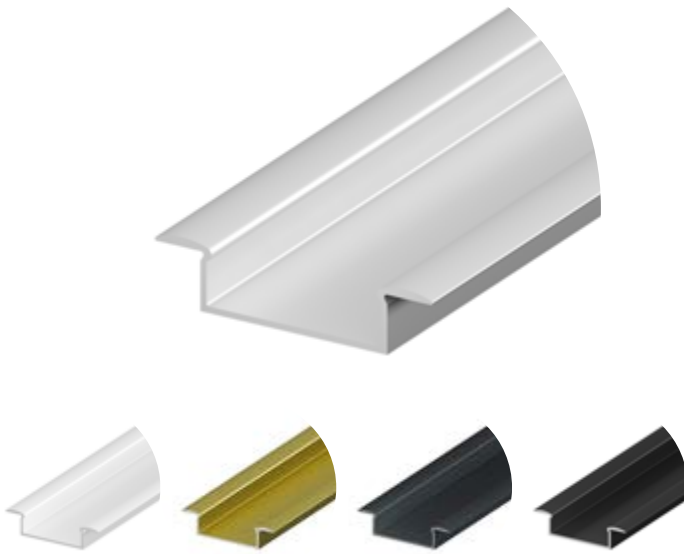
up to 3x8 mm
 up to 2x12 mm

COLOUR VERSIONS

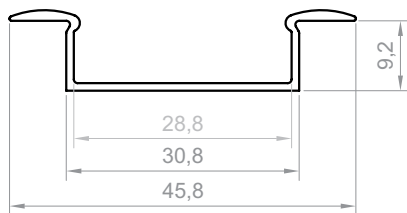
silver anodised
 painted in white
 painted in gold
 painted in black
 anthracite grey
 others - on demand

LENGTH

1000 mm
 2000 mm
 3000 mm
 4000-6000 mm
 (on demand)

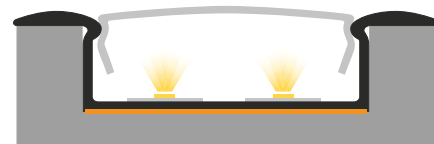


TECHNICAL DRAWING WITH DIMENSIONS

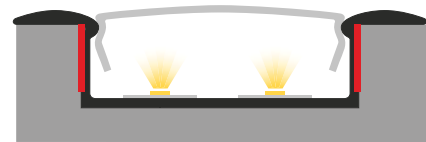


1:1

INSTALLATION INSTRUCTIONS



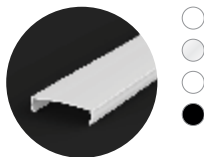
TESA tape



glue

COVERS (CLICK-FIT)

C2



END CAPS

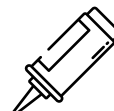


plastic end caps P14-1+C2

INSTALLATION

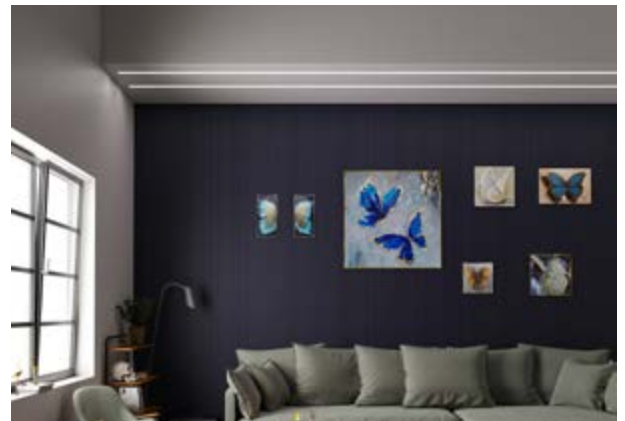
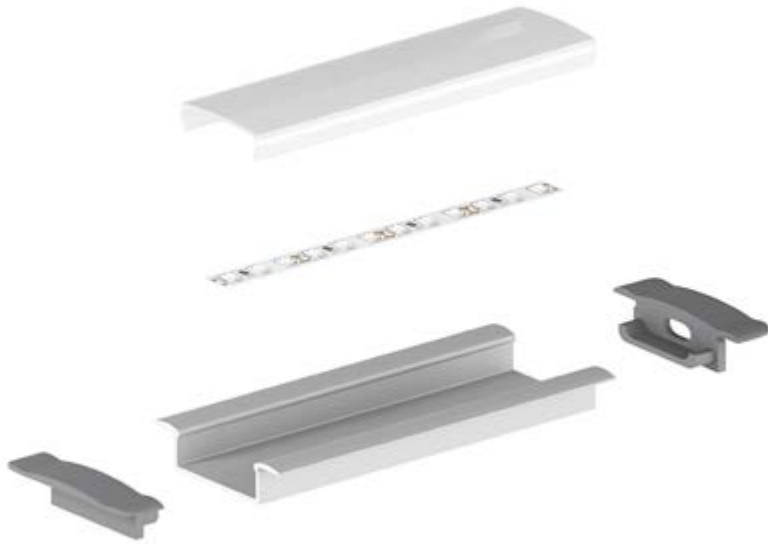


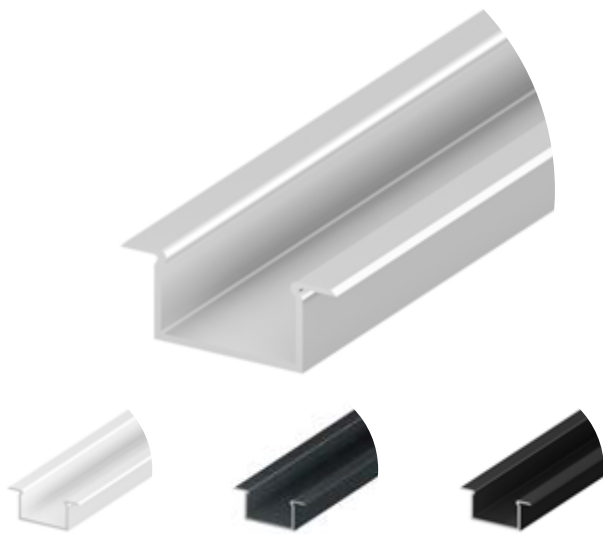
assembly tape



glue

P14-1





P14-2

Product code: 8614202

EAN code: 5904996204075

PROFILE TYPE

recessed

LED TAPE WIDTH

up to 2x8 mm
up to 1x12 mm

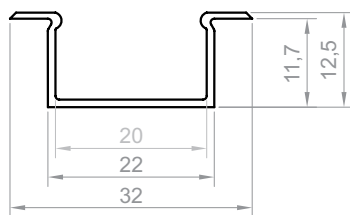
COLOUR VERSIONS

silver anodised
painted in white
painted in black
anthracite grey
others - on demand

LENGTH

1000 mm
2000 mm
3000 mm
4000-6000 mm
(on demand)

TECHNICAL DRAWING WITH DIMENSIONS



1:1

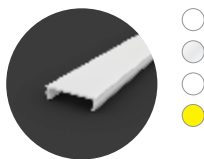
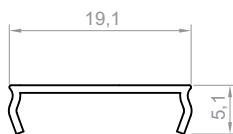
INSTALLATION INSTRUCTIONS


 TESA tape

 glue

COVERS (CLICK-FIT)

C15



END CAPS



plastic end caps P14-2+C15

INSTALLATION



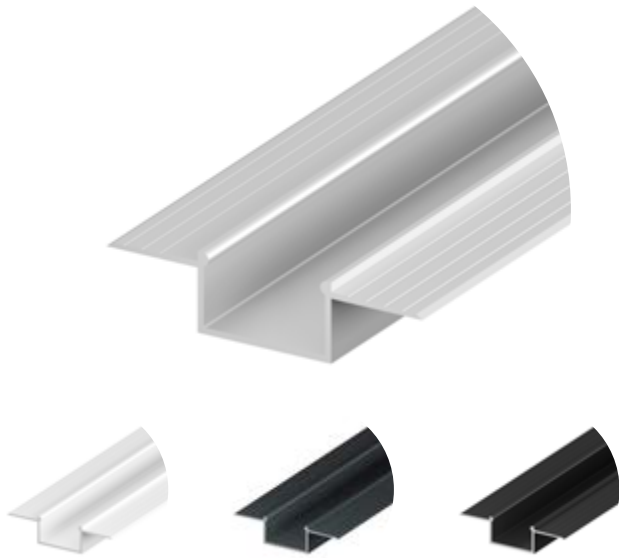
assembly tape



glue

P14-2





P14-3

Product code: 8614302

EAN code: 5904996204143

PROFILE TYPE

recessed

LED TAPE WIDTH

up to 2x8 mm
up to 1x12 mm

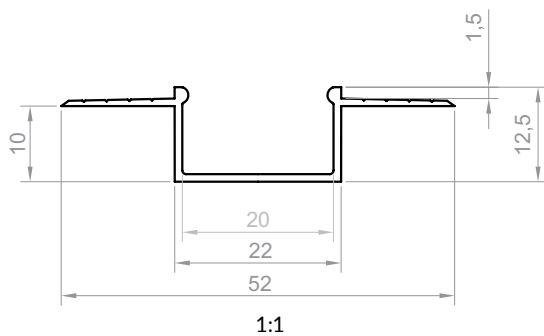
COLOUR VERSIONS

silver anodised
painted in white
painted in black
anthracite grey
others - on demand

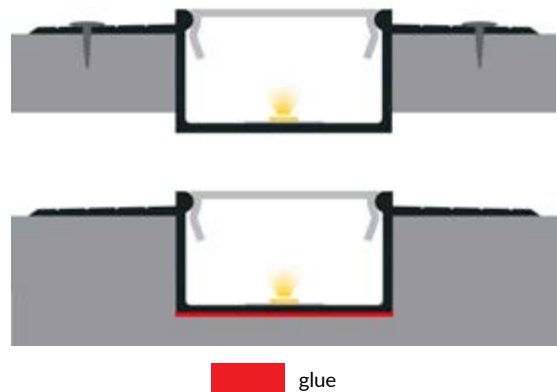
LENGTH

1000 mm
2000 mm
3000 mm
4000-6000 mm
(on demand)

TECHNICAL DRAWING WITH DIMENSIONS

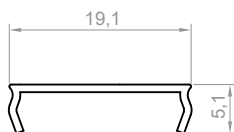


INSTALLATION INSTRUCTIONS

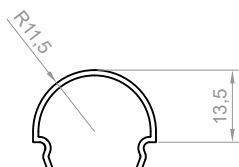

 glue

COVERS (CLICK-FIT)

C15



C23



END CAPS



plastic end caps P14-3+C15



plastic end caps P14-3+C23

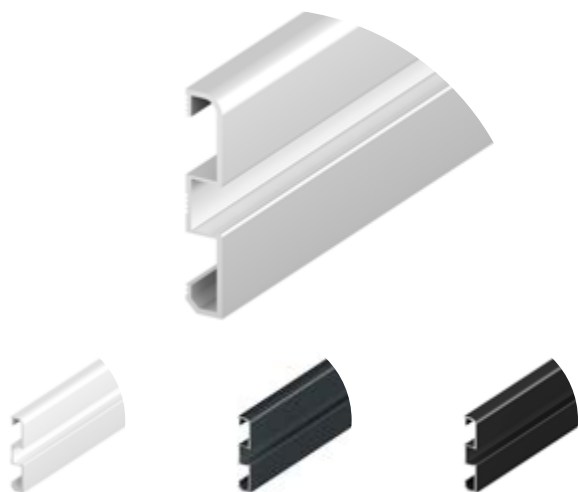
INSTALLATION



glue

P14-3



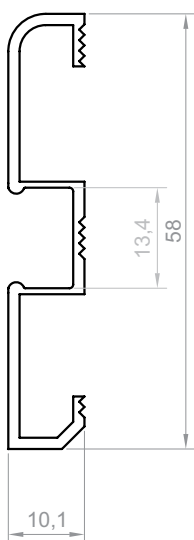


P15-1

Product code: 8615102
EAN code: 5904996204167

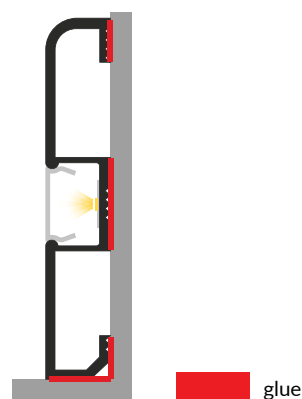
PROFILE TYPE	LED TAPE WIDTH
skirting board	up to 12 mm
COLOUR VERSIONS	LENGTH
painted in white painted in black anthracite grey others - on demand	1000 mm 2000 mm 3000 mm 4000-6000 mm (on demand)

TECHNICAL DRAWING WITH DIMENSIONS



1:1

INSTALLATION INSTRUCTIONS



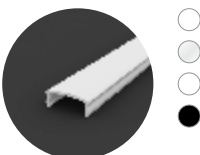
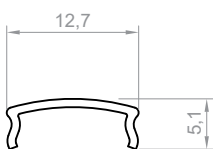
END CAPS



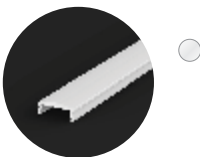
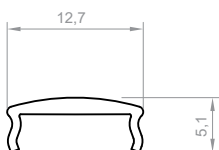
plastic end caps P15-1+C13

COVERS (CLICK-FIT)

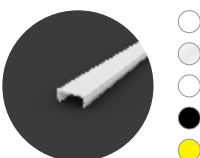
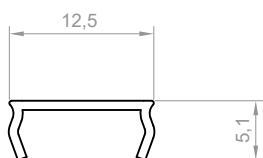
C1



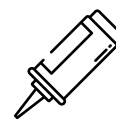
C4



C13



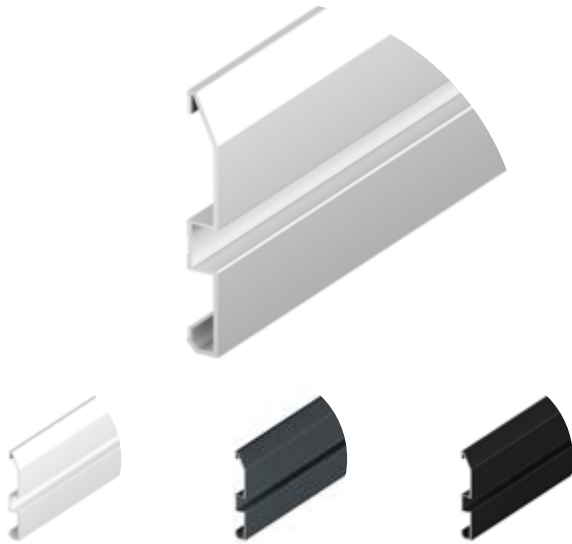
INSTALLATION



glue

P15-1





P16-1

Product code: 8616102
EAN code: 5904996204181

PROFILE TYPE

skirting board

LED TAPE WIDTH

up to 12 mm

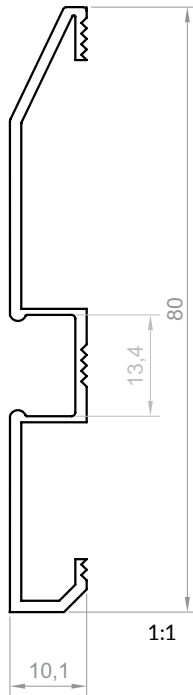
COLOUR VERSIONS

painted in white
 painted in black
 anthracite grey
 others - on demand

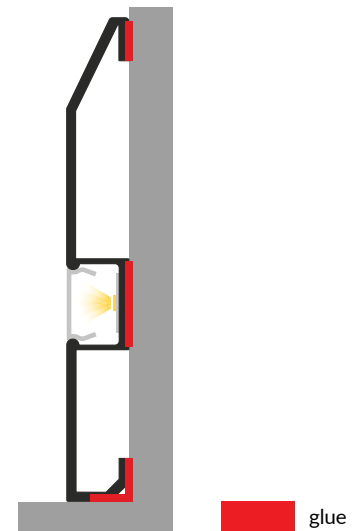
LENGTH

1000 mm
 2000 mm
 3000 mm
 4000-6000 mm
 (on demand)

TECHNICAL DRAWING WITH DIMENSIONS



INSTALLATION INSTRUCTIONS

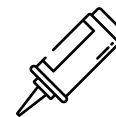


END CAPS



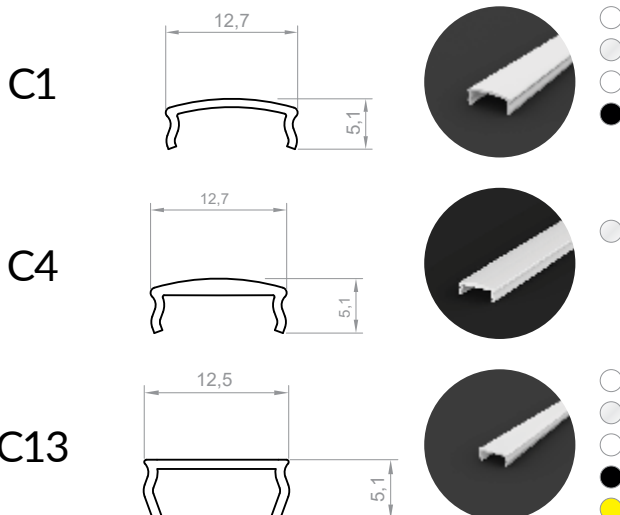
plastic end caps P16-1+C13

INSTALLATION



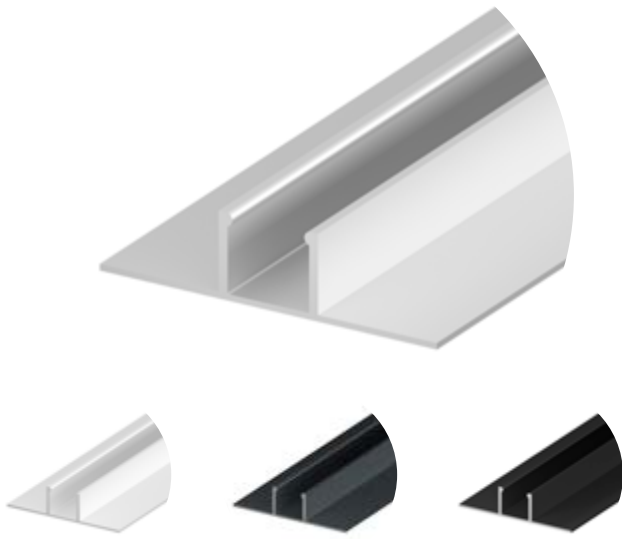
glue

COVERS (CLICK-FIT)



P16-1





P17-1

Product code: 8617102
EAN code: 5904996204204

PROFILE TYPE

recessed

LED TAPE WIDTH

up to 12 mm

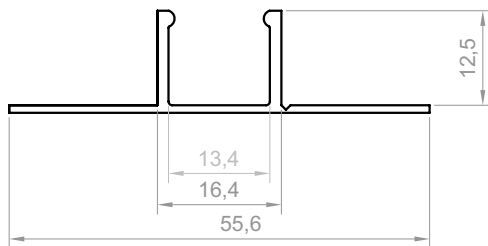
COLOUR VERSIONS

silver anodised
painted in white
painted in black
anthracite grey
others - on demand

LENGTH

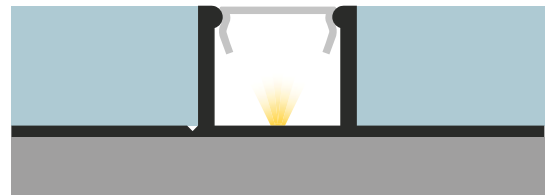
1000 mm
2000 mm
3000 mm
4000-6000 mm
(on demand)

TECHNICAL DRAWING WITH DIMENSIONS



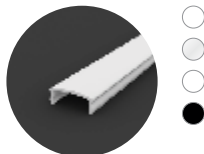
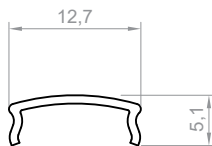
1:1

INSTALLATION INSTRUCTIONS

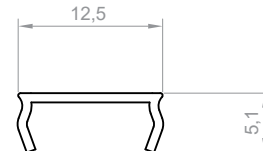


COVERS (CLICK-FIT)

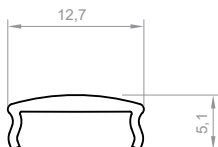
C1



C13



C4



P17-1





P17-2

Product code: 8617202
EAN code: 5904996204266

PROFILE TYPE

recessed

LED TAPE WIDTH

up to 12 mm

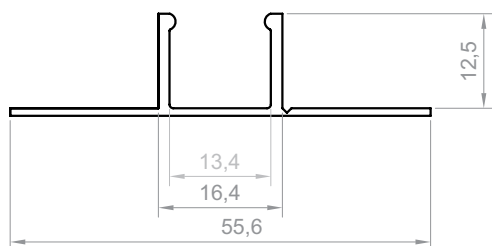
COLOUR VERSIONS

silver anodised
painted in white
painted in black
anthracite grey
others - on demand

LENGTH

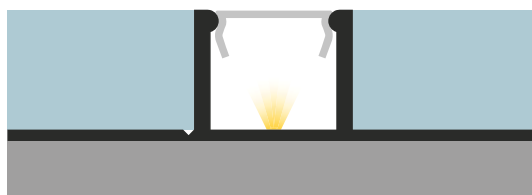
1000 mm
2000 mm
3000 mm
4000-6000 mm
(on demand)

TECHNICAL DRAWING WITH DIMENSIONS



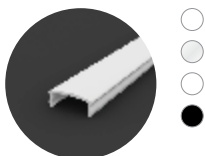
1:1

INSTALLATION INSTRUCTIONS

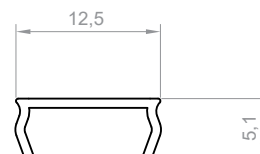


COVERS (CLICK-FIT)

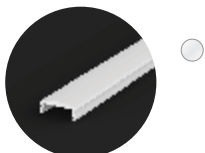
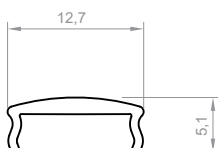
C1



C13

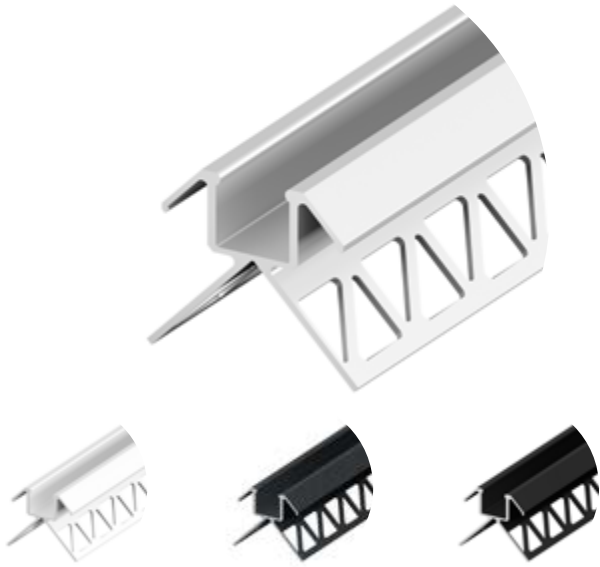


C4



P17-2





P17-3

Product code: 8617302
EAN code: 5904996208615

PROFILE TYPE

recessed

LED TAPE WIDTH

up to 12 mm

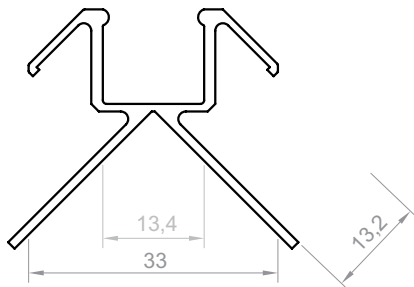
COLOUR VERSIONS

silver anodised
painted in white
painted in black
anthracite grey
others - on demand

LENGTH

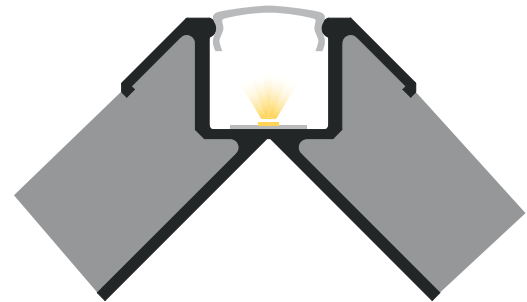
1000 mm
2000 mm
3000-6000 mm
(on demand)

TECHNICAL DRAWING WITH DIMENSIONS



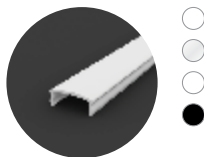
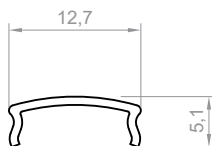
1:1

INSTALLATION INSTRUCTIONS

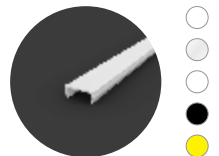
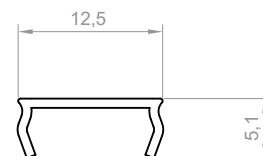


COVERS (CLICK-FIT)

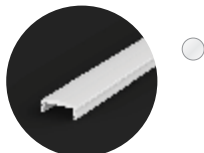
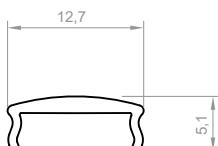
C1



C13



C4



P17-3





P17-4

Product code: 8617402
 EAN code: 5904996208639

PROFILE TYPE

recessed

LED TAPE WIDTH

up to 12 mm

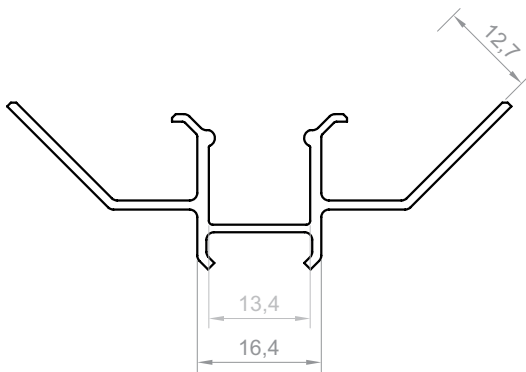
COLOUR VERSIONS

silver anodised
 painted in white
 painted in black
 anthracite grey
 others - on demand

LENGTH

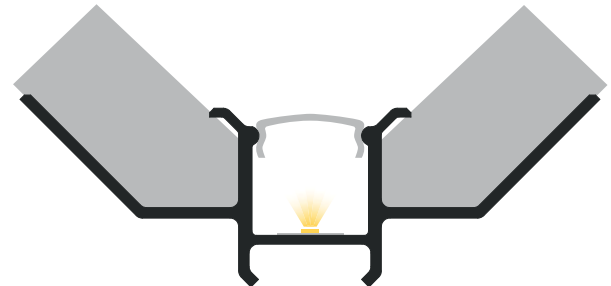
1000 mm
 2000 mm
 3000-6000 mm
 (on demand)

TECHNICAL DRAWING WITH DIMENSIONS



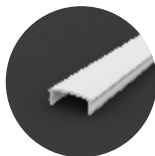
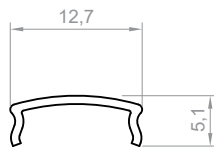
1:1

INSTALLATION INSTRUCTIONS

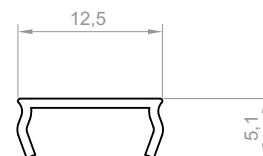


COVERS (CLICK-FIT)

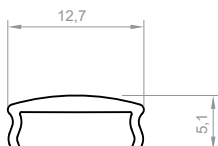
C1



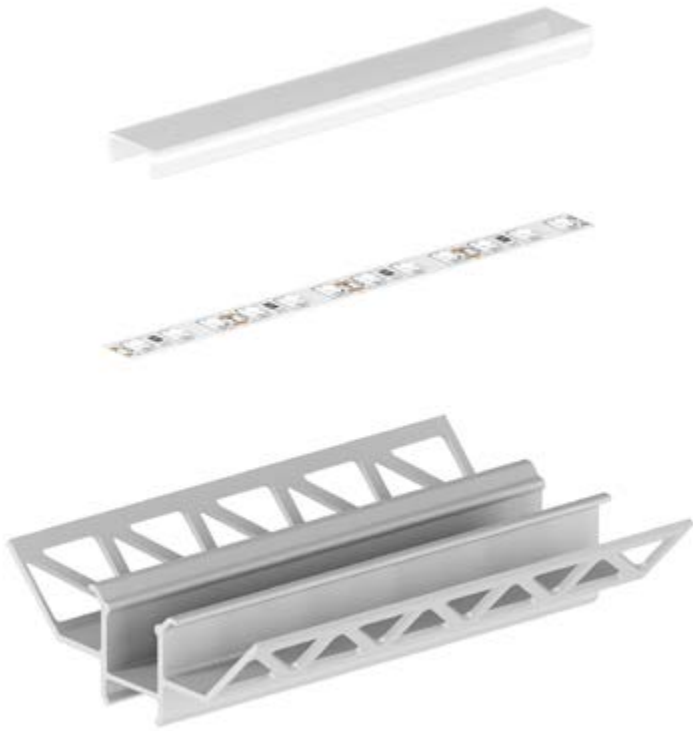
C13

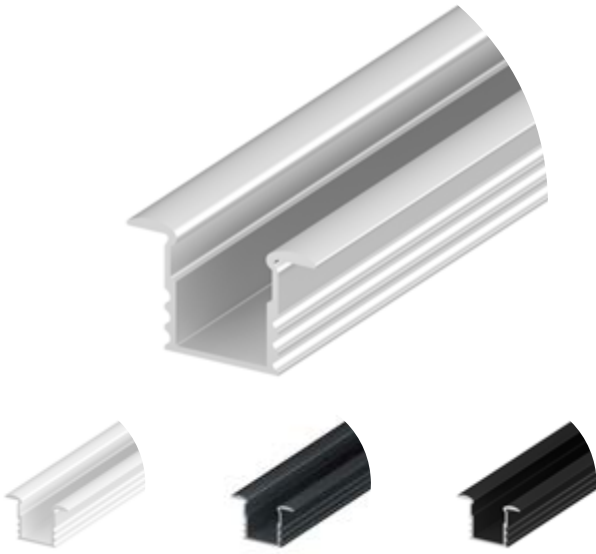


C4



P17-4



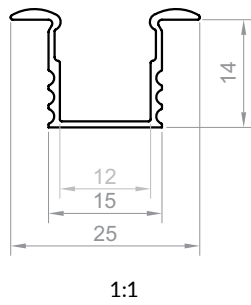


P18-1

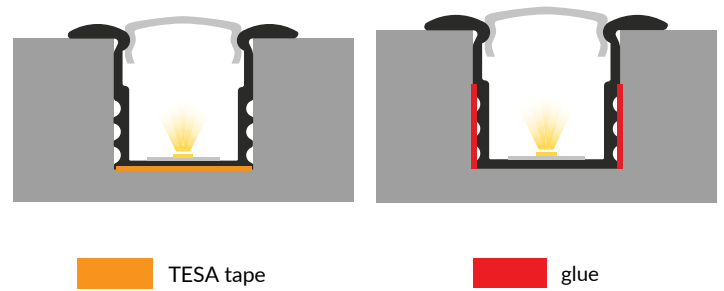
Product code: 8618102
EAN code: 5904996204280

PROFILE TYPE	LED TAPE WIDTH
recessed	up to 12 mm
COLOUR VERSIONS	LENGTH
silver anodised painted in white painted in black anthracite grey others - on demand	1000 mm 2000 mm 3000 mm 4000-6000 mm (on demand)

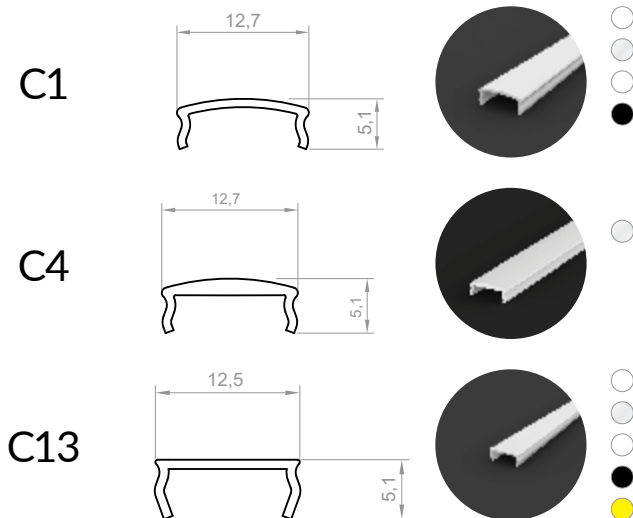
TECHNICAL DRAWING WITH DIMENSIONS



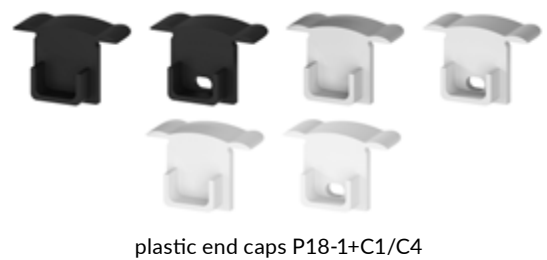
INSTALLATION INSTRUCTIONS



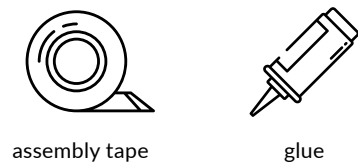
COVERS (CLICK-FIT)



END CAPS

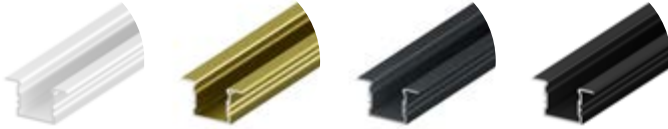
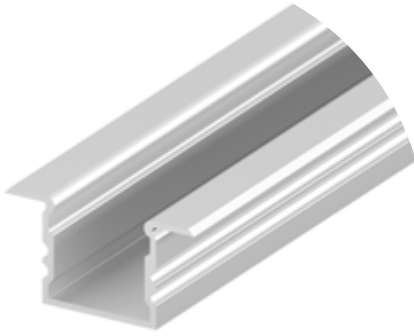


INSTALLATION



P18-1



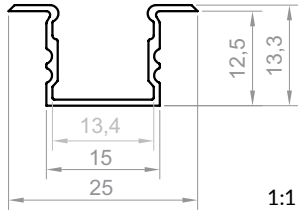


P18-2

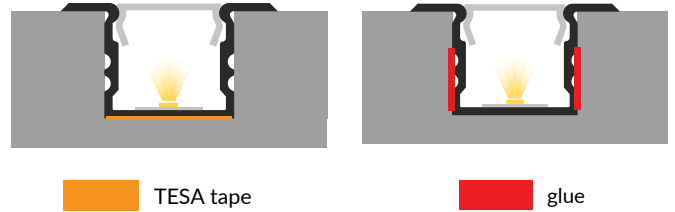
Product code: 8618202
EAN code: 5904996204402

PROFILE TYPE	LED TAPE WIDTH
recessed	up to 12 mm
COLOUR VERSIONS	LENGTH
silver anodised painted in white painted in gold painted in black anthracite grey others - on demand	1000 mm 2000 mm 3000 mm 4000-6000 mm (on demand)

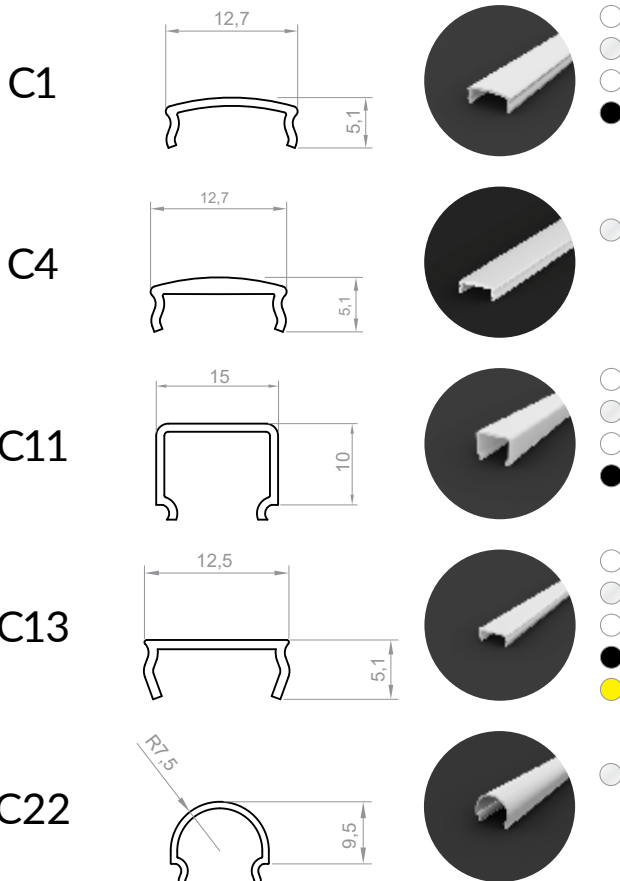
TECHNICAL DRAWING WITH DIMENSIONS



INSTALLATION INSTRUCTIONS



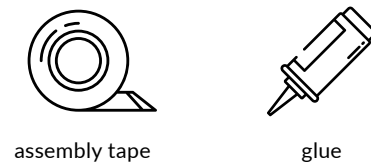
COVERS (CLICK-FIT)



END CAPS

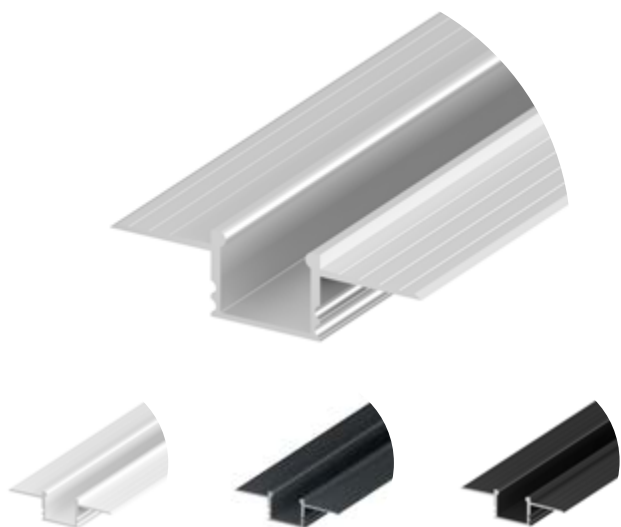


INSTALLATION



P18-2



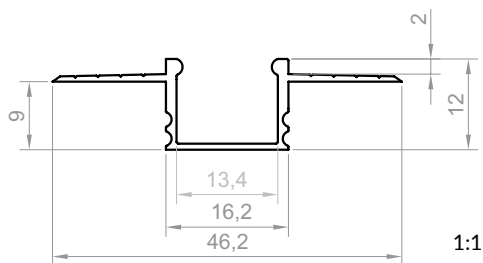


P18-3

Product code: 8618302
EAN code: 5904996204471

PROFILE TYPE	LED TAPE WIDTH
recessed	up to 12 mm
COLOUR VERSIONS	LENGTH
silver anodised painted in white painted in black anthracite grey others - on demand	1000 mm 2000 mm 3000 mm 4000-6000 mm (on demand)

TECHNICAL DRAWING WITH DIMENSIONS



INSTALLATION INSTRUCTIONS



COVERS (CLICK-FIT)

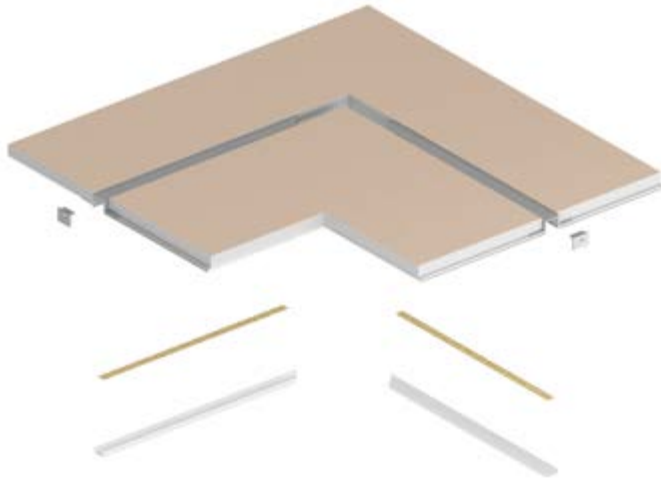
C1			
C4			
C11			
C13			
C22			

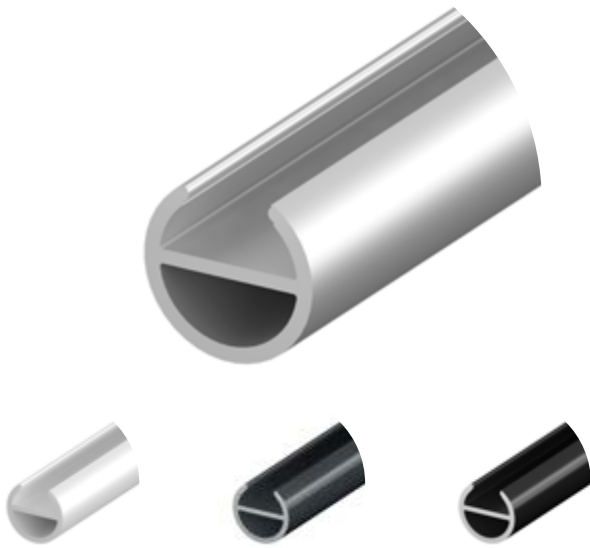
END CAPS

plastic end caps P18-3+C1/C4

plastic end caps P18-3+C13

P18-3



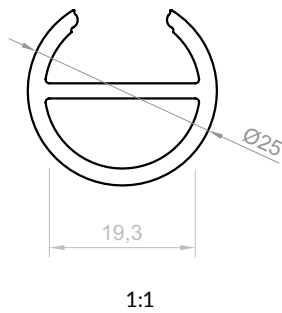


P19-1

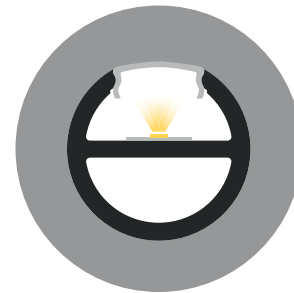
Product code: 8619102
EAN code: 5904996204532

PROFILE TYPE	LED TAPE WIDTH
bar	up to 12 mm
COLOUR VERSIONS	LENGTH
silver anodised painted in white painted in black anthracite grey others - on demand	1000 mm 2000 mm 3000 mm 4000-6000 mm (on demand)

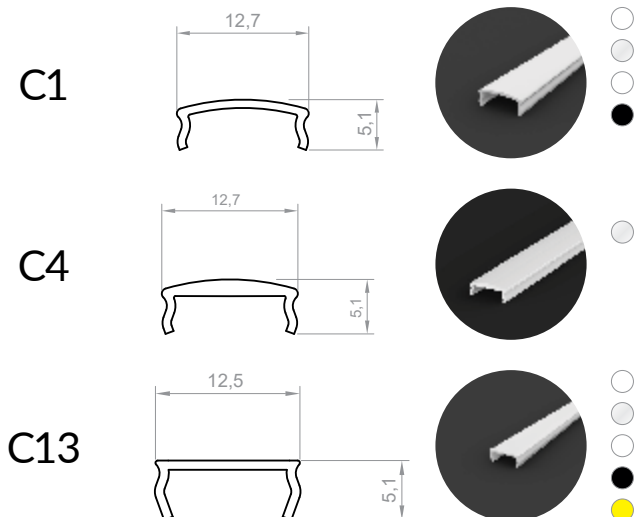
TECHNICAL DRAWING WITH DIMENSIONS



INSTALLATION INSTRUCTIONS



COVERS (CLICK-FIT)

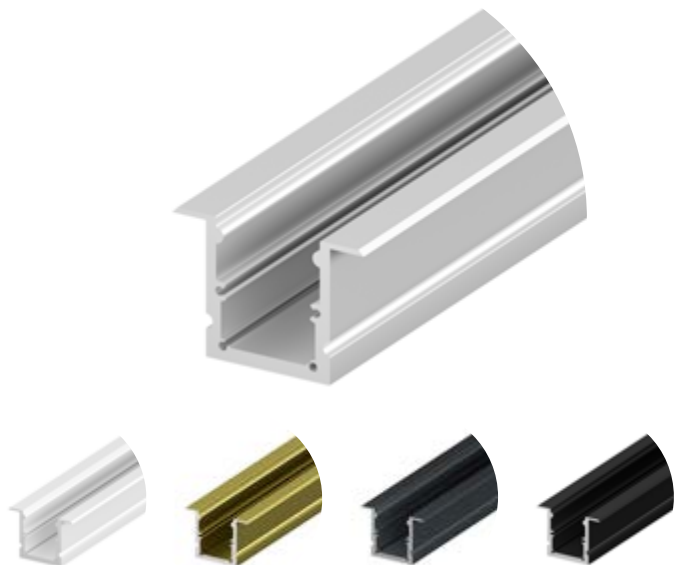


INSTALLATION



P19-1



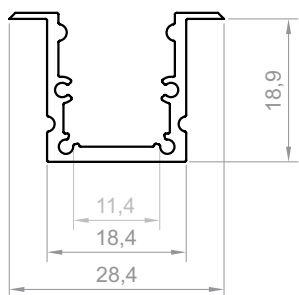


P25-1

Product code: 8625102
EAN code: 5904996205546

PROFILE TYPE	LED TAPE WIDTH
recessed	up to 11 mm
COLOUR VERSIONS	LENGTH
silver anodised painted in white painted in gold painted in black anthracite grey others - on demand	1000 mm 2000 mm 3000 mm 4000-6000 mm (on demand)

TECHNICAL DRAWING WITH DIMENSIONS



1:1

INSTALLATION INSTRUCTIONS



 glue

COVERS (CLICK-FIT)

C9



END CAPS



aluminium end caps P25-1+C9 with screws

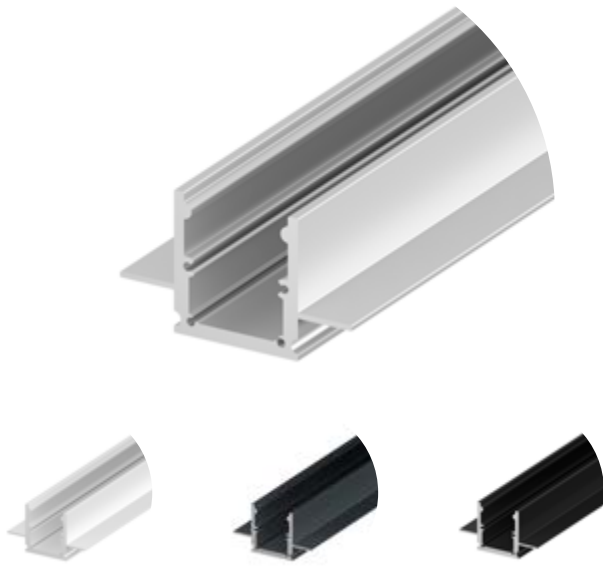
INSTALLATION



glue

P25-1





P25-2

Product code: 8625202

EAN code: 5904996205607

PROFILE TYPE

recessed

LED TAPE WIDTH

up to 11 mm

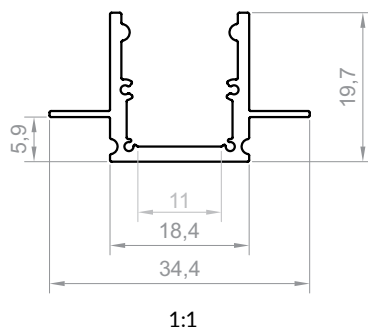
COLOUR VERSIONS

silver anodised
 painted in white
 painted in black
 anthracite grey
 others - on demand

LENGTH

1000 mm
 2000 mm
 3000 mm
 4000-6000 mm
 (on demand)

TECHNICAL DRAWING WITH DIMENSIONS

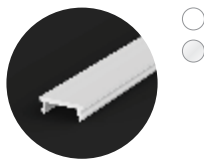
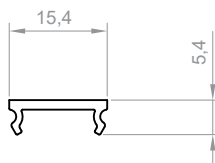


INSTALLATION INSTRUCTIONS


 TESA tape

COVERS (CLICK-FIT)

C9



END CAPS



aluminium end caps P25-2+C9 with screws (with hole)



aluminium end caps P25-2+C9 with screws (without hole)

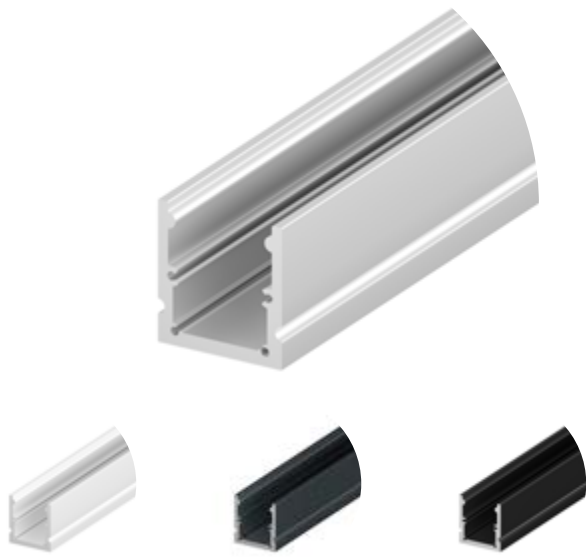
INSTALLATION



assembly tape

P25-2





P25-3

Product code: 8625302

EAN code: 5904996205676

PROFILE TYPE

surface

LED TAPE WIDTH

up to 11 mm

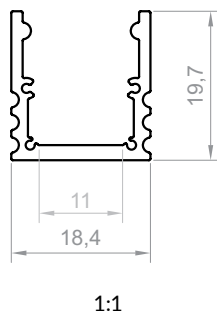
COLOUR VERSIONS

silver anodised
painted in white
painted in black
anthracite grey
others - on demand

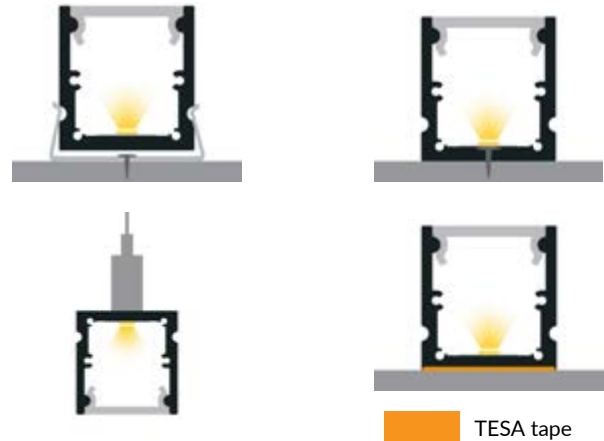
LENGTH

1000 mm
2000 mm
3000 mm
4000-6000 mm
(on demand)

TECHNICAL DRAWING WITH DIMENSIONS



INSTALLATION INSTRUCTIONS



COVERS (CLICK-FIT)

C9



END CAPS



aluminium end caps P25-3+C9 with screws (with hole)



aluminium end caps P25-3+C9 with screws (without hole)

INSTALLATION



black

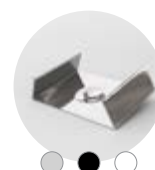


silver



white

suspension cords



metal clip



assembly tape

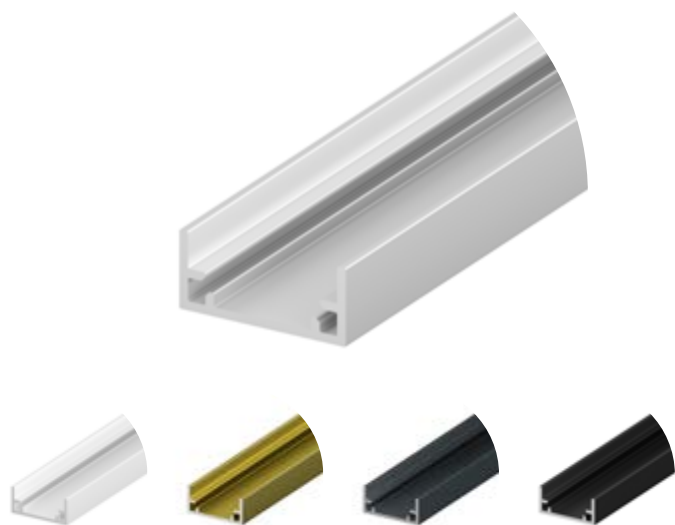
P25-3





HERMETIC PROFILES





P11-1

Product code: 8611102

EAN code: 5904996203597

PROFILE TYPE

waterproof

LED TAPE WIDTH

up to 10 mm

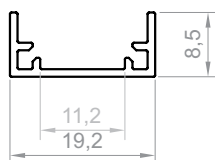
COLOUR VERSIONS

silver anodised
 painted in white
 painted in gold
 painted in black
 anthracite grey
 others - on demand

LENGTH

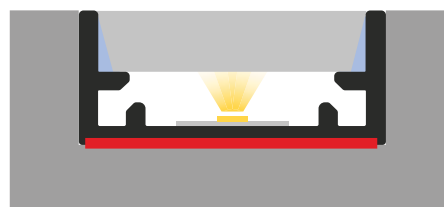
1000 mm
 2000 mm
 3000 mm
 4000-6000 mm
 (on demand)


TECHNICAL DRAWING WITH DIMENSIONS



1:1

INSTALLATION INSTRUCTIONS



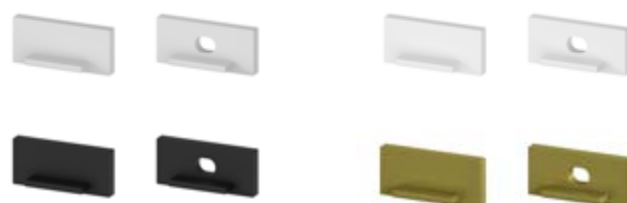
 silicon  glue

COVERS

C5

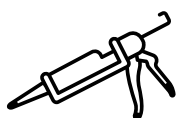


END CAPS



plastic end caps P11-1+C5

INSTALLATION



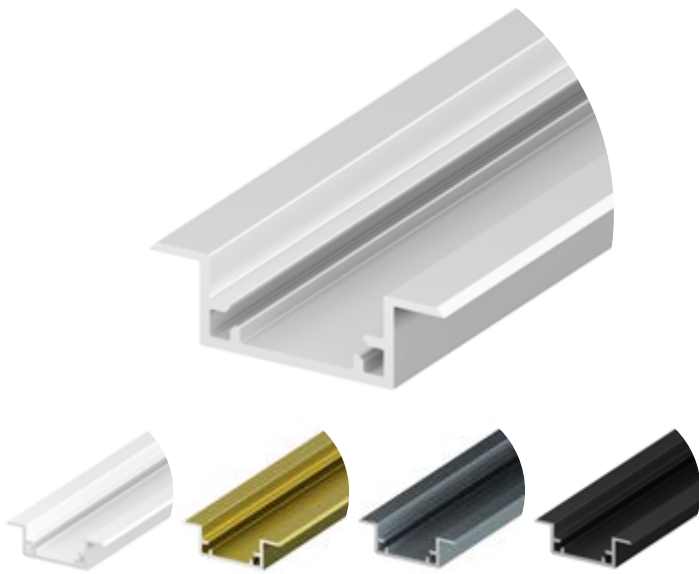
silicon



glue

P11-1





P11-2

Product code: 8611202

EAN code: 5904996203696

PROFILE TYPE

waterproof

LED TAPE WIDTH

up to 10 mm

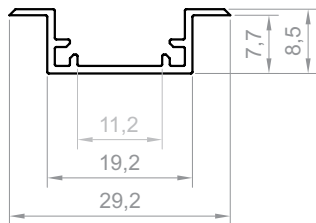
COLOUR VERSIONS

silver anodised
 painted in white
 painted in gold
 painted in black
 anthracite grey
 others - on demand

LENGTH

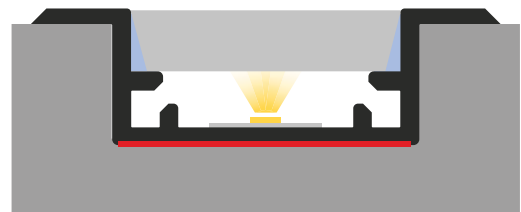


1000 mm
 2000 mm
 3000 mm
 4000-6000 mm
 (on demand)

TECHNICAL DRAWING WITH DIMENSIONS

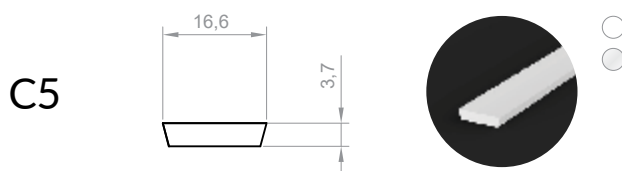


1:1

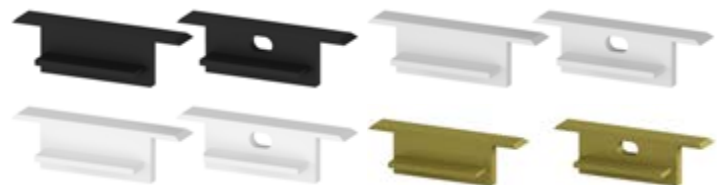
INSTALLATION INSTRUCTIONS


 silicon
  glue

COVERS

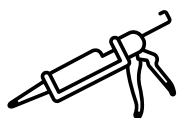


END CAPS



plastic end caps P11-2+C5

INSTALLATION



silicon



glue

P11-2



P11-3

Product code: 8611302
 EAN code: 5904996208653

PROFILE TYPE

waterproof

LED TAPE WIDTH

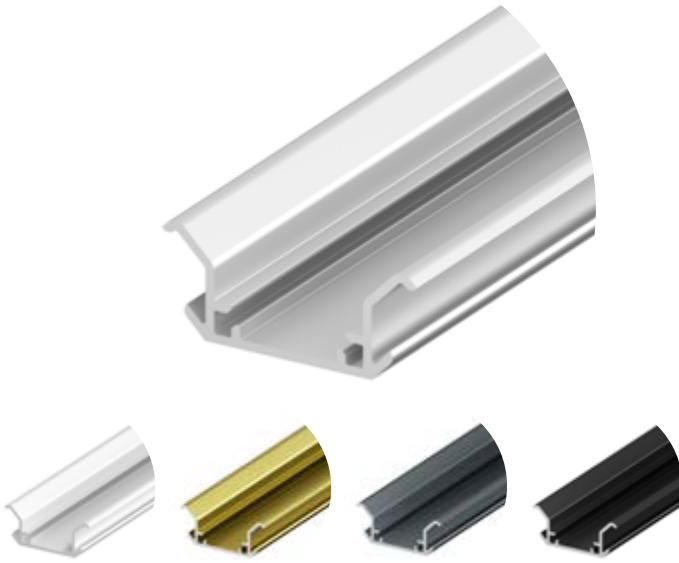
up to 10 mm

COLOUR VERSIONS

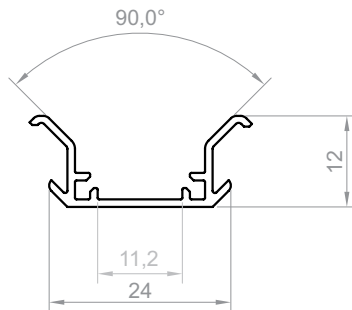
silver anodised
 painted in white
 painted in gold
 painted in black
 anthracite grey
 others - on demand

LENGTH

1000 mm
 2000 mm
 3000-6000 mm
 (on demand)

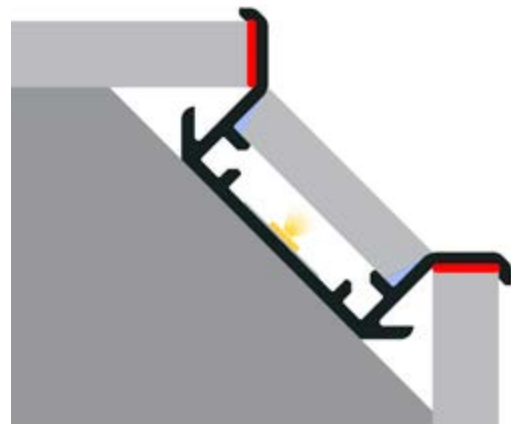




TECHNICAL DRAWING WITH DIMENSIONS



1:1

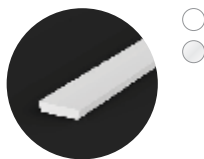
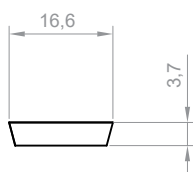
INSTALLATION INSTRUCTIONS



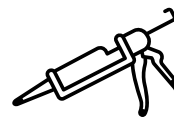
 silicon  glue

COVERS

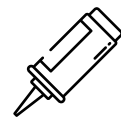
C5



INSTALLATION



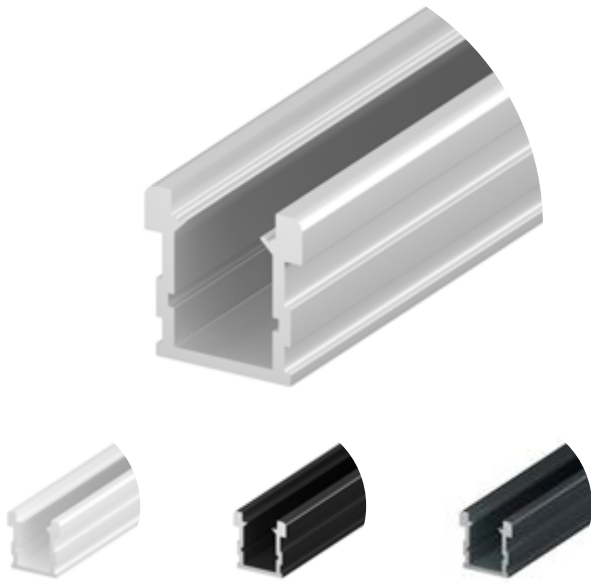
silicon



glue

P11-3





P24-1

Product code: 8624102

EAN code: 5904996205461

PROFILE TYPE

waterproof (walk over)

LED TAPE WIDTH

up to 2x8 mm
up to 1x12 mm

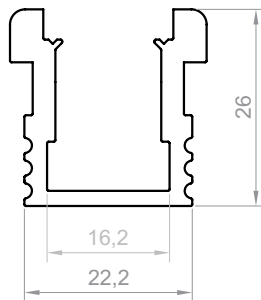
COLOUR VERSIONS

silver anodised
others - on demand

LENGTH

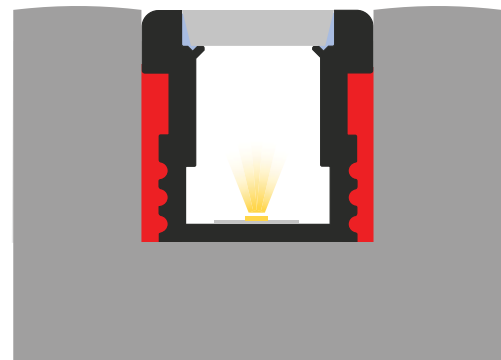


1000 mm
2000 mm
3000 mm
4000-6000 mm
(on demand)

TECHNICAL DRAWING WITH DIMENSIONS

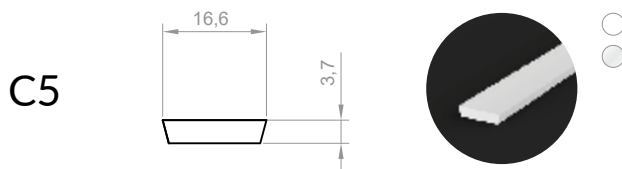


1:1

INSTALLATION INSTRUCTIONS

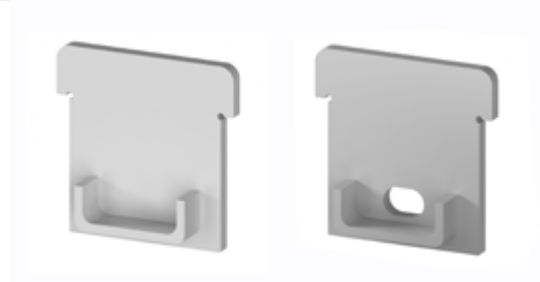

 silicon
  glue

COVERS



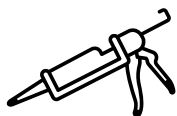
C5

END CAPS



plastic end caps P24-1+C5

INSTALLATION



silicon



glue

P24-1





P24-2

Product code: 8624202
EAN code: 5904996205485

PROFILE TYPE

waterproof (walk over)

LED TAPE WIDTH

up to 5x8 mm
up to 4x10 mm
up to 3x12 mm

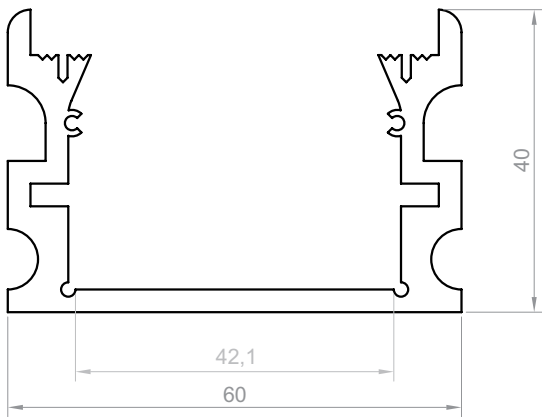
COLOUR VERSIONS

silver anodised
painted in white
painted in black
anthracite grey
others - on demand

LENGTH

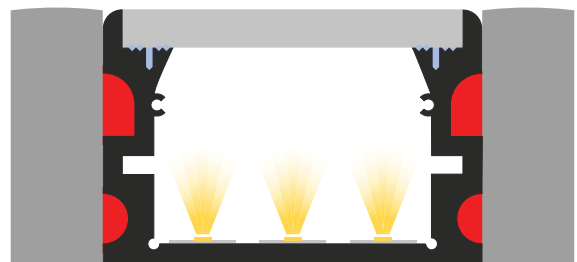
1000 mm
2000 mm
3000 mm
4000-6000 mm
(on demand)

TECHNICAL DRAWING WITH DIMENSIONS



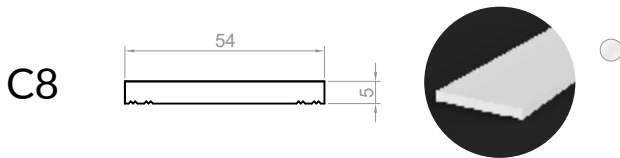
1:1

INSTALLATION INSTRUCTIONS



silicon glue

COVERS



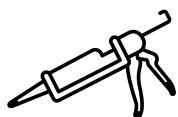
END CAPS



aluminium end caps P24-2+C8
with screws (with hole)

aluminium end caps P24-2+C8
with screws (without hole)

INSTALLATION



silicon



glue

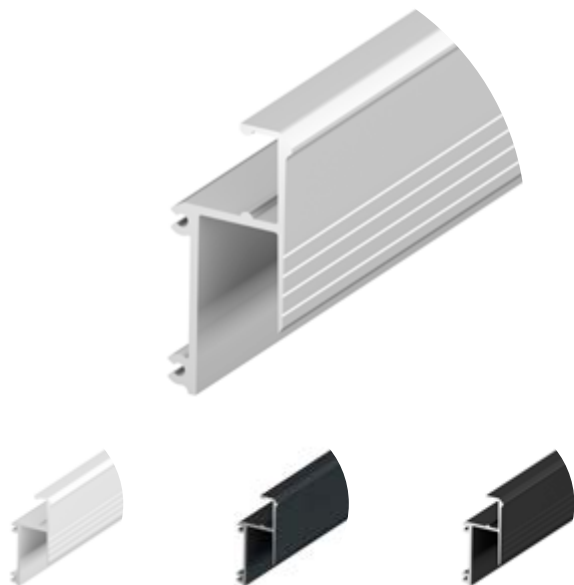
P24-2





PLASTER-IN PROFILES



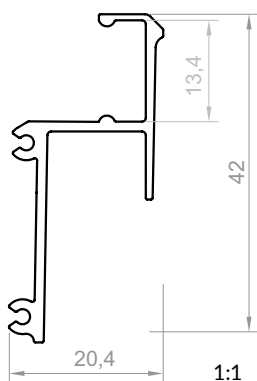


GK4-1

Product code: 9640102
EAN code: 5904996211370

PROFILE TYPE	LED TAPE WIDTH
surface	up to 12 mm
COLOUR VERSIONS	LENGTH
silver anodised painted in white painted in black anthracite grey others - on demand	1000 mm 2000 mm 3000 mm 4000-6000 mm (on demand)

TECHNICAL DRAWING WITH DIMENSIONS

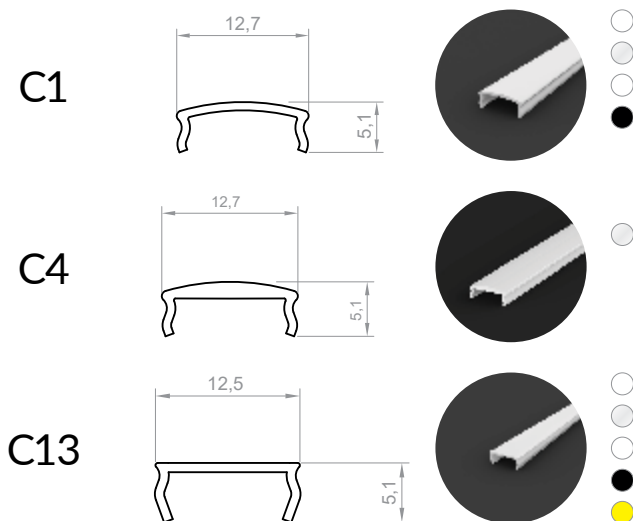


INSTALLATION INSTRUCTIONS



TESA tape

COVERS (CLICK-FIT)



END CAPS



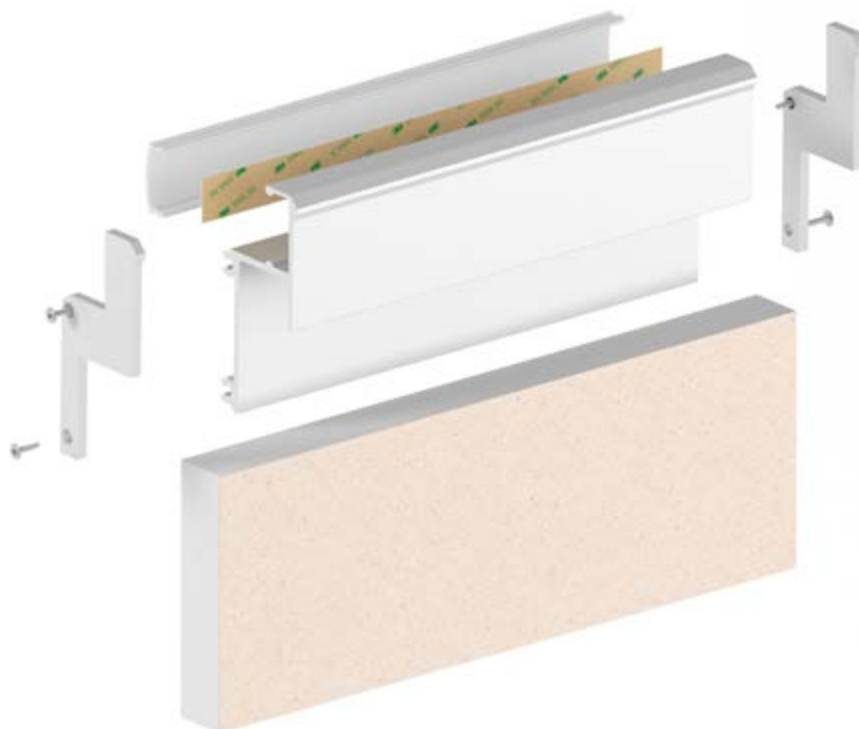
aluminium end caps GK4-1+C1/C4/C13 (right and left)

INSTALLATION



assembly tape

GK4-1



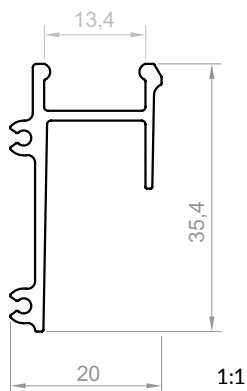


GK4-2

Product code: 9640202
EAN code: 5904996211523

PROFILE TYPE	LED TAPE WIDTH
surface	up to 12 mm
COLOUR VERSIONS	LENGTH
silver anodised painted in white painted in black anthracite grey others - on demand	1000 mm 2000 mm 3000 mm 4000-6000 mm (on demand)

TECHNICAL DRAWING WITH DIMENSIONS

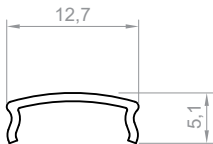
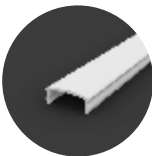

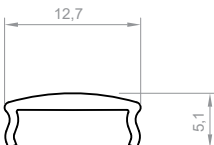


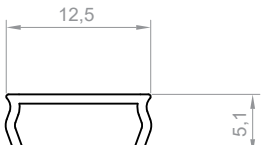




INSTALLATION INSTRUCTIONS



 TESA tape

COVERS (CLICK-FIT)

C1			
C4			
C13			

END CAPS



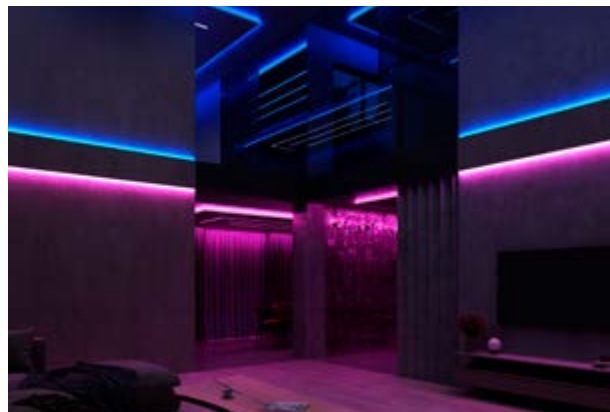
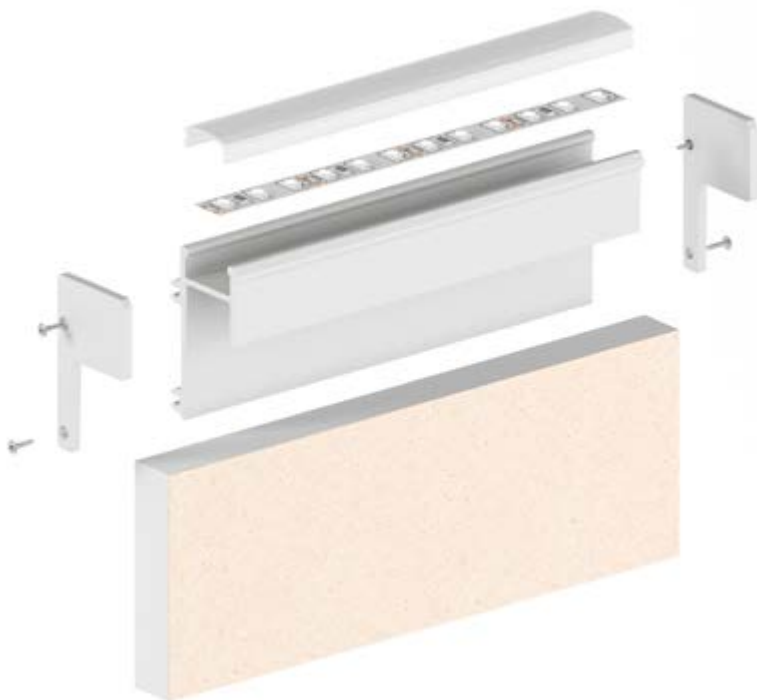
aluminium end caps GK4-2+C1/C4/C13 (right and left)

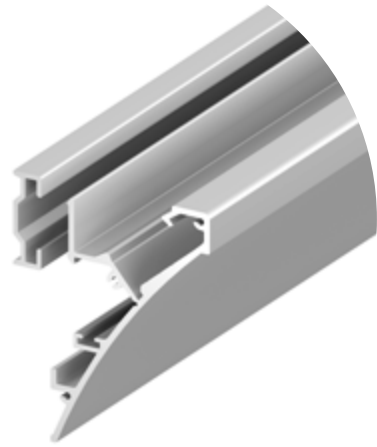
INSTALLATION



assembly tape

GK4-2





GK4-3

Product code: 9640302

EAN code: 5904996214227

PROFILE TYPE

surface

LED TAPE WIDTH

up to 12 mm

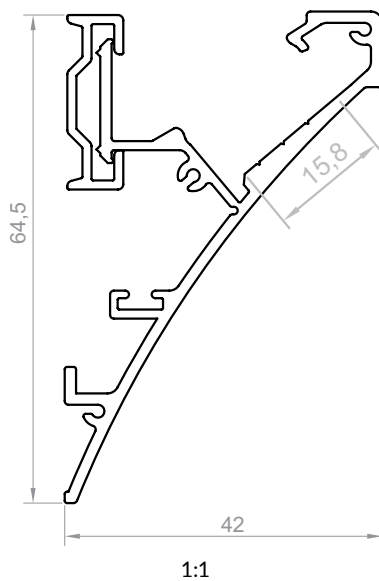
COLOUR VERSIONS

silver anodised
 painted in white
 painted in black
 anthracite grey
 others - on demand

LENGTH

1000 mm
 2000 mm
 3000 mm
 4000-6000 mm
 (on demand)

TECHNICAL DRAWING WITH DIMENSIONS

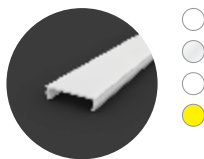
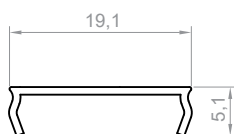


INSTALLATION INSTRUCTIONS



COVERS (CLICK-FIT)

C15

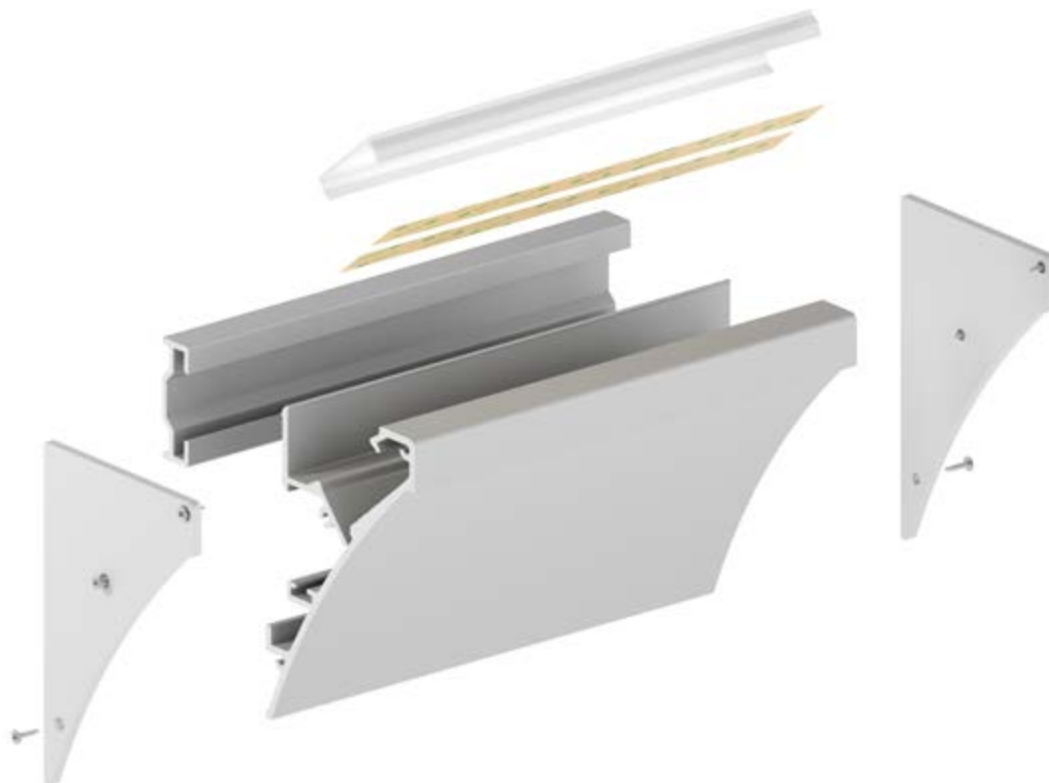


END CAPS



aluminium end caps GK4-3+C15

GK4-3



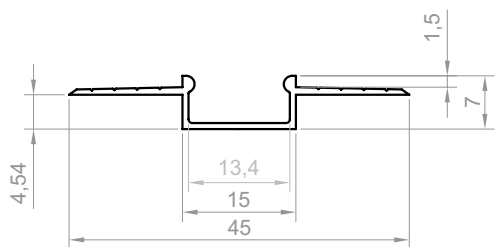


GK6-3

Product code: 966302
EAN code: 5904996210762

PROFILE TYPE	LED TAPE WIDTH
recessed	up to 12 mm
COLOUR VERSIONS	LENGTH
silver anodised painted in white painted in black anthracite grey others - on demand	1000 mm 2000 mm 3000 mm 4000-6000 mm (on demand)

TECHNICAL DRAWING WITH DIMENSIONS



1:1

INSTALLATION INSTRUCTIONS



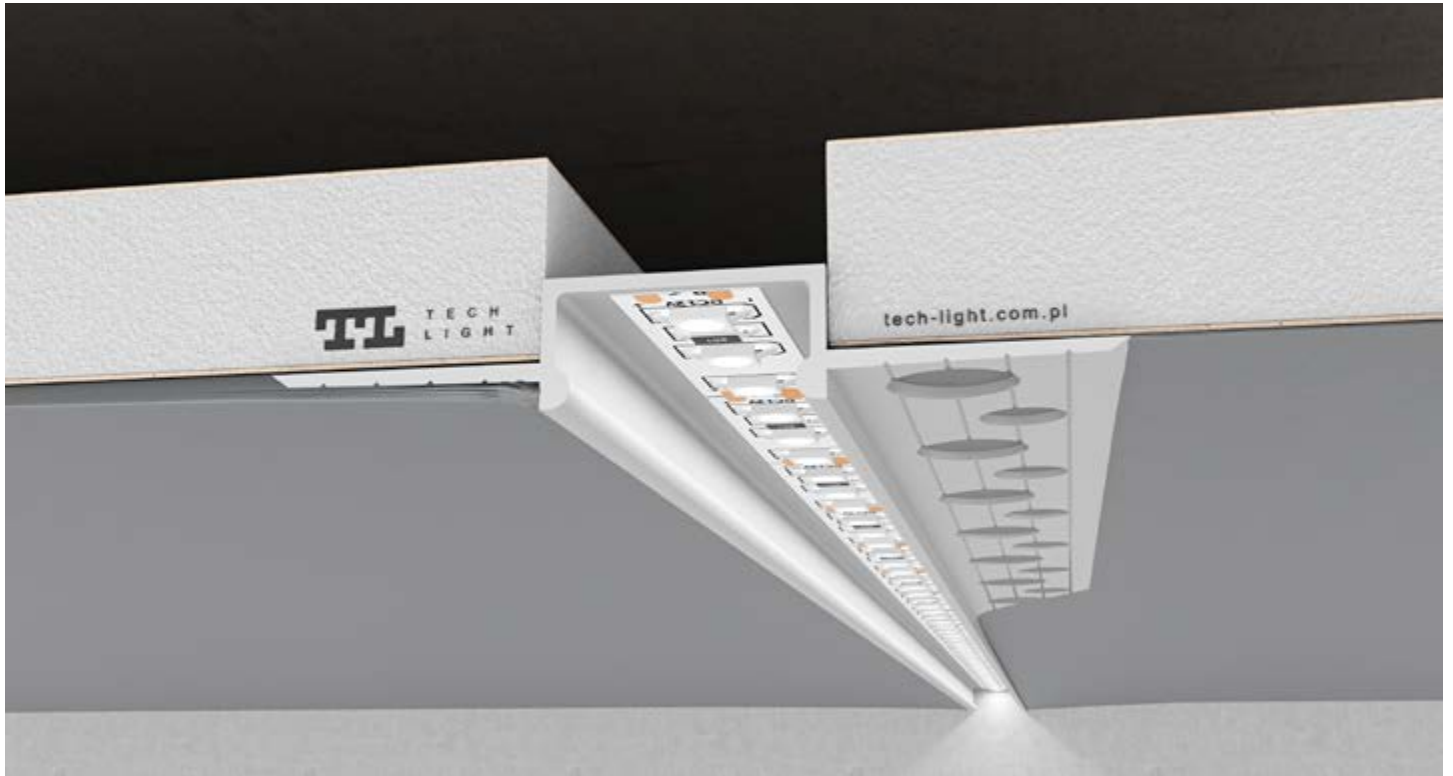
COVERS (CLICK-FIT)

C1			
C4			
C11			
C13			
C22			

END CAPS

	plastic end caps GK6-3+C1/C4
	plastic end caps GK6-3+C11
	plastic end caps GK6-3+C13
	plastic end caps GK6-3+C22

GK6-3





GK14-3

Product code: 9614302

EAN code: 5904996210854

PROFILE TYPE

recessed

LED TAPE WIDTH

up to 2x8 mm
up to 1x12 mm

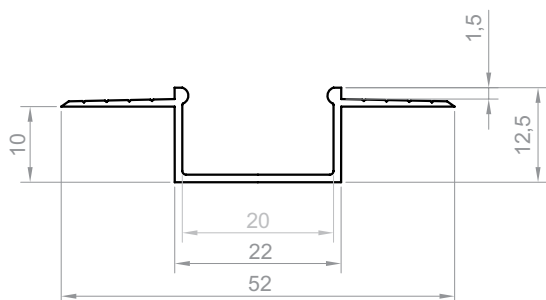
COLOUR VERSIONS

silver anodised
painted in white
painted in black
anthracite grey
others - on demand

LENGTH

1000 mm
2000 mm
3000 mm
4000-6000 mm
(on demand)

TECHNICAL DRAWING WITH DIMENSIONS



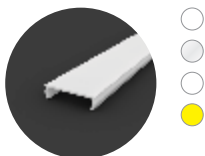
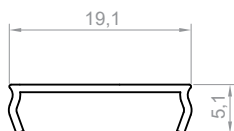
1:1

INSTALLATION INSTRUCTIONS

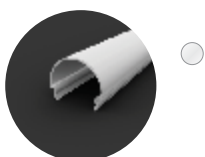
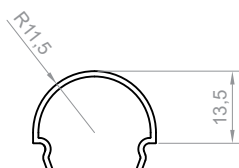


COVERS (CLICK-FIT)

C15



C23



END CAPS

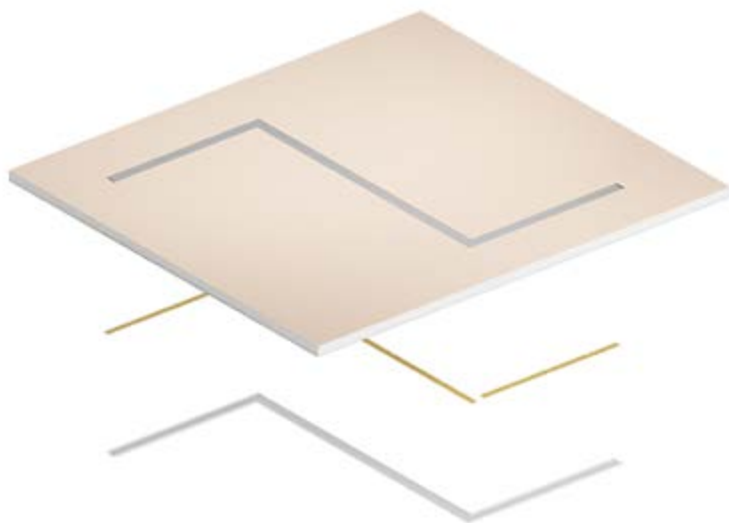


plastic end caps GK14-3+C15



plastic end caps GK14-3+C23

GK14-3



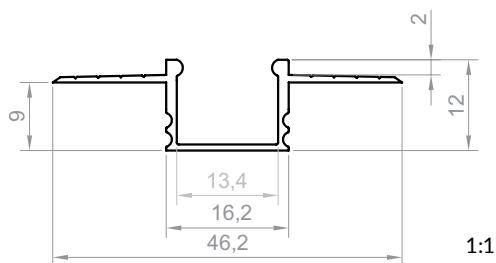


GK18-3

Product code: 9618302
EAN code: 5904996210946

PROFILE TYPE	LED TAPE WIDTH
recessed	up to 12 mm
COLOUR VERSIONS	LENGTH
silver anodised	1000 mm
painted in white	2000 mm
painted in black	3000 mm
anthracite grey	4000-6000 mm
others - on demand	(on demand)

TECHNICAL DRAWING WITH DIMENSIONS



INSTALLATION INSTRUCTIONS



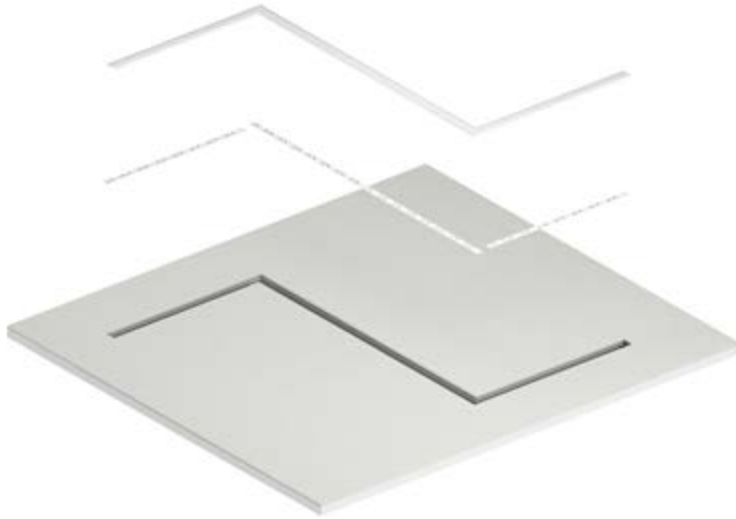
COVERS (CLICK-FIT)

C1			
C4			
C11			
C13			
C22			

END CAPS

plastic end caps GK18-3+C1/C4		
plastic end caps GK18-3+C13		

GK18-3



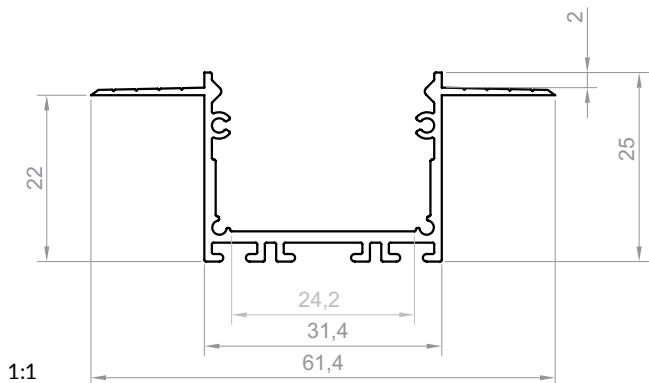


GK22-7

Product code: 9622702
EAN code: 5904996211035

PROFILE TYPE	LED TAPE WIDTH
recessed	up to 3x8 mm up to 2x12 mm
COLOUR VERSIONS	LENGTH
silver anodised painted in white painted in black anthracite grey others - on demand	1000 mm 2000 mm 3000 mm 4000-6000 mm (on demand)

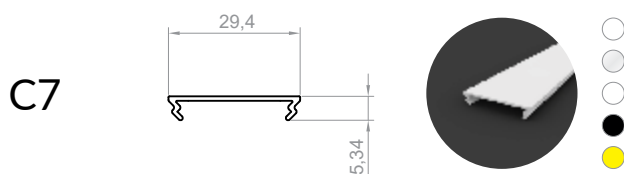
TECHNICAL DRAWING WITH DIMENSIONS



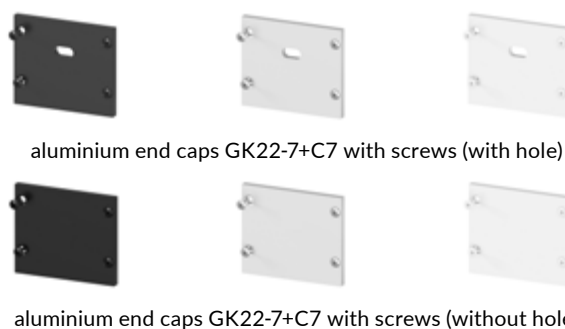
INSTALLATION INSTRUCTIONS



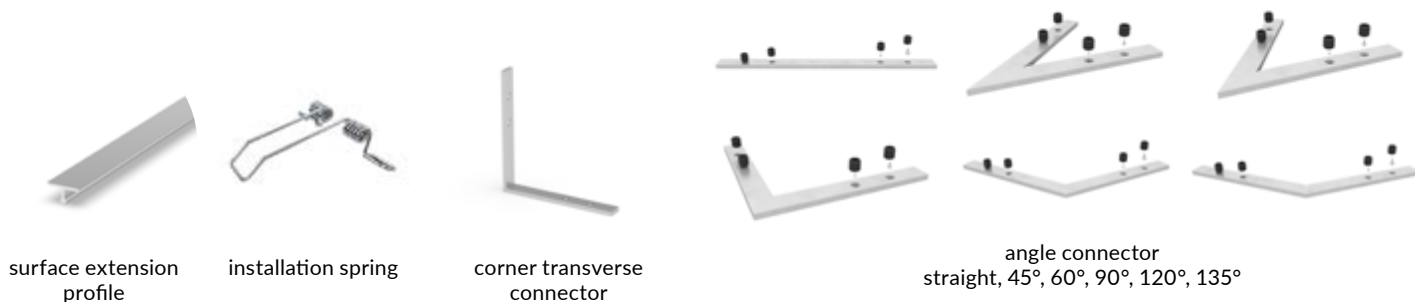
COVERS (CLICK-FIT)



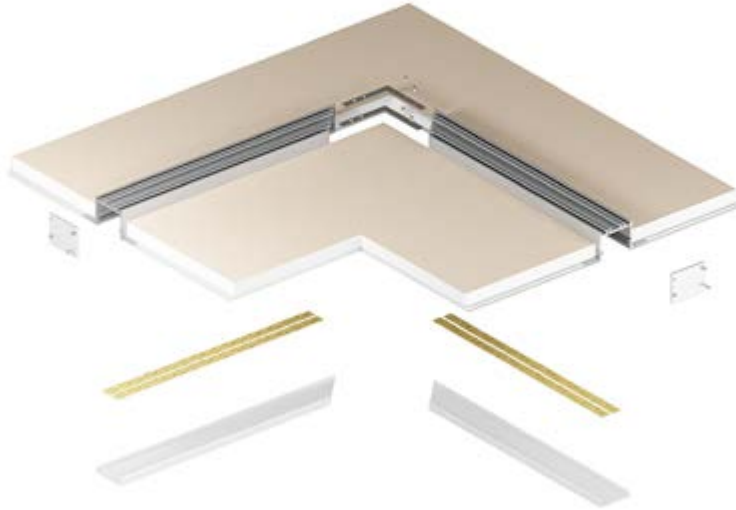
END CAPS



ACCESSORIES AND INSTALLATION



GK22-7



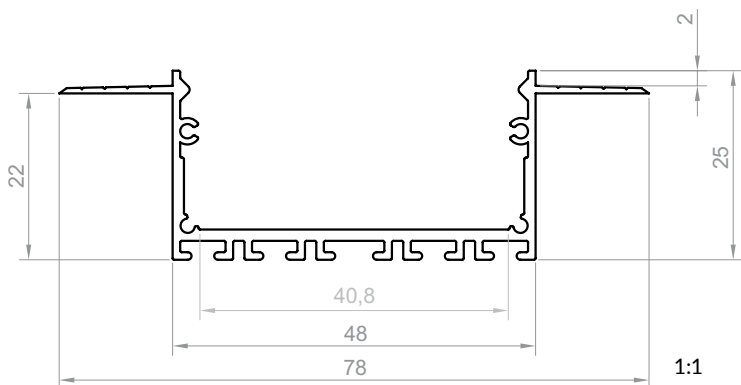


GK23-7

Product code: 9623702
EAN code: 5904996211097

PROFILE TYPE	LED TAPE WIDTH
recessed	up to 3x8 mm up to 2x12 mm
COLOUR VERSIONS	LENGTH
silver anodised painted in white painted in black anthracite grey others - on demand	1000 mm 2000 mm 3000-6000 mm (on demand)

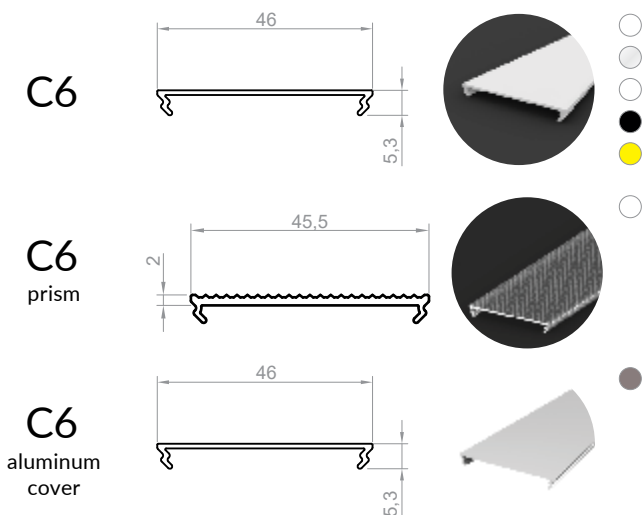
TECHNICAL DRAWING WITH DIMENSIONS



INSTALLATION INSTRUCTIONS



COVERS (CLICK-FIT)



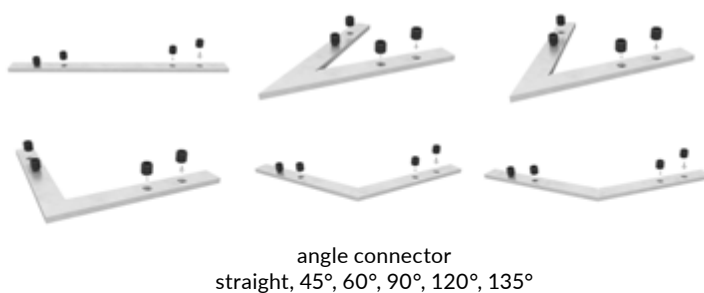
END CAPS



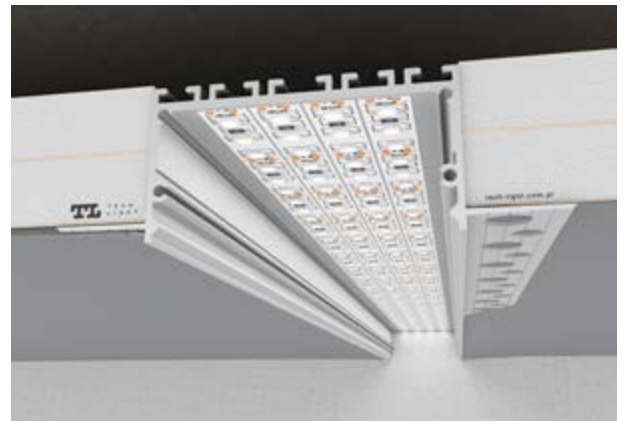
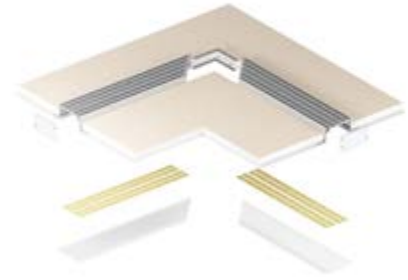
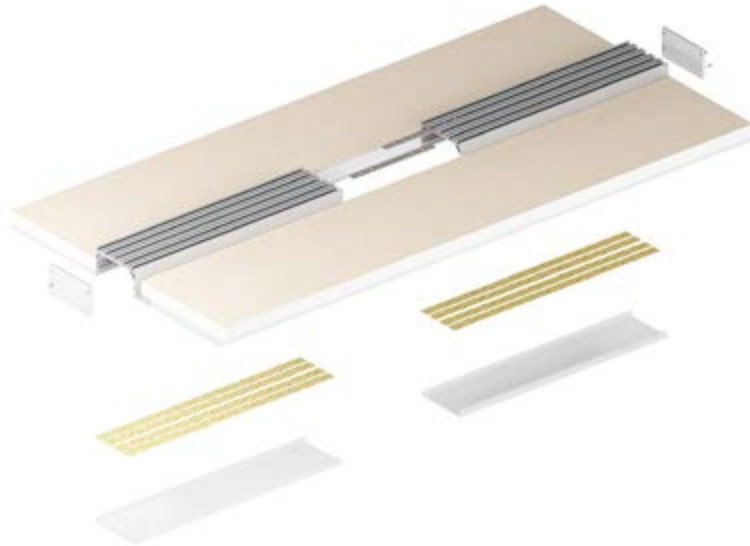
ACCESSORIES AND INSTALLATION

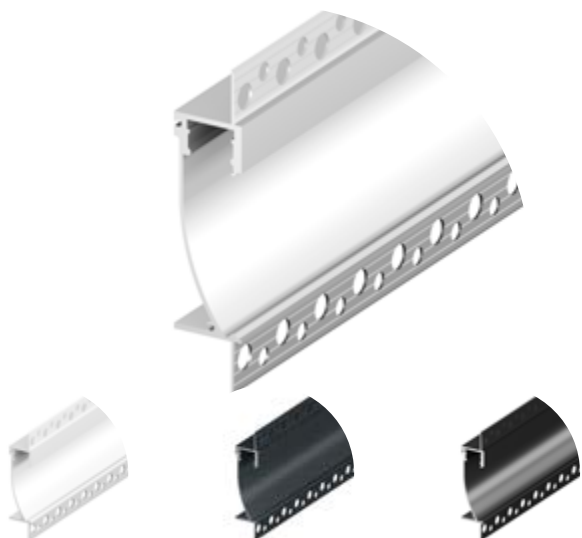


ACCESSORIES AND INSTALLATION



GK23-7



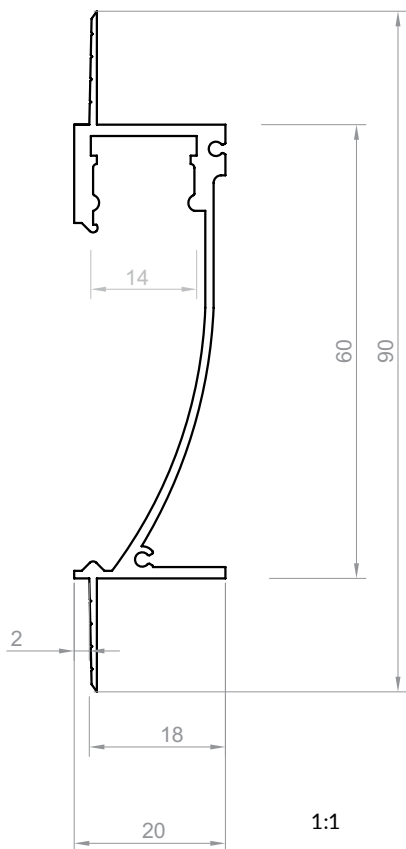


GK26-3

Product code: 9626302
EAN code: 5904996213329

PROFILE TYPE	LED TAPE WIDTH
recessed	up to 12 mm
COLOUR VERSIONS	LENGTH
silver anodised painted in white painted in black anthracite grey others - on demand	1000 mm 2000 mm 3000 mm 4000-6000 mm (on demand)

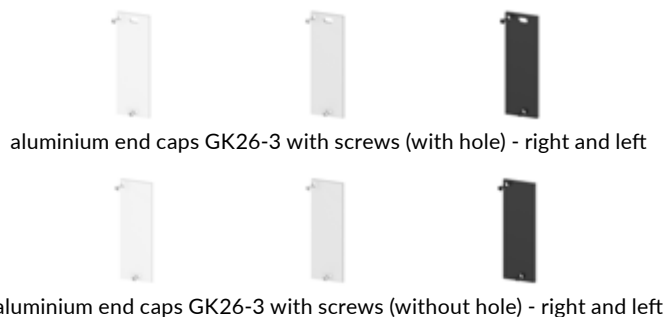
TECHNICAL DRAWING WITH DIMENSIONS



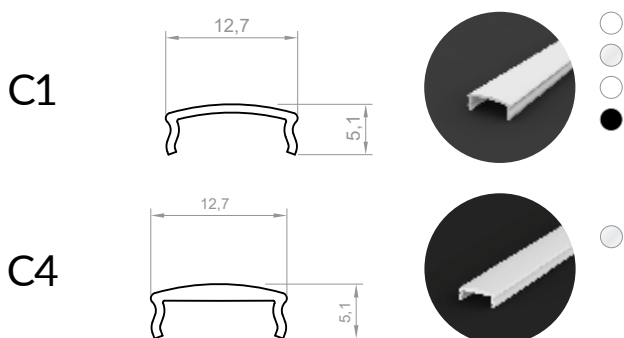
INSTALLATION INSTRUCTIONS



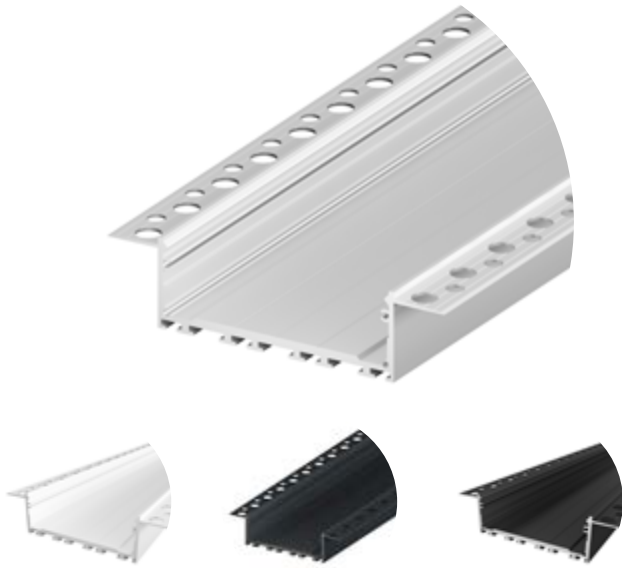
END CAPS



COVERS (CLICK-FIT)





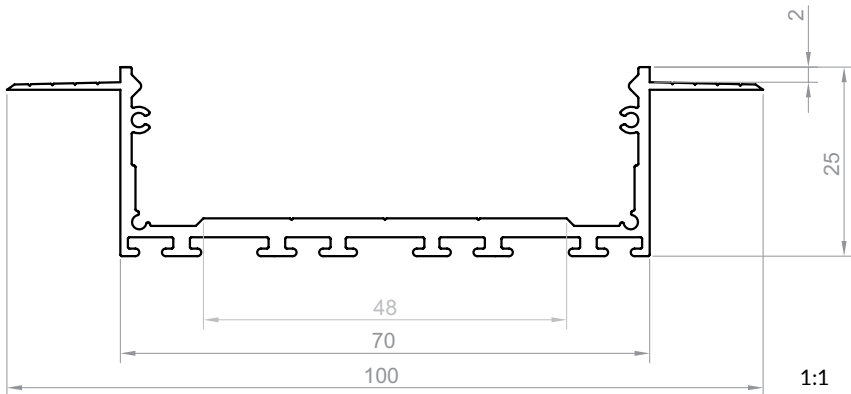


GK27-7

Product code: 9627702
EAN code: 5904996211158

PROFILE TYPE	LED TAPE WIDTH
recessed	up to 6x8 mm up to 5x10 mm up to 4x12 mm
COLOUR VERSIONS	LENGTH
silver anodised painted in white painted in black anthracite grey others - on demand	1000 mm 2000 mm 3000 mm 4000-6000 mm (on demand)

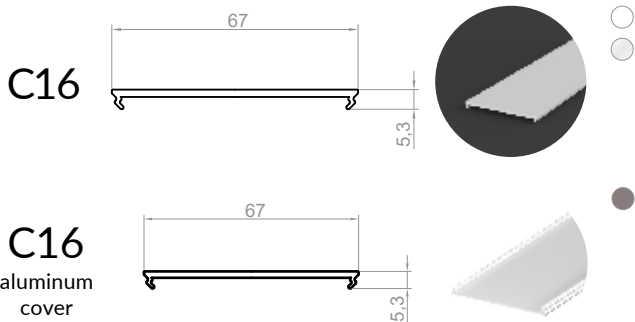
TECHNICAL DRAWING WITH DIMENSIONS



INSTALLATION INSTRUCTIONS



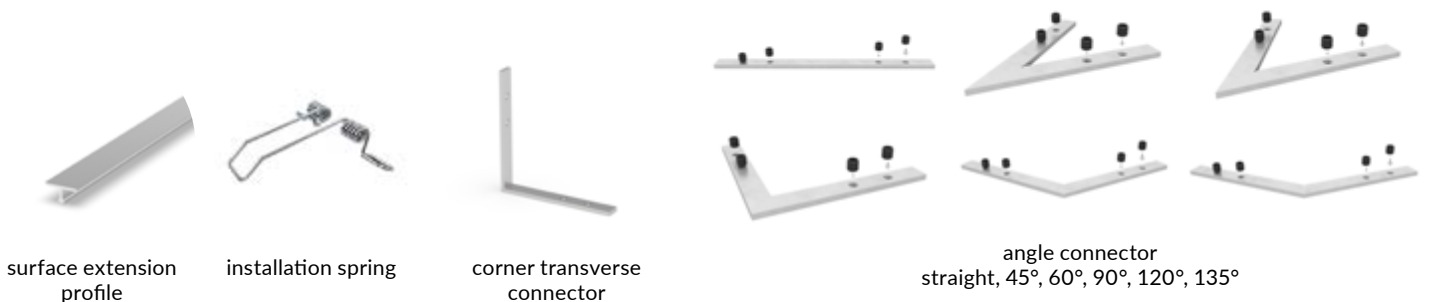
COVERS (CLICK-FIT)



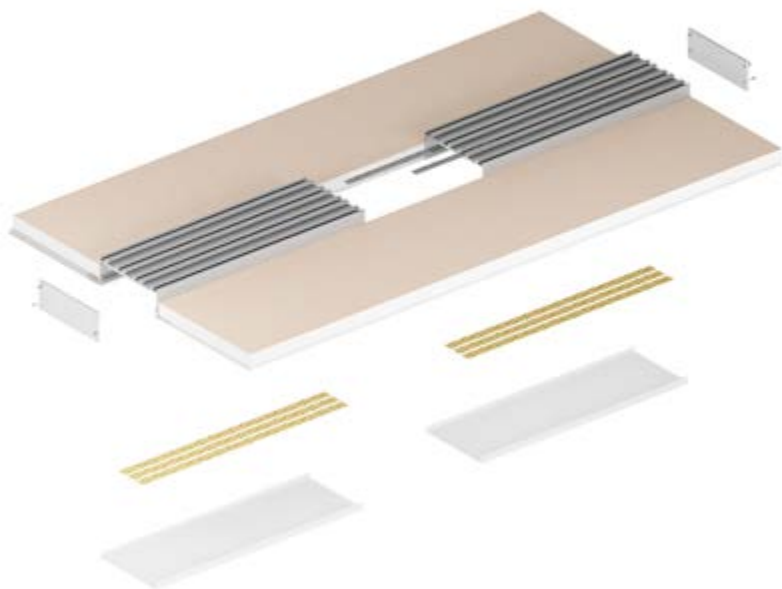
END CAPS



ACCESSORIES AND INSTALLATION



GK27-7

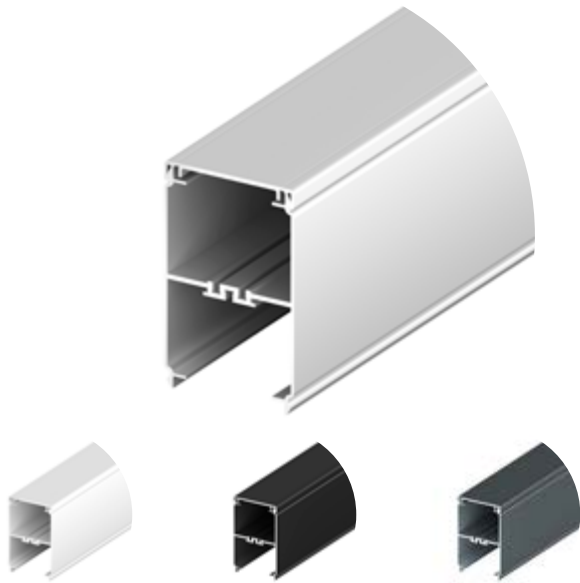




ARCHITECTURAL PROFILES



TL TECH LIGHT

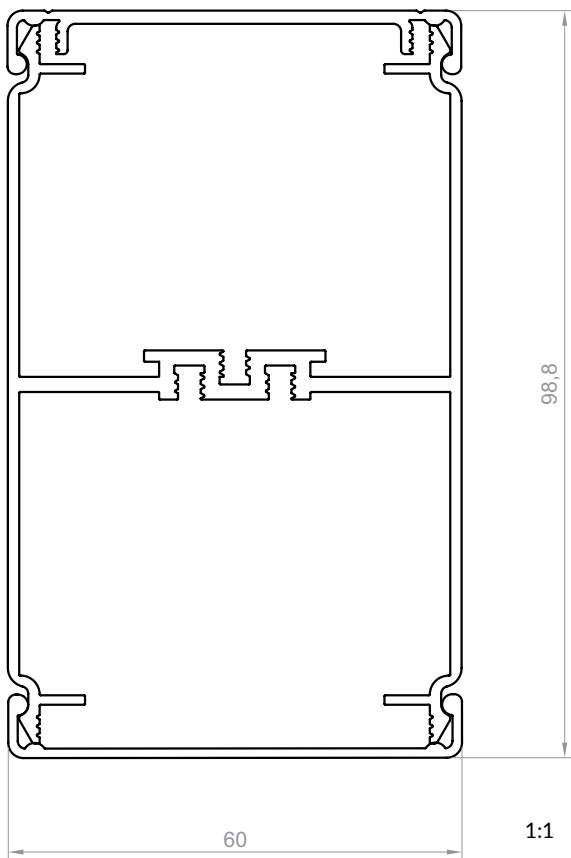


P1-1

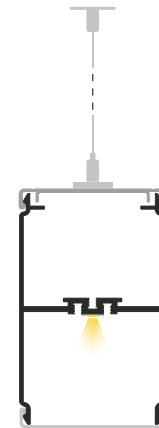
Product code: 861302
EAN code: 5904996214654

PROFILE TYPE	LED TAPE WIDTH
architectural	LED module up to 55 mm
COLOUR VERSIONS	LENGTH
silver anodised painted in white painted in black anthracite grey others - on demand	1000 mm 2000 mm 3000-6000 mm (on demand)

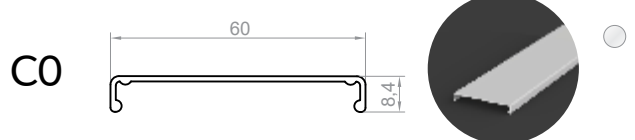
TECHNICAL DRAWING WITH DIMENSIONS



INSTALLATION INSTRUCTIONS



COVERS | END CAPS

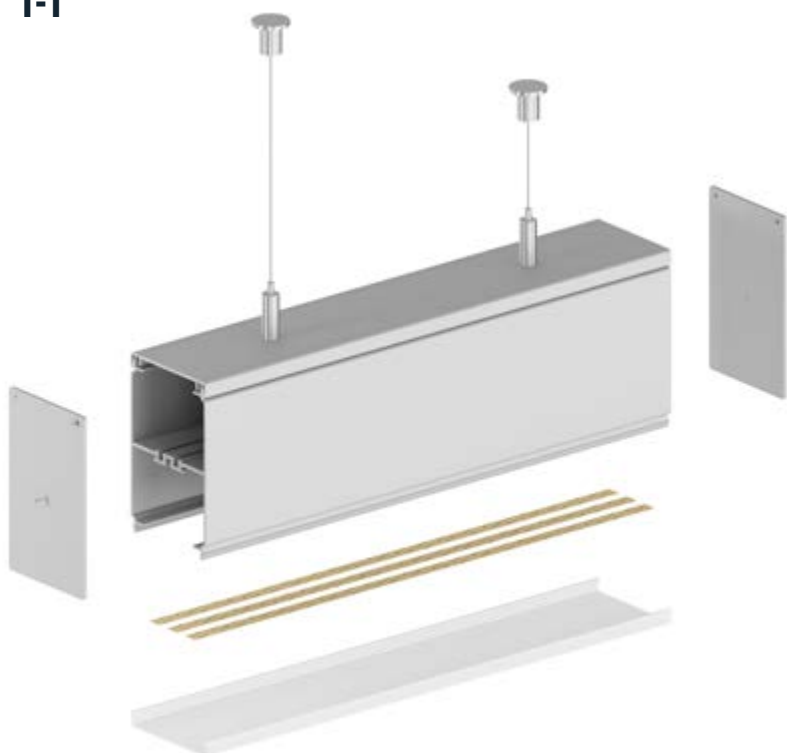


aluminium end caps P1-1+CO with screws (with or without hole)

ACCESSORIES AND INSTALLATION



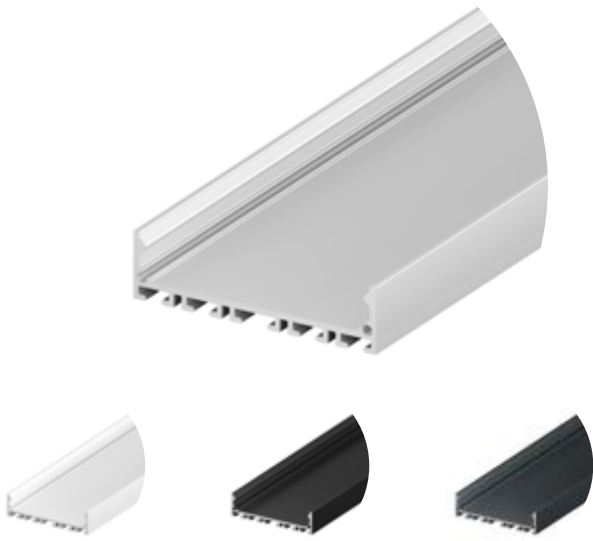
P1-1



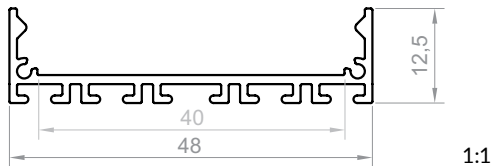
P20-1

Product code: 8620102
EAN code: 5904996204617

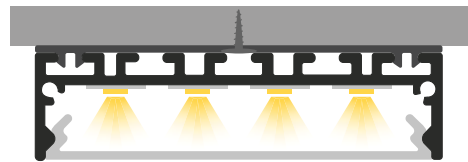
PROFILE TYPE	LED TAPE WIDTH
architectural	up to 5x8 mm up to 4x10 mm up to 3x12 mm
COLOUR VERSIONS	LENGTH
silver anodised painted in white painted in black anthracite grey others - on demand	1000 mm 2000 mm 3000 mm 4000-6000 mm (on demand)



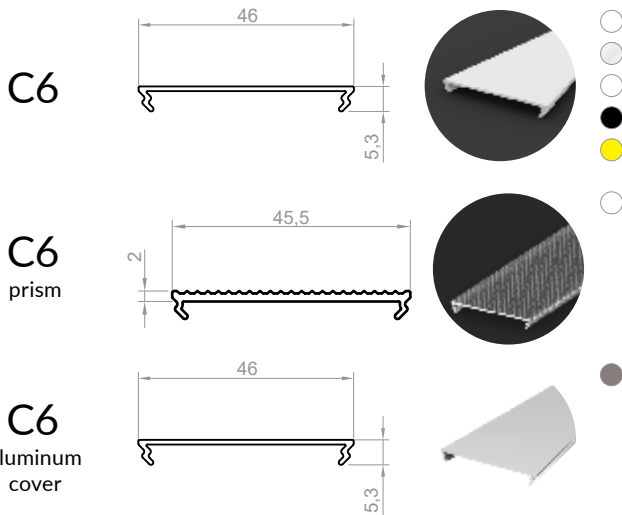
TECHNICAL DRAWING WITH DIMENSIONS



INSTALLATION INSTRUCTIONS



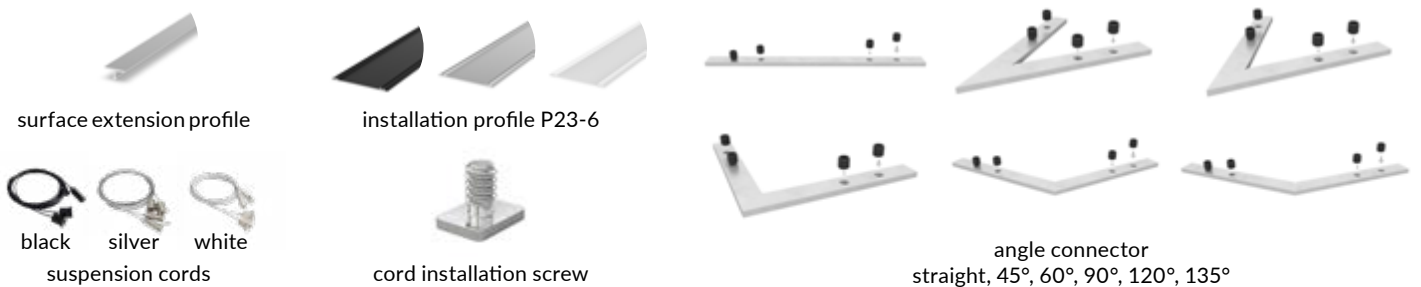
COVERS (CLICK-FIT)



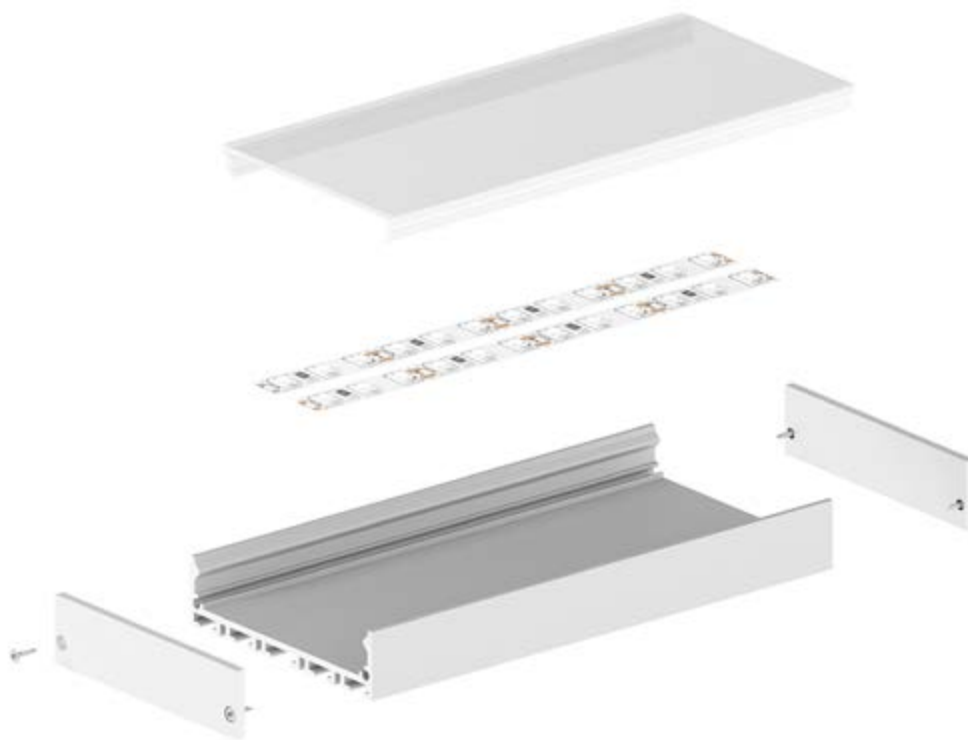
END CAPS



ACCESSORIES AND INSTALLATION

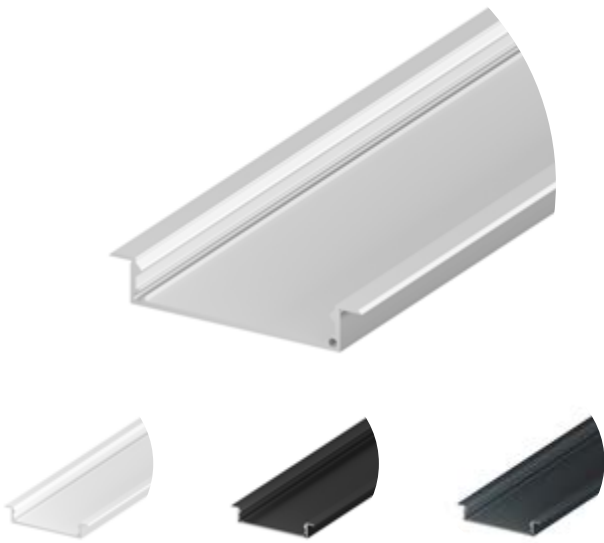


P20-1



P21-1

Product code: 8621102
EAN code: 5904996204730



PROFILE TYPE

architectural

LED TAPE WIDTH

up to 5x8 mm
up to 4x10 mm
up to 3x12 mm

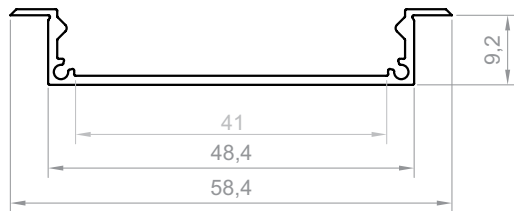
COLOUR VERSIONS

silver anodised
painted in white
painted in black
anthracite grey
others - on demand

LENGTH

1000 mm
2000 mm
3000 mm
4000-6000 mm
(on demand)

TECHNICAL DRAWING WITH DIMENSIONS



1:1

INSTALLATION INSTRUCTIONS

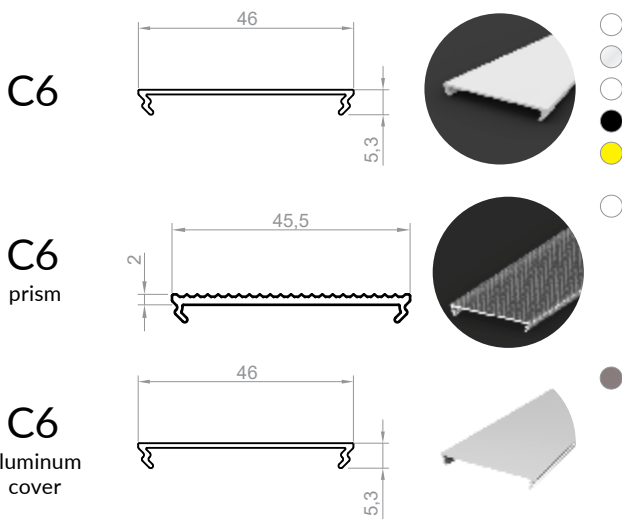


TESA tape



glue

COVERS (CLICK-FIT)



END CAPS

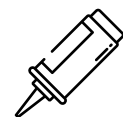


aluminium end caps P21-1+C6 with screws (without hole)

INSTALLATION

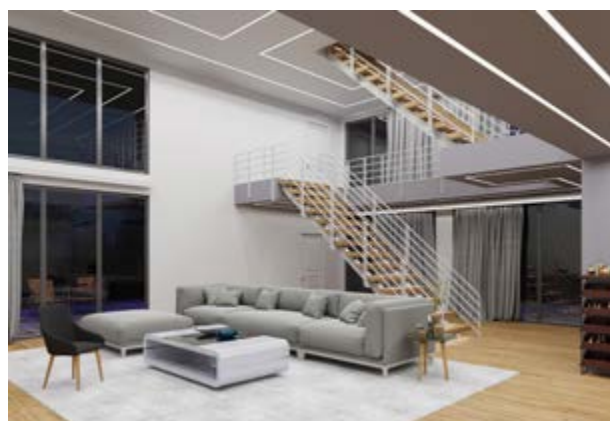
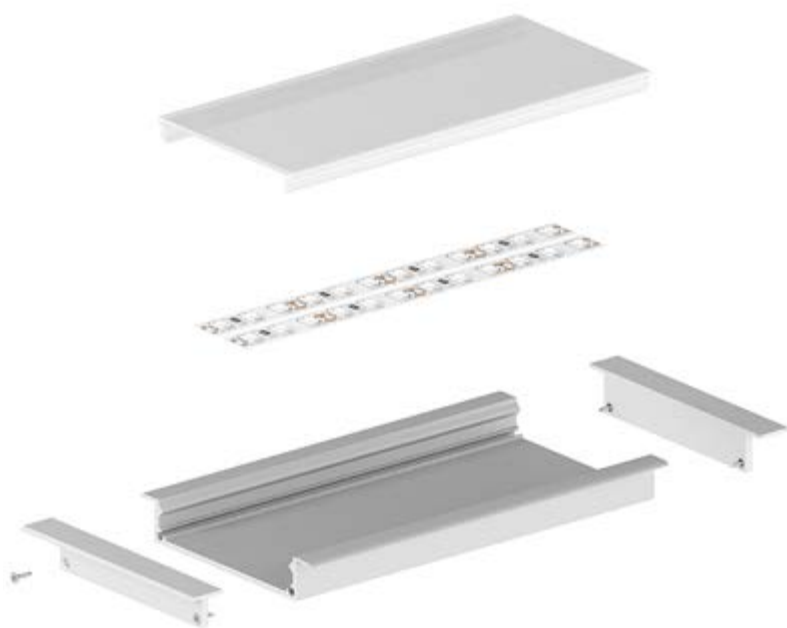


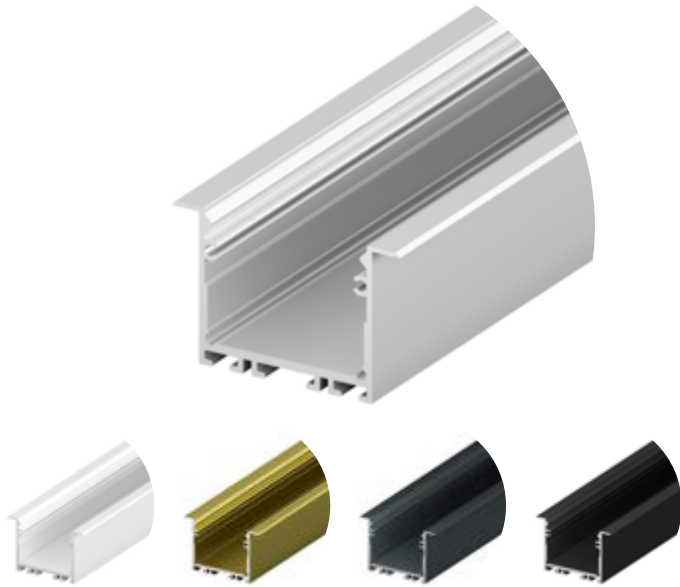
assembly tape



glue

P21-1



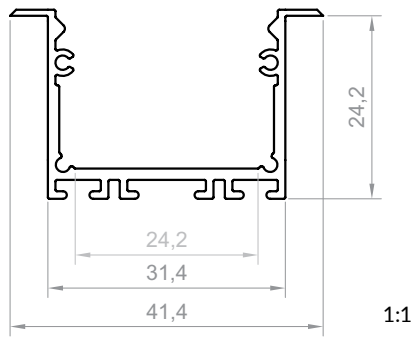


P22-1

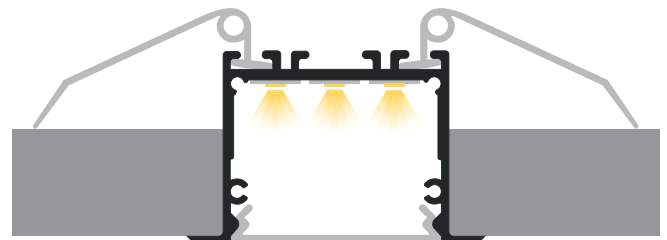
Product code: 8622102
EAN code: 5904996204846

PROFILE TYPE	LED TAPE WIDTH
architectural	up to 3x8 mm up to 2x12 mm
COLOUR VERSIONS	LENGTH
silver anodised painted in white painted in gold painted in black anthracite grey others - on demand	1000 mm 2000 mm 3000 mm 4000-6000 mm (on demand)

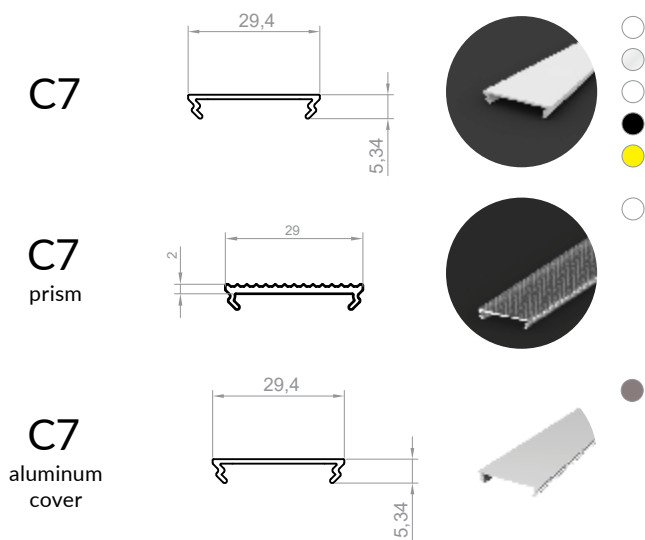
TECHNICAL DRAWING WITH DIMENSIONS



INSTALLATION INSTRUCTIONS



COVERS (CLICK-FIT)

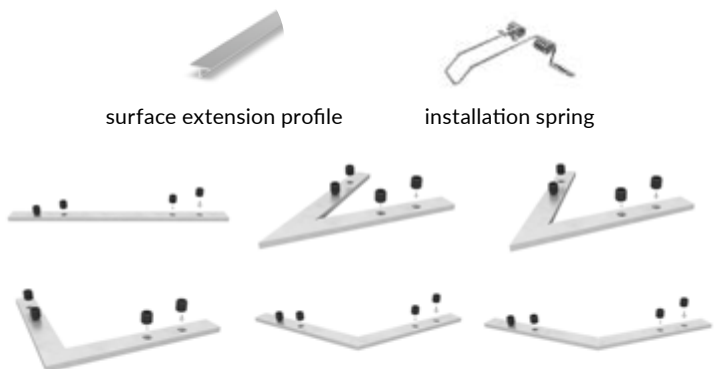


END CAPS



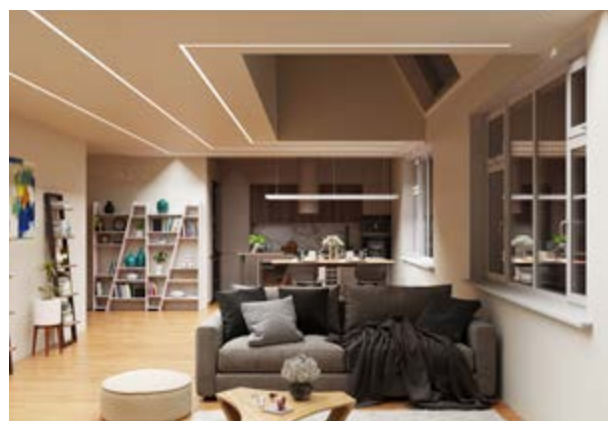
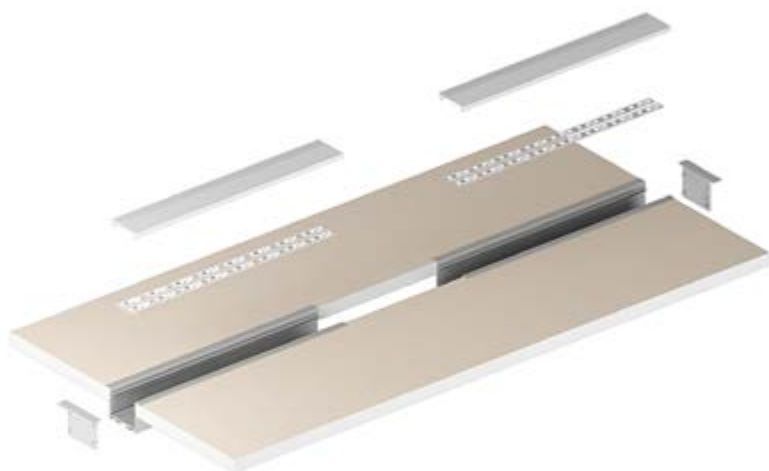
aluminium end caps P22-1+C7 with screws (without hole)

ACCESSORIES AND ASSEMBLY



angle connector
straight, 45°, 60°, 90°, 120°, 135°

P22-1



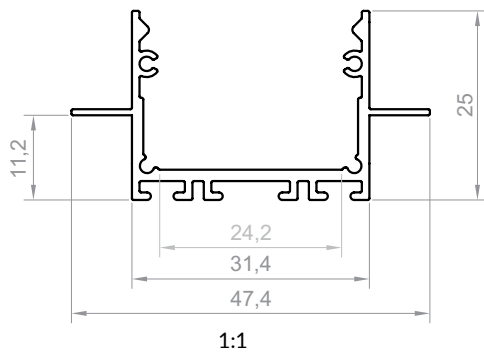


P22-2

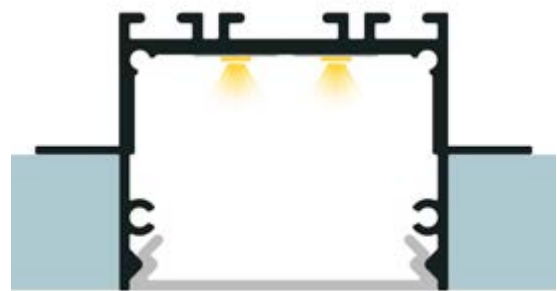
Product code: 8622202
EAN code: 5904996204907

PROFILE TYPE	LED TAPE WIDTH
architectural	up to 3x8 mm up to 2x12 mm
COLOUR VERSIONS	LENGTH
silver anodised painted in white painted in black anthracite grey others - on demand	1000 mm 2000 mm 3000 mm 4000-6000 mm (on demand)

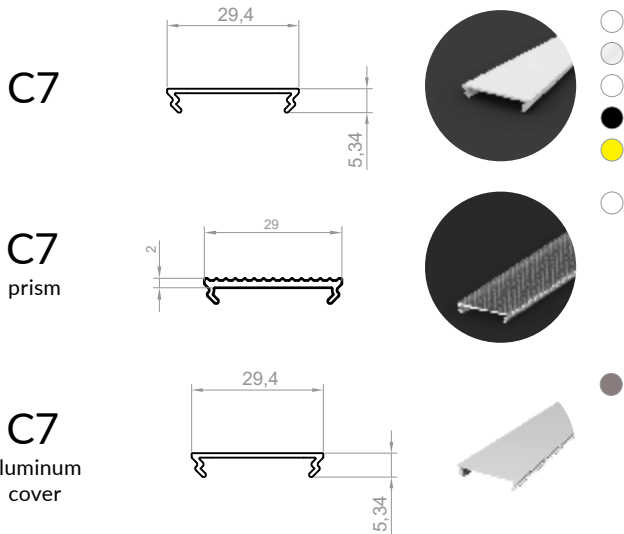
TECHNICAL DRAWING WITH DIMENSIONS



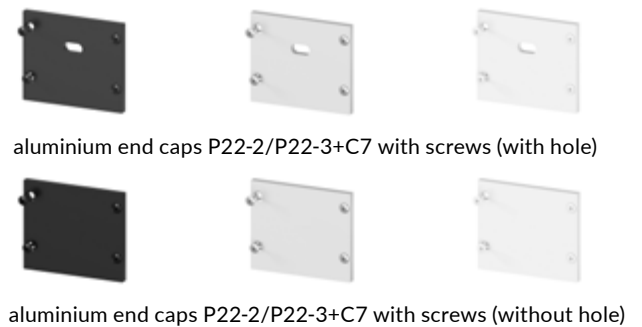
INSTALLATION INSTRUCTIONS



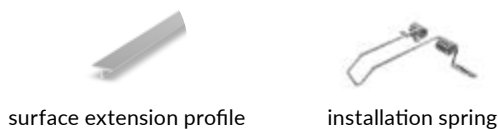
COVERS (CLICK-FIT)



END CAPS



ACCESSORIES AND INSTALLATION

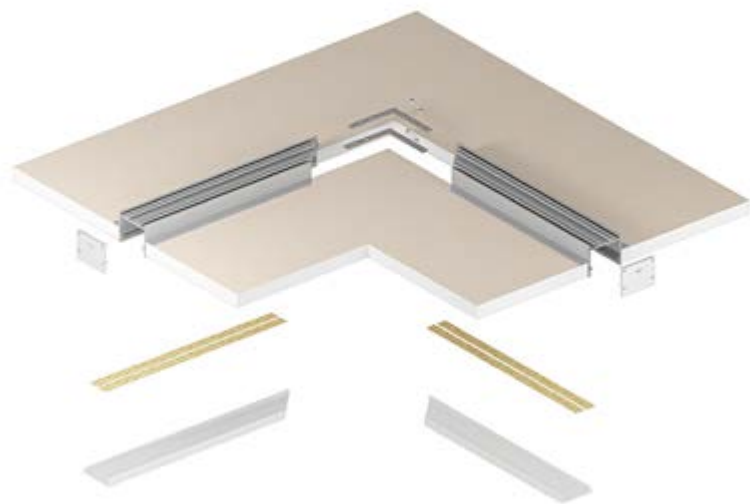


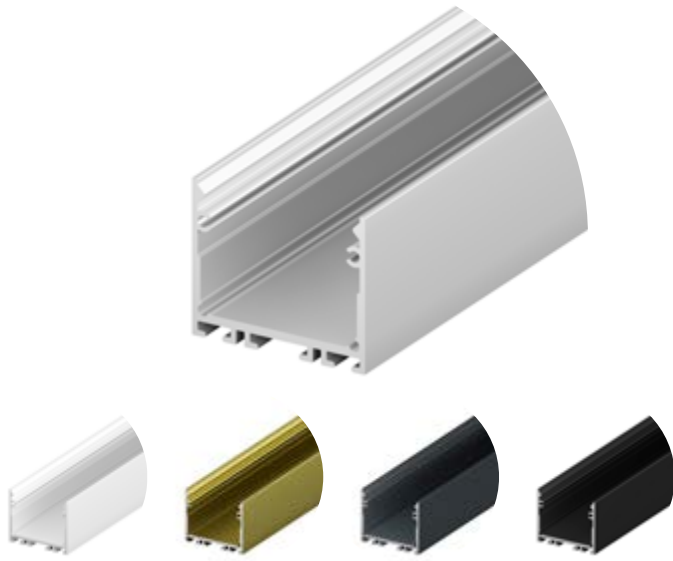
ACCESSORIES AND INSTALLATION



angle connector
straight, 45°, 60°, 90°, 120°, 135°

P22-2



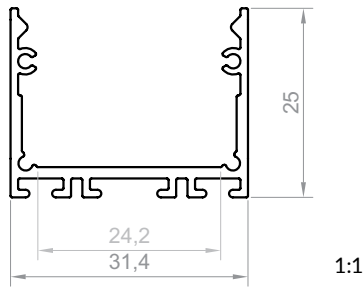


P22-3

Product code: 8622302
EAN code: 5904996204976

PROFILE TYPE	LED TAPE WIDTH
architectural	up to 3x8 mm up to 2x12 mm
COLOUR VERSIONS	LENGTH
silver anodised painted in white painted in gold painted in black anthracite grey others - on demand	1000 mm 2000 mm 3000 mm 4000-6000 mm (on demand)

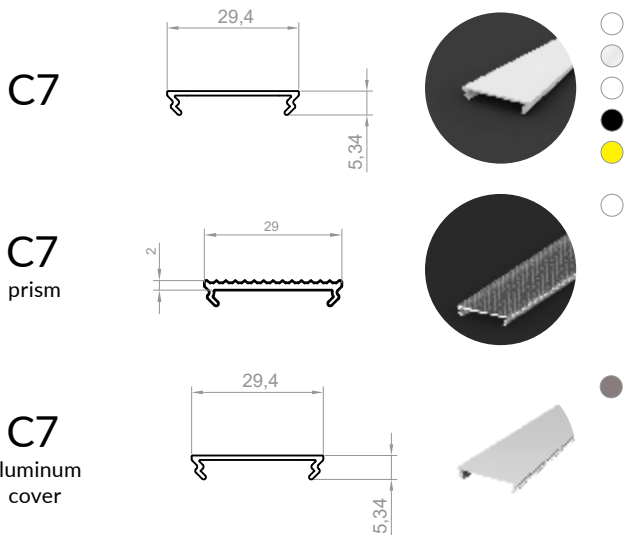
TECHNICAL DRAWING WITH DIMENSIONS



INSTALLATION INSTRUCTIONS



COVERS (CLICK-FIT)



END CAPS



ACCESSORIES AND INSTALLATION

ACCESSORIES AND INSTALLATION



angle connector
straight, 45°, 60°, 90°, 120°, 135°



P22-3



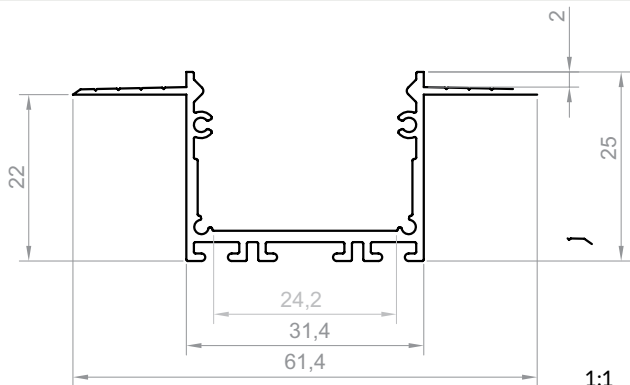


P22-7

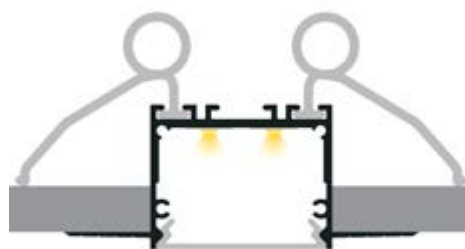
Product code: 8622702
EAN code: 5904996205065

PROFILE TYPE	LED TAPE WIDTH
architectural	up to 3x8 mm up to 2x12 mm
COLOUR VERSIONS	LENGTH
silver anodised painted in white painted in black anthracite grey others - on demand	1000 mm 2000 mm 3000 mm 4000-6000 mm (on demand)

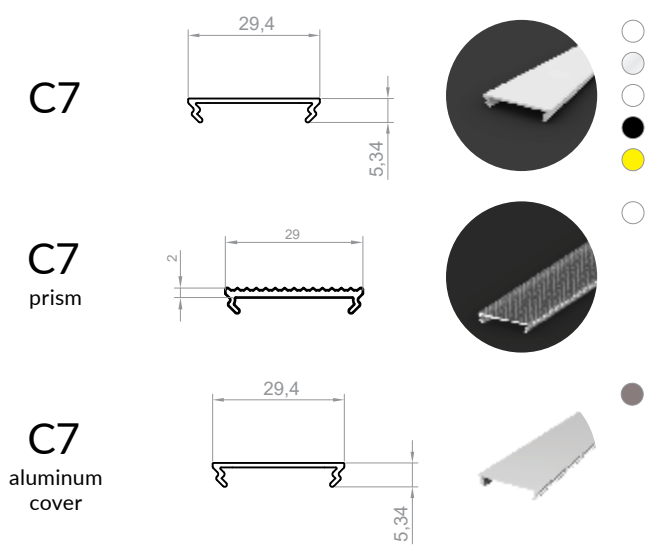
TECHNICAL DRAWING WITH DIMENSIONS



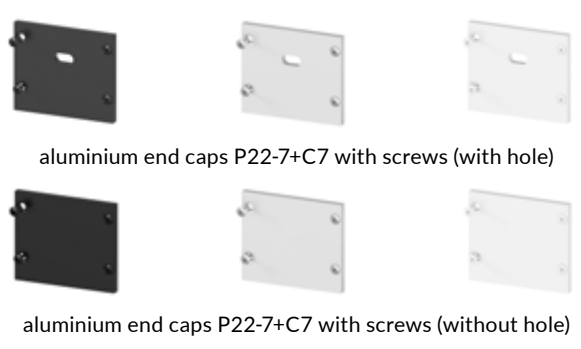
INSTALLATION INSTRUCTIONS



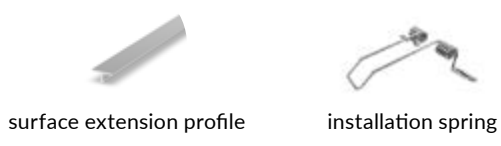
COVERS (CLICK-FIT)



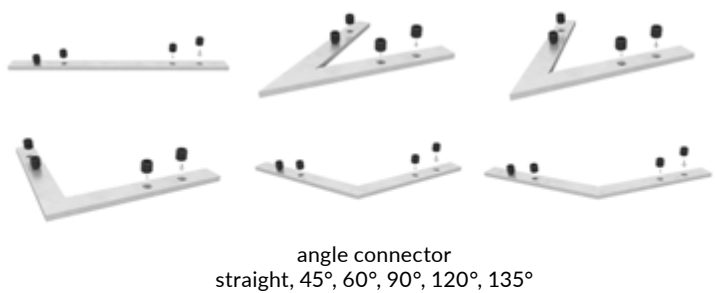
END CAPS



ACCESSORIES AND INSTALLATION

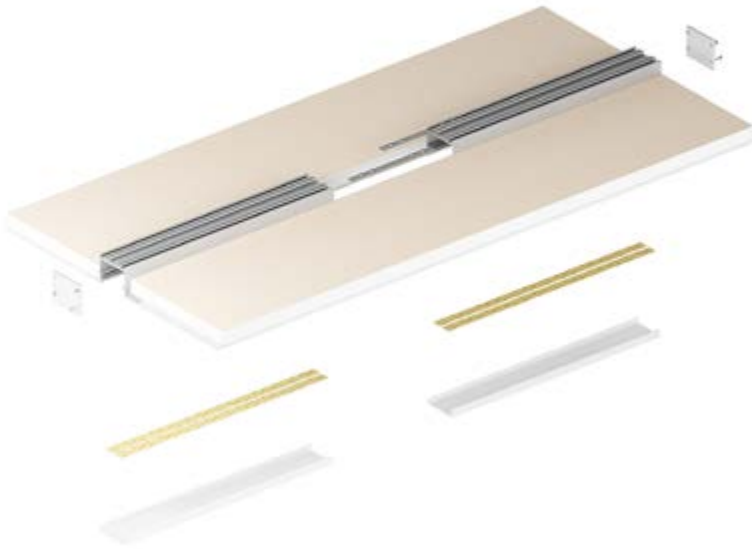


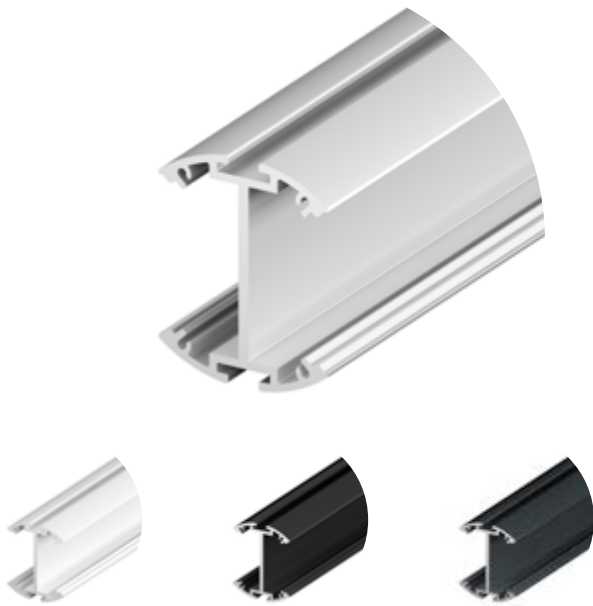
ACCESSORIES AND INSTALLATION



angle connector
straight, 45°, 60°, 90°, 120°, 135°

P22-7



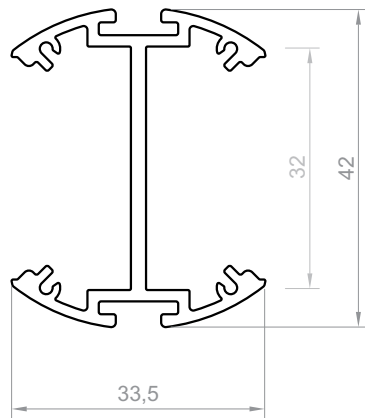


P22-8

Product code: 8622802
EAN code: 5904996211776

PROFILE TYPE	LED TAPE WIDTH
suspended	up to 12 mm
COLOUR VERSIONS	LENGTH
silver anodised painted in white painted in black anthracite grey others - on demand	1000 mm 2000 mm 3000 mm 4000-6000 mm (on demand)

TECHNICAL DRAWING WITH DIMENSIONS



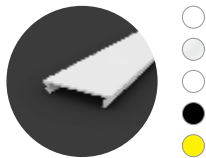
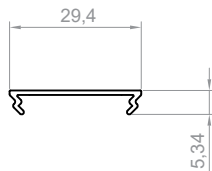
1:1

INSTALLATION INSTRUCTIONS



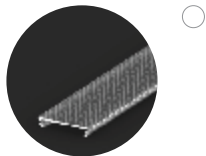
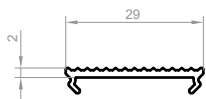
COVERS (CLICK-FIT)

C7



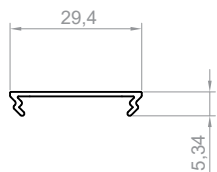
C7

prism



C7

aluminum cover



END CAPS



aluminium end caps P22-8+C7 with screws

INSTALLATION



black

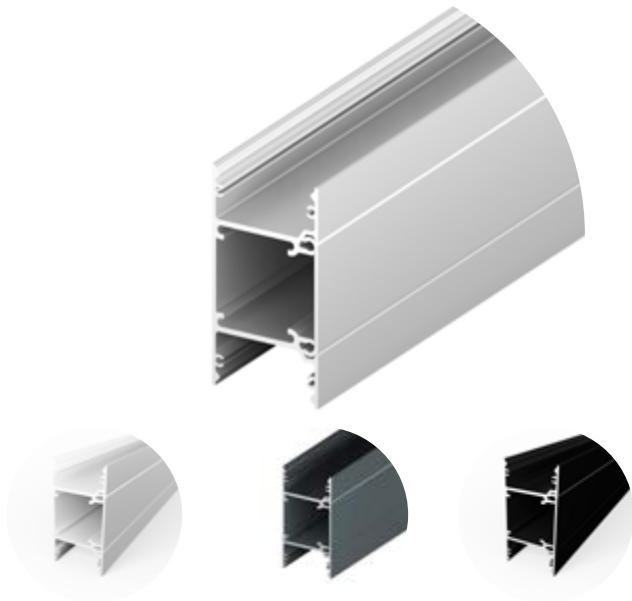
silver

white

suspension cords

P22-8





P22-10

Product code: 86221002
EAN code: 5904996209025

PROFILE TYPE

architectural

LED TAPE WIDTH

up to 3x8 mm
up to 2x12 mm

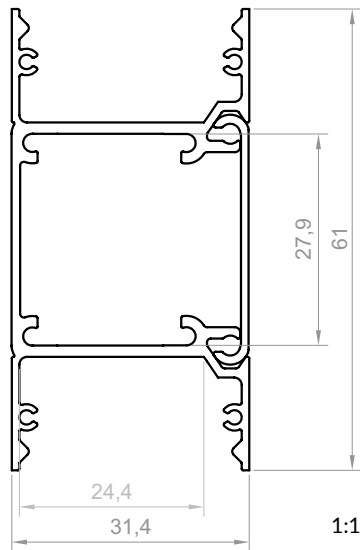
COLOUR VERSIONS

silver anodised
painted in white
painted in black
anthracite grey
others - on demand

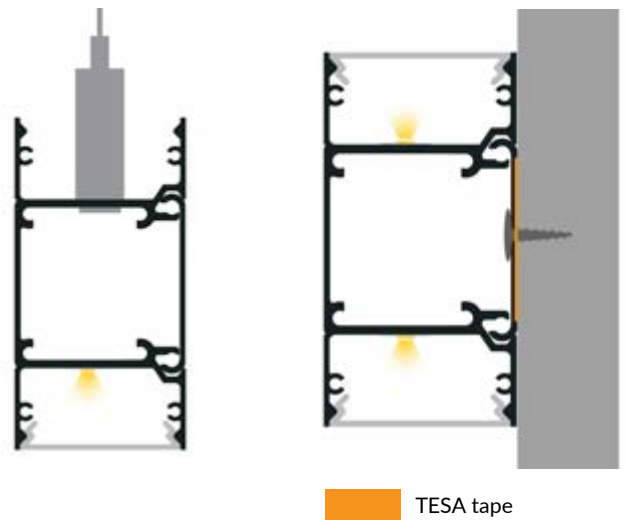
LENGTH

1000 mm
2000 mm
3000 mm
4000-6000 mm
(on demand)

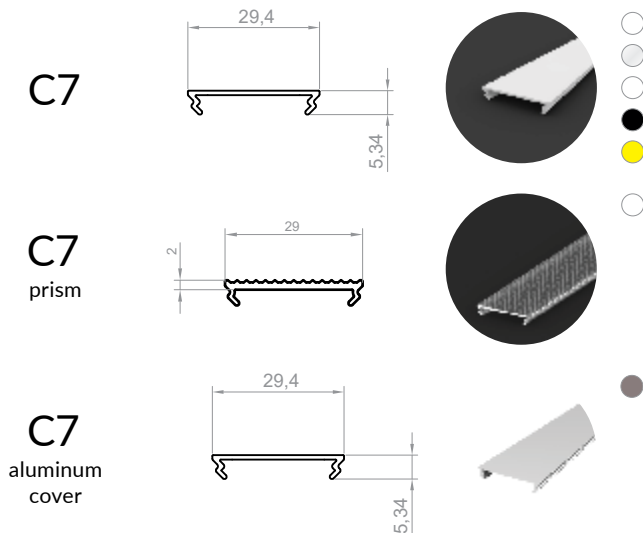
TECHNICAL DRAWING WITH DIMENSIONS



INSTALLATION INSTRUCTIONS



COVERS (CLICK-FIT)



END CAPS

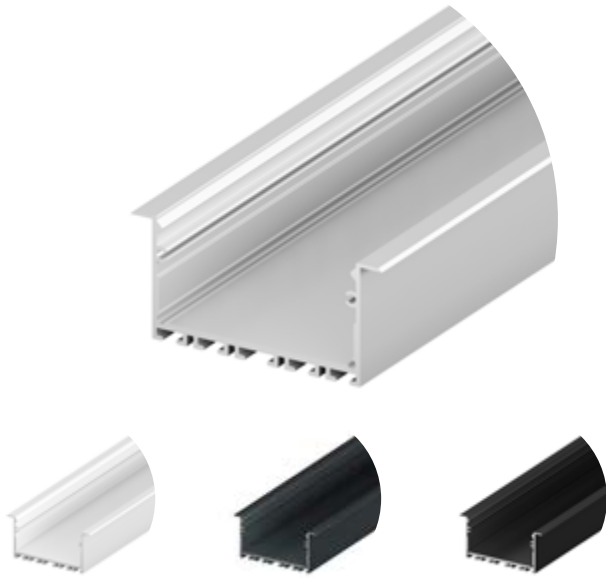


ACCESSORIES AND INSTALLATION



P22-10



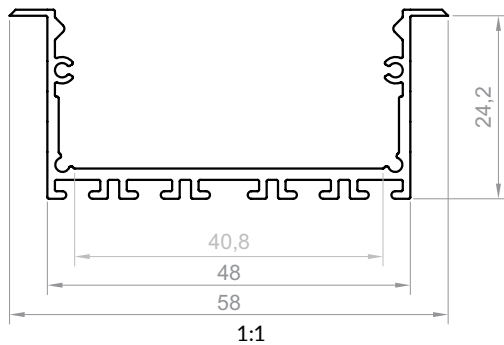


P23-1

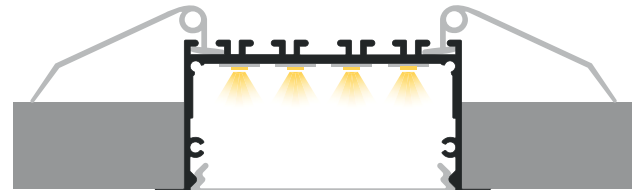
Product code: 8623102
EAN code: 5904996205126

PROFILE TYPE	LED TAPE WIDTH
architectural	up to 5x8 mm up to 4x10 mm up to 3x12 mm
COLOUR VERSIONS	LENGTH
silver anodised painted in white painted in black anthracite grey others - on demand	1000 mm 2000 mm 3000 mm 4000-6000 mm (on demand)

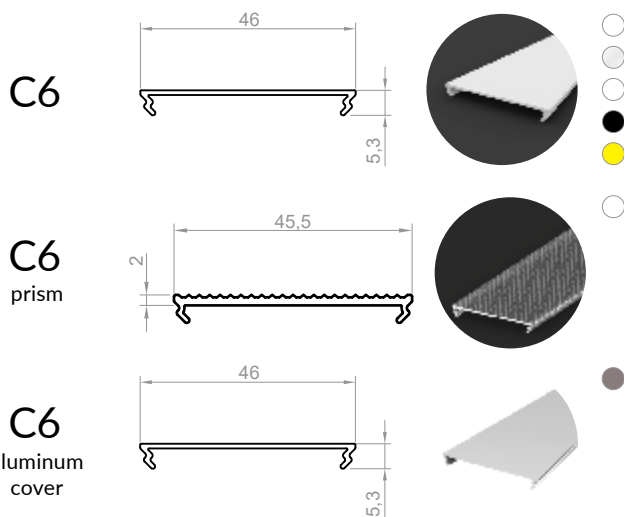
TECHNICAL DRAWING WITH DIMENSIONS



INSTALLATION INSTRUCTIONS



COVERS (CLICK-FIT)



END CAPS



aluminium end caps P23-1+C6 with screws (without hole)

ACCESSORIES AND INSTALLATION



surface extension profile

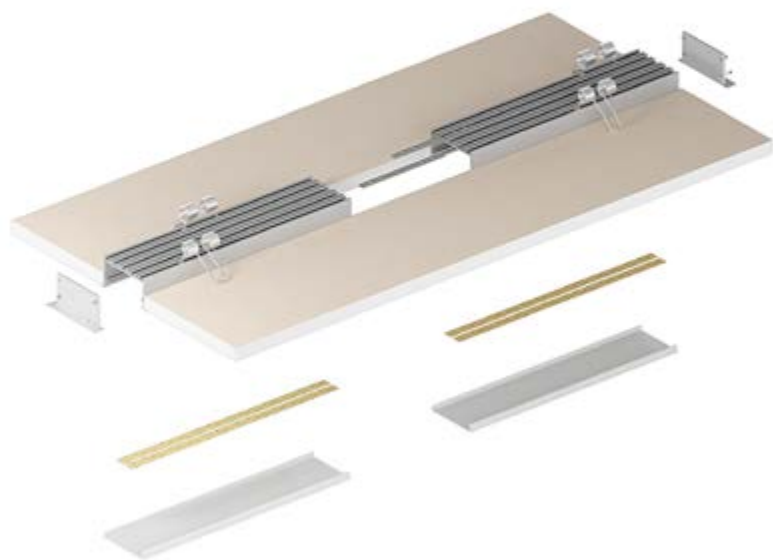
installation spring

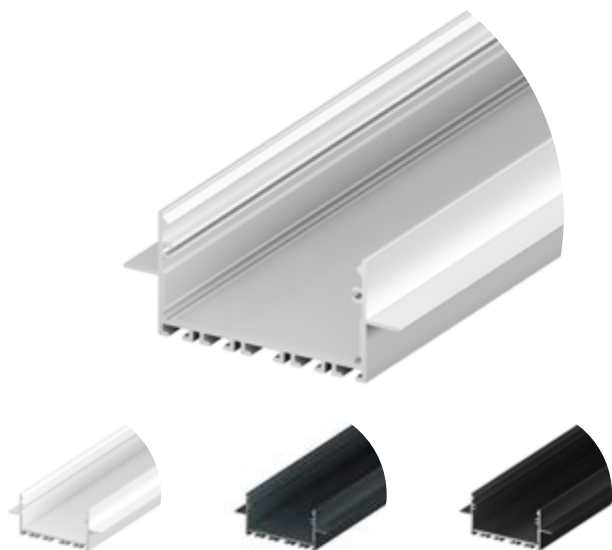
ACCESSORIES AND INSTALLATION



angle connector
straight, 45°, 60°, 90°, 120°, 135°

P23-1



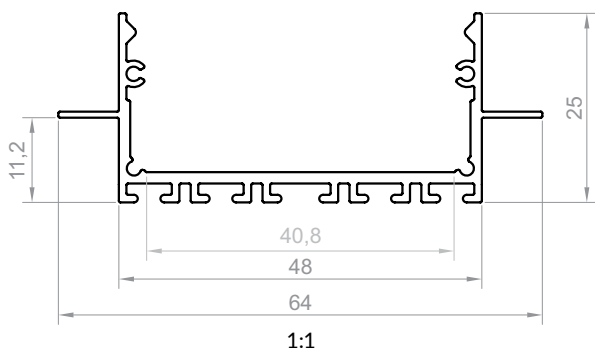


P23-2

Product code: 8623202
EAN code: 5904996205188

PROFILE TYPE	LED TAPE WIDTH
architectural	up to 5x8 mm up to 4x10 mm up to 3x12 mm
COLOUR VERSIONS	LENGTH
silver anodised painted in white painted in black anthracite grey others - on demand	1000 mm 2000 mm 3000 mm 4000-6000 mm (on demand)

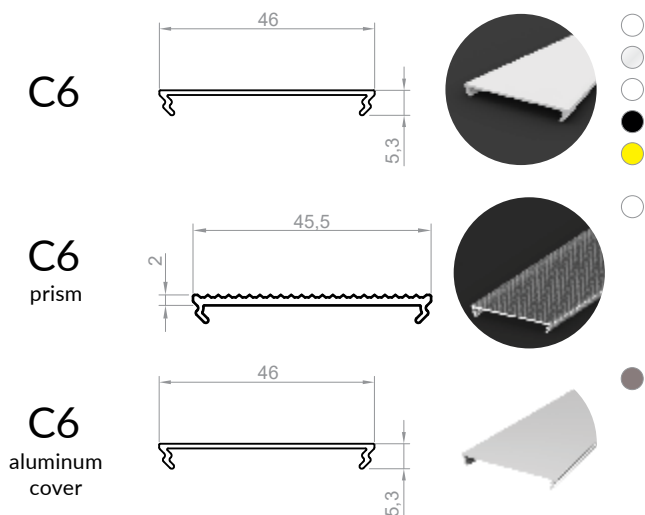
TECHNICAL DRAWING WITH DIMENSIONS



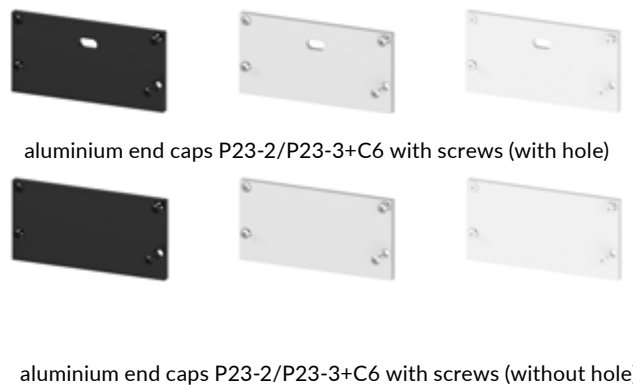
INSTALLATION INSTRUCTIONS



COVERS (CLICK-FIT)



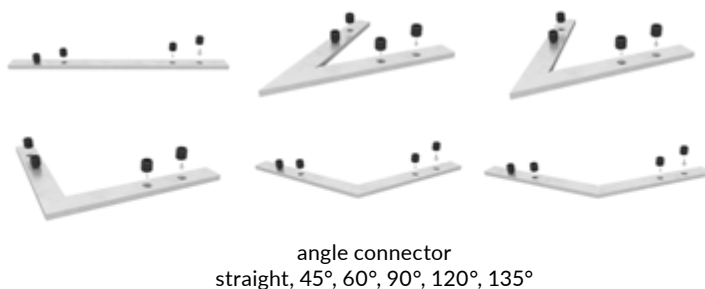
END CAPS



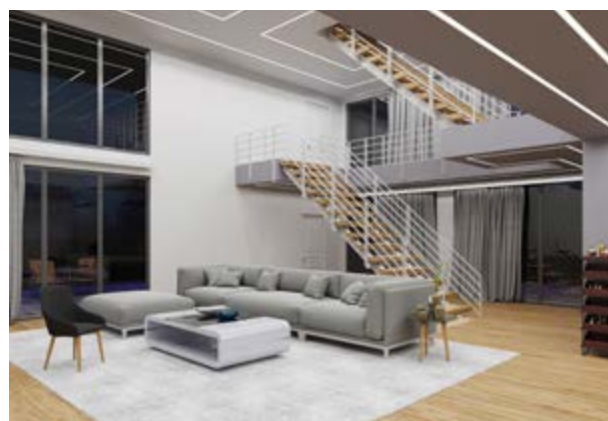
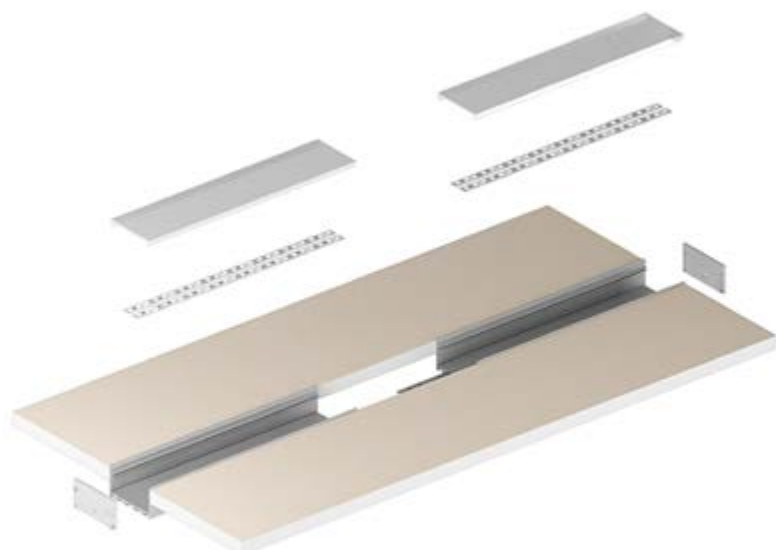
ACCESSORIES AND INSTALLATION

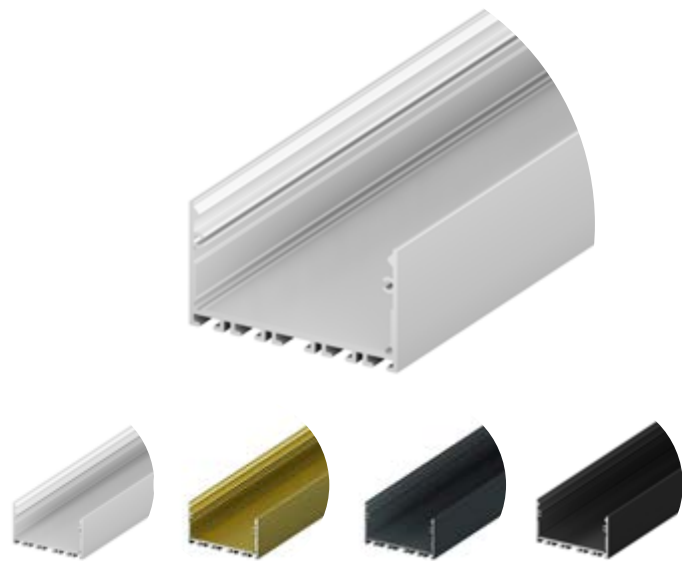


ACCESSORIES AND INSTALLATION



P23-2





P23-3

Product code: 8623302
EAN code: 5904996205256

PROFILE TYPE

architectural

LED TAPE WIDTH

up to 5x8 mm
up to 4x10 mm
up to 3x12 mm

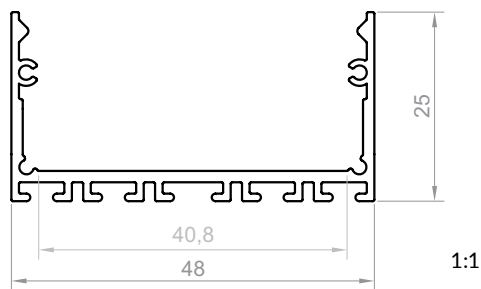
COLOUR VERSIONS

silver anodised
painted in white
painted in gold
painted in black
anthracite grey
others - on demand

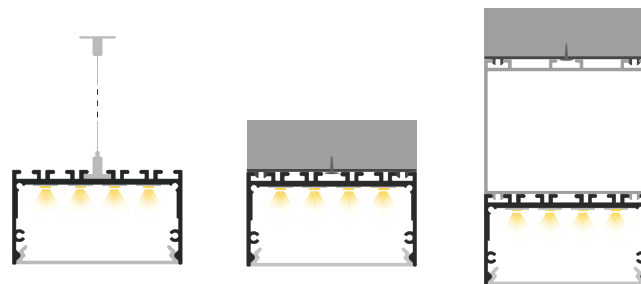
LENGTH

1000 mm
2000 mm
3000 mm
4000-6000 mm
(on demand)

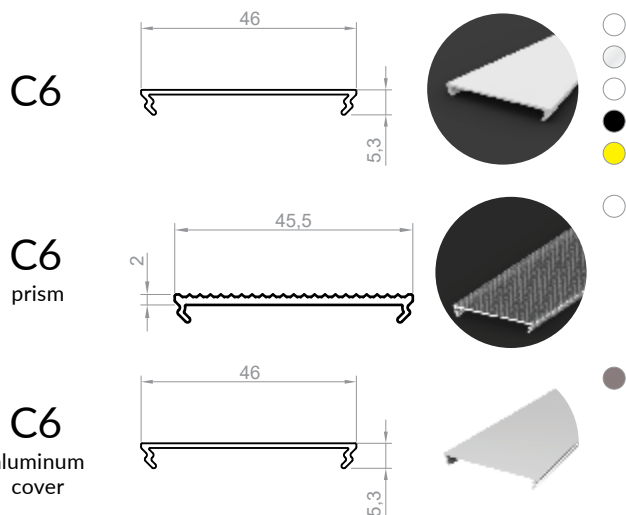
TECHNICAL DRAWING WITH DIMENSIONS



INSTALLATION INSTRUCTIONS



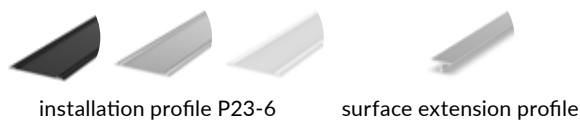
COVERS (CLICK-FIT)



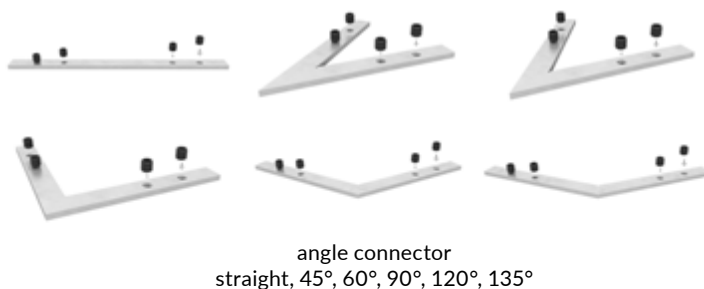
END CAPS



ACCESSORIES AND INSTALLATION



ACCESSORIES AND INSTALLATION



P23-3



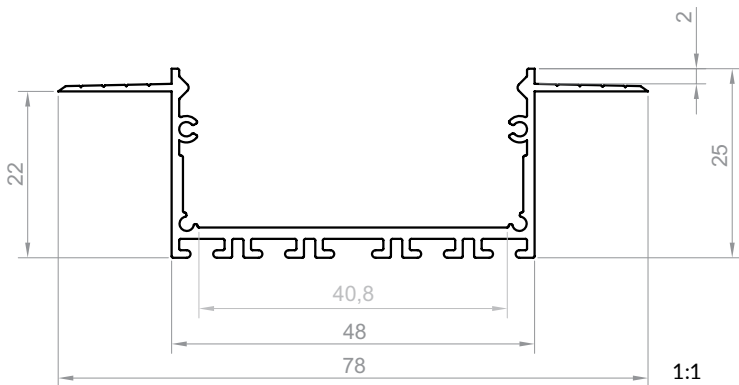


P23-7

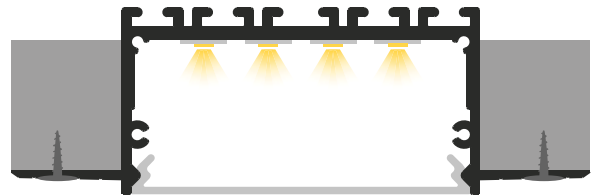
Product code: 8623702
EAN code: 5904996205409

PROFILE TYPE	LED TAPE WIDTH
architectural	up to 3x8 mm up to 2x12 mm
COLOUR VERSIONS	LENGTH
silver anodised painted in white painted in black anthracite grey others - on demand	1000 mm 2000 mm 3000 mm 4000-6000 mm (on demand)

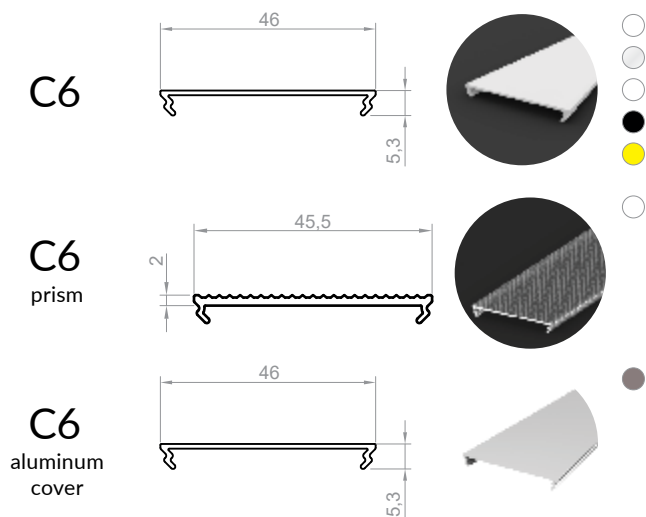
TECHNICAL DRAWING WITH DIMENSIONS



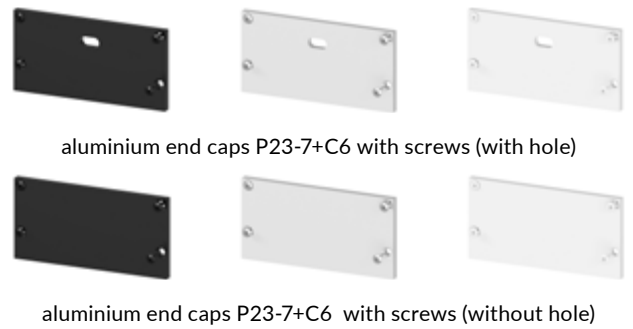
INSTALLATION INSTRUCTIONS



COVERS (CLICK-FIT)



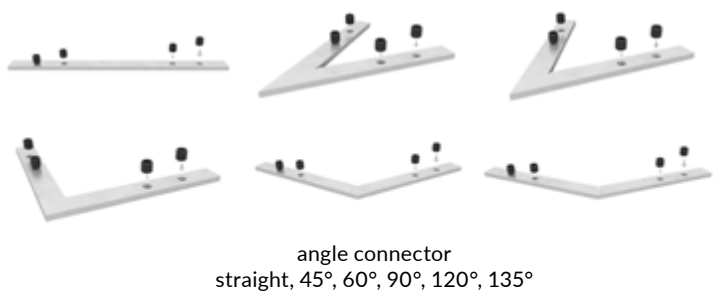
END CAPS



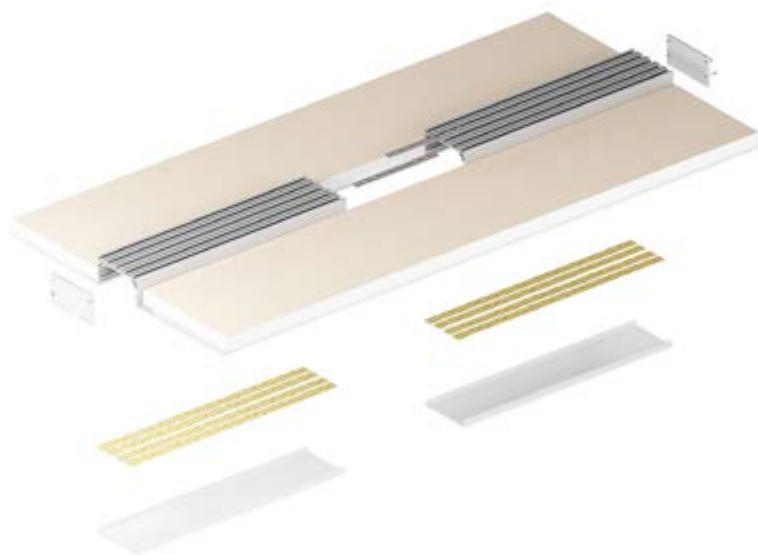
ACCESSORIES AND INSTALLATION

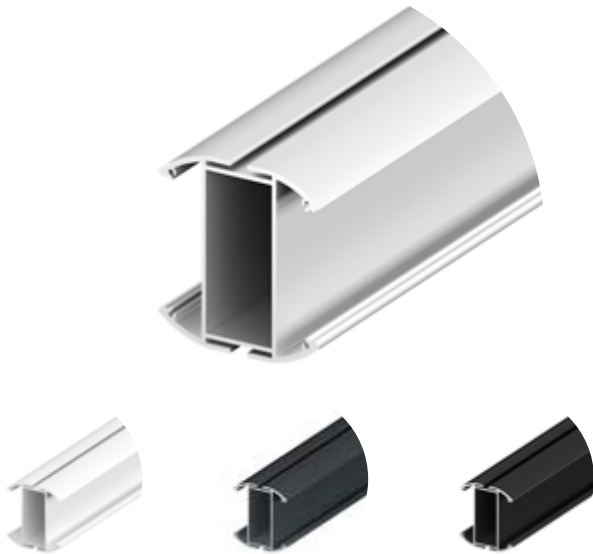


ACCESSORIES AND INSTALLATION



P23-7



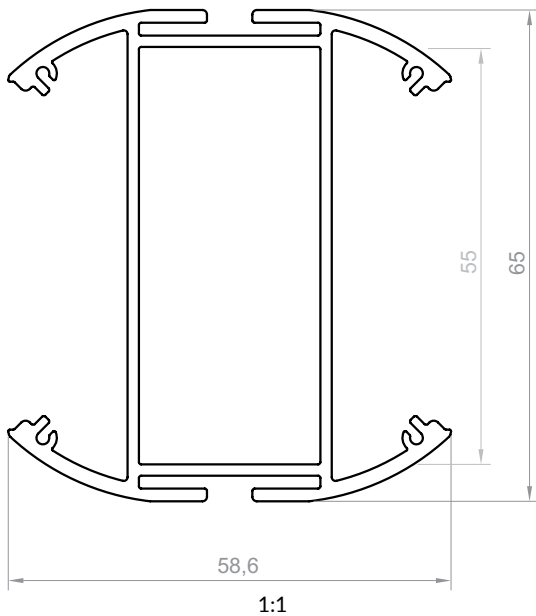


P23-8

Product code: 8623802
EAN code: 5904996211899

PROFILE TYPE	LED TAPE WIDTH
suspended	up to 12 mm
COLOUR VERSIONS	LENGTH
silver anodised painted in white painted in black anthracite grey others - on demand	1000 mm 2000 mm 3000 mm 4000-6000 mm (on demand)

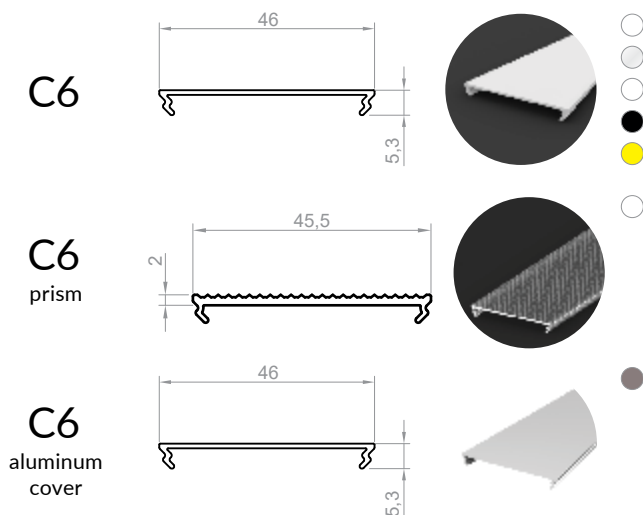
TECHNICAL DRAWING WITH DIMENSIONS



INSTALLATION INSTRUCTIONS



COVERS (CLICK-FIT)



END CAPS



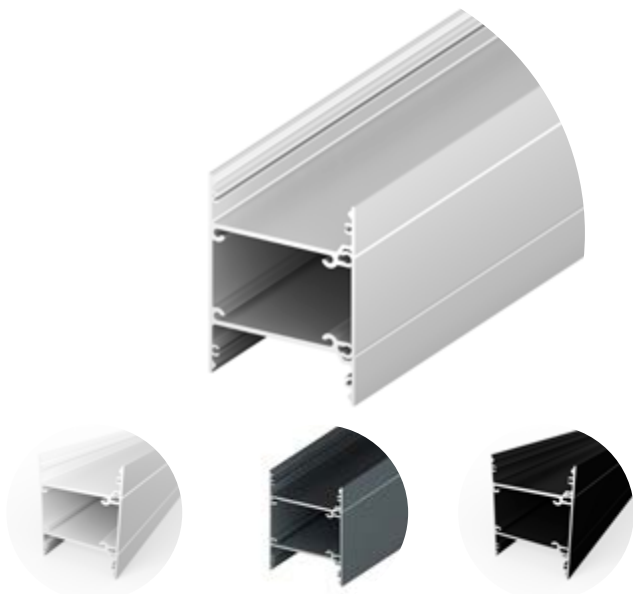
aluminium end caps P23-8+C6 with screws

INSTALLATION



P23-8



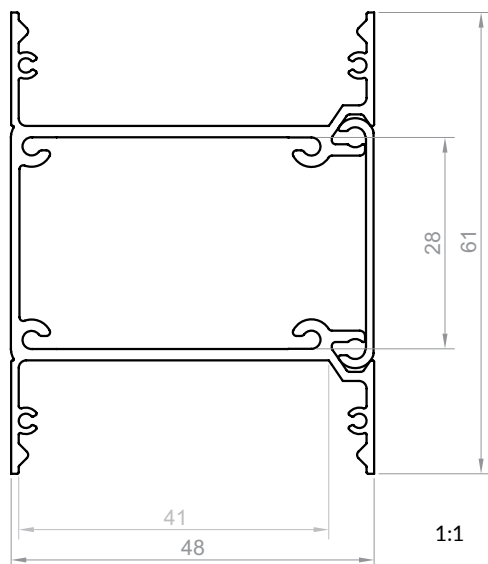


P23-10

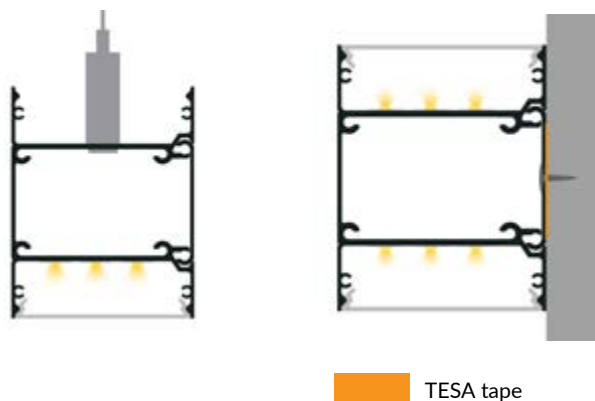
Product code: 86231002
EAN code: 5904996209087

PROFILE TYPE	LED TAPE WIDTH
architectural	up to 5x8 mm up to 4x10 mm up to 3x12 mm
COLOUR VERSIONS	LENGTH
silver anodised painted in white painted in black anthracite grey others - on demand	1000 mm 2000 mm 3000 mm 4000-6000 mm (on demand)

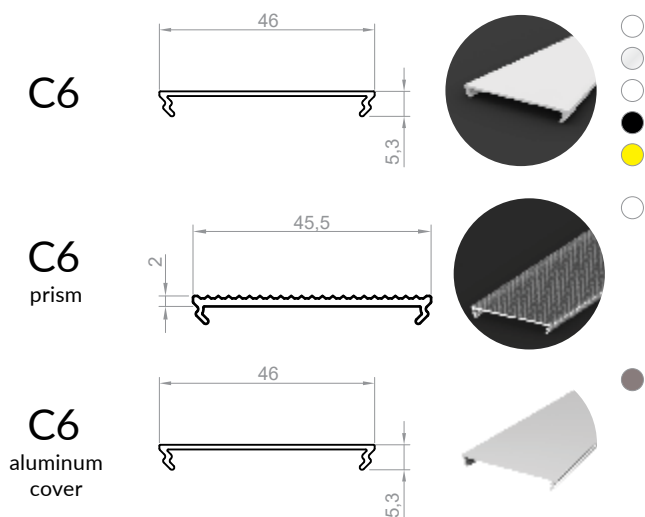
TECHNICAL DRAWING WITH DIMENSIONS



INSTALLATION INSTRUCTIONS



COVERS (CLICK-FIT)



END CAPS



aluminium end caps P23-10+C6 with screws (with hole)

aluminium end caps P23-10+C6 with screws (without hole)

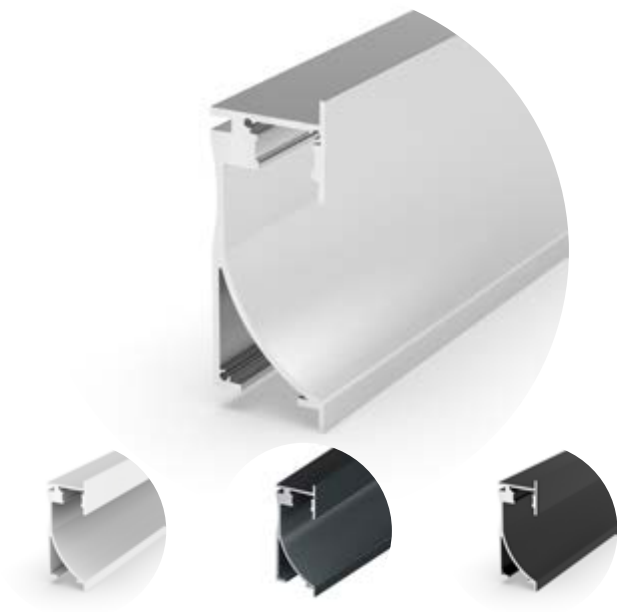
INSTALLATION



black silver white assembly tape
suspension cords

P23-10



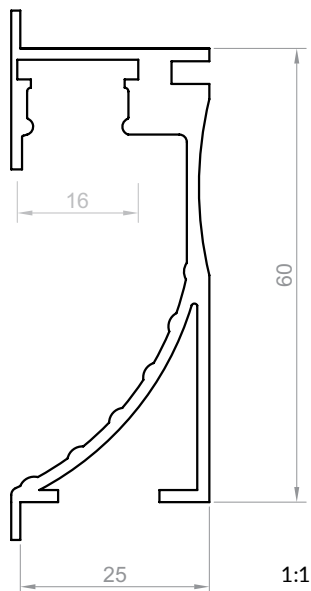


P26-1

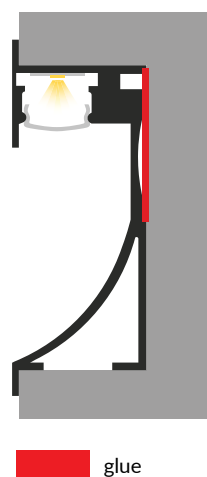
Product code: 8626102
EAN code: 5904996205744

PROFILE TYPE	LED TAPE WIDTH
architectural	up to 12 mm
COLOUR VERSIONS	LENGTH
silver anodised painted in white painted in black anthracite grey others - on demand	1000 mm 2000 mm 3000 mm 4000-6000 mm (on demand)

TECHNICAL DRAWING WITH DIMENSIONS



INSTALLATION INSTRUCTIONS



COVERS (CLICK-FIT)

C1

C4

C13

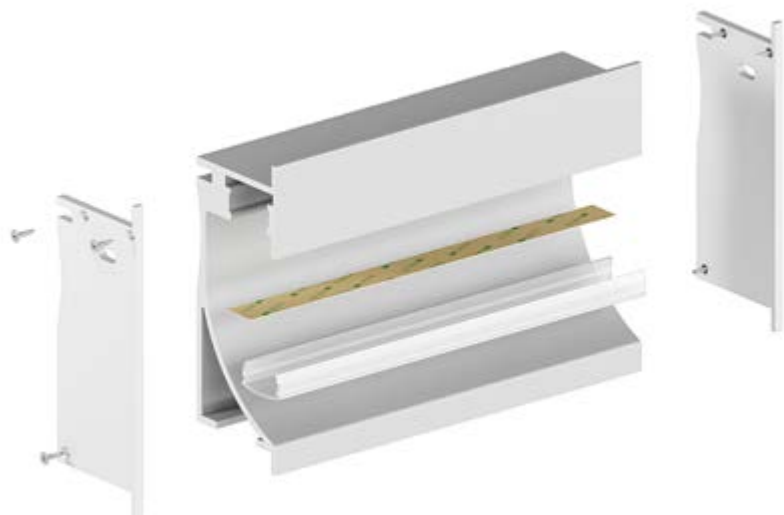
END CAPS

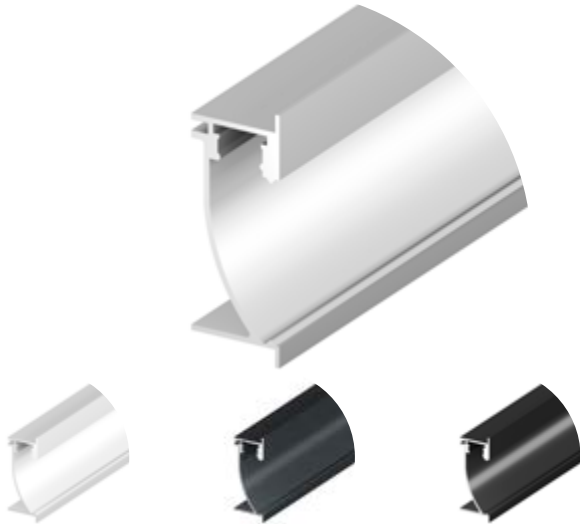


INSTALLATION



P26-1



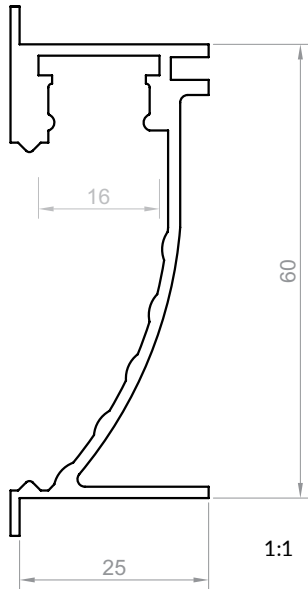


P26-2

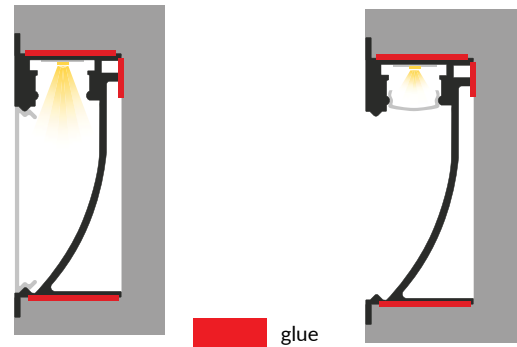
Product code: 8626202
EAN code: 5904996205805

PROFILE TYPE	LED TAPE WIDTH
architectural	up to 12 mm
COLOUR VERSIONS	LENGTH
silver anodised painted in white painted in black anthracite grey others - on demand	1000 mm 2000 mm 3000 mm 4000-6000 mm (on demand)

TECHNICAL DRAWING WITH DIMENSIONS



INSTALLATION INSTRUCTIONS



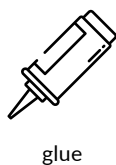
COVERS (CLICK-FIT)

C1		
C4		
C6		
C6 aluminum cover		
C13		

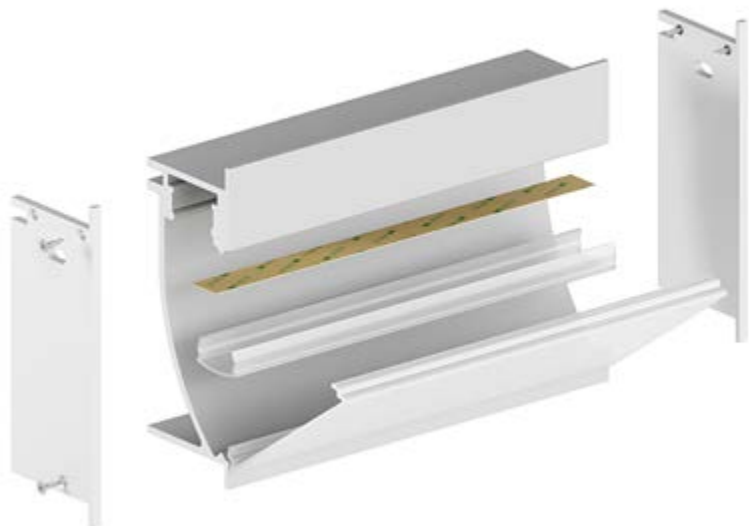
END CAPS

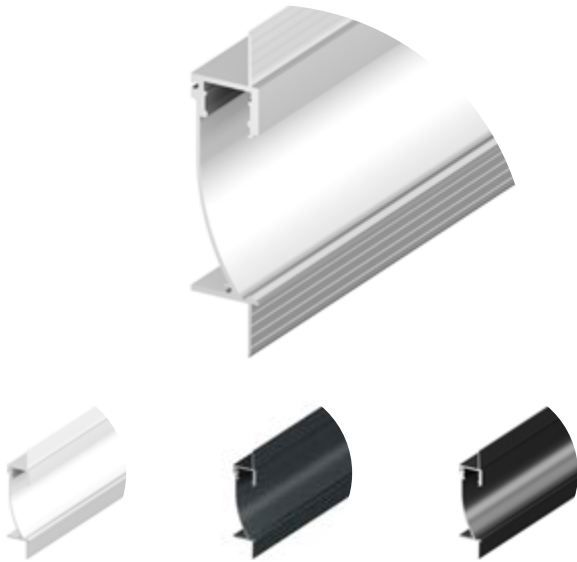


INSTALLATION



P26-2



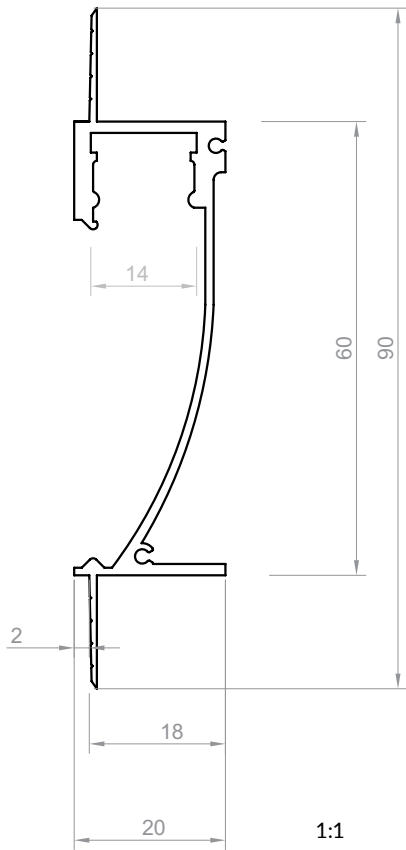


P26-3

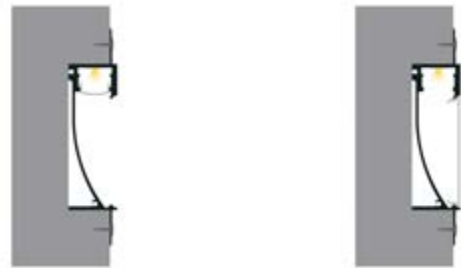
Product code: 8626302
EAN code: 5904996213237

PROFILE TYPE	LED TAPE WIDTH
architectural	up to 12 mm
COLOUR VERSIONS	LENGTH
silver anodised painted in white painted in black anthracite grey others - on demand	1000 mm 2000 mm 3000 mm 4000-6000 mm (on demand)

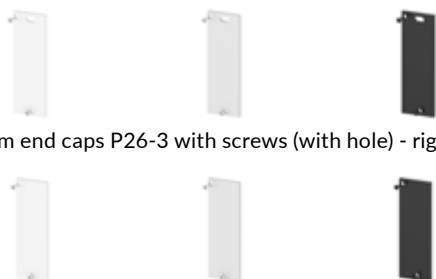
TECHNICAL DRAWING WITH DIMENSIONS



INSTALLATION INSTRUCTIONS



END CAPS



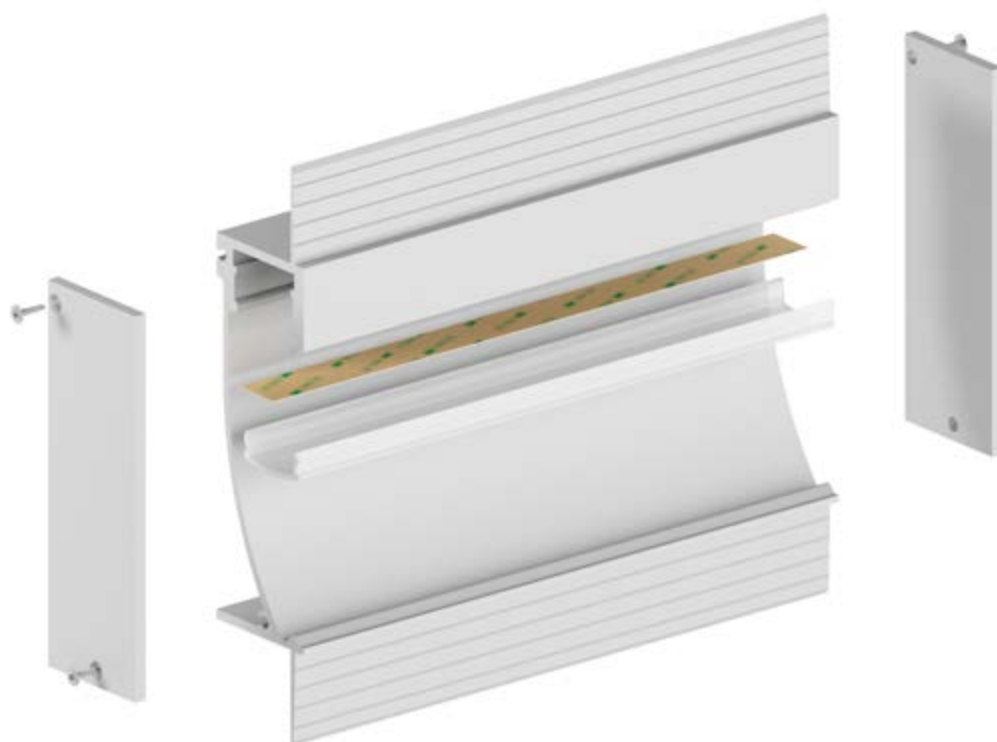
aluminium end caps P26-3 with screws (with hole) - right and left

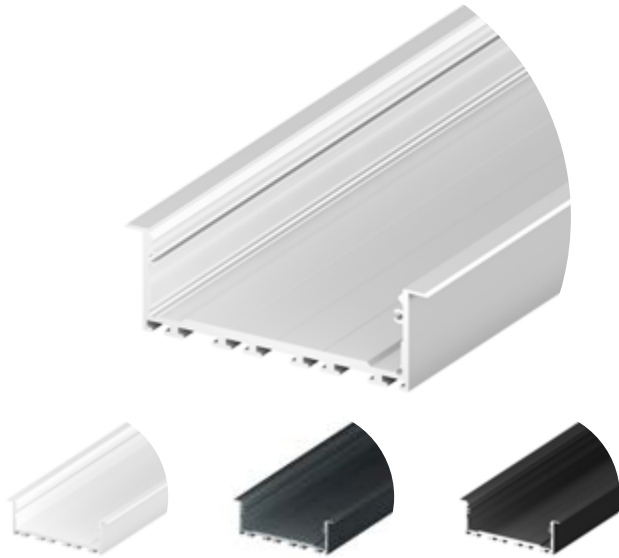
aluminium end caps P26-3 with screws (without hole) - right and left

COVERS (CLICK-FIT)

C1		
C4		
C6		
C6 aluminum cover		
C13		

P26-3





P27-1

Product code: 8627102

EAN code: 5904996205867

PROFILE TYPE

architectural

LED TAPE WIDTH

up to 6x8 mm
 up to 5x10 mm
 up to 4x12 mm

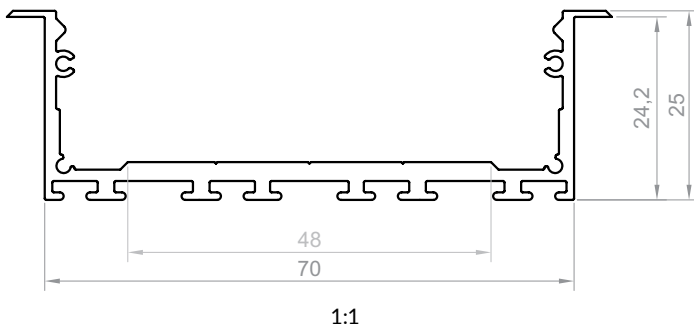
COLOUR VERSIONS

silver anodised
 painted in white
 painted in black
 anthracite grey
 others - on demand

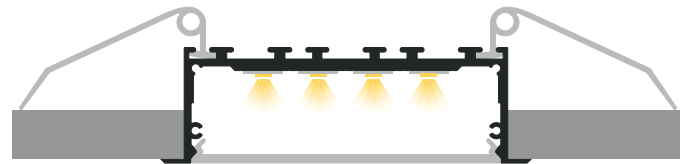
LENGTH

1000 mm
 2000 mm
 3000 mm
 4000-6000 mm
 (on demand)

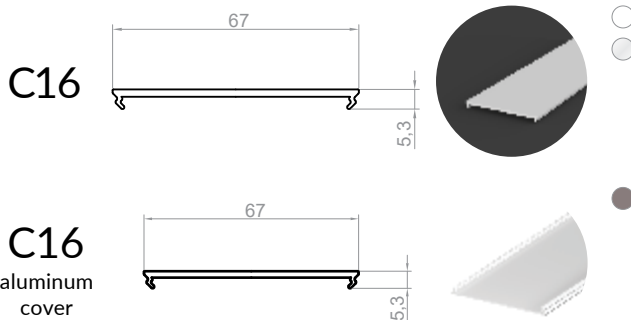
TECHNICAL DRAWING WITH DIMENSIONS



INSTALLATION INSTRUCTIONS



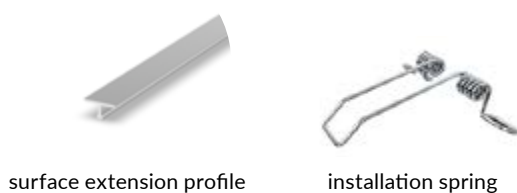
COVERS (CLICK-FIT)



END CAPS

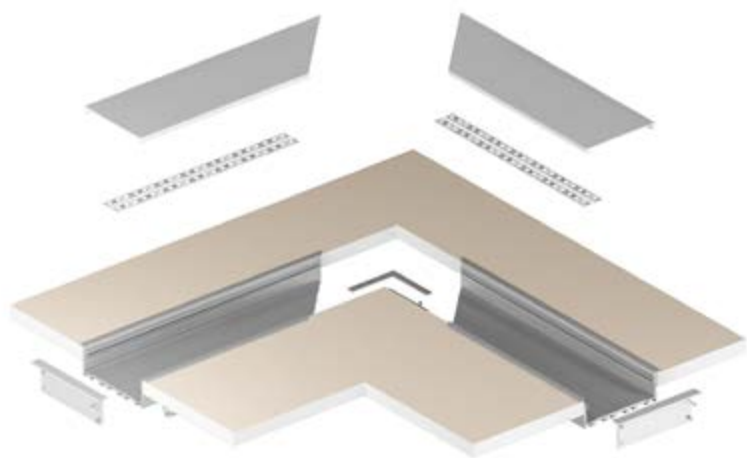


ACCESSORIES AND INSTALLATION



angle connector
 straight, 45°, 60°, 90°, 120°, 135°

P27-1



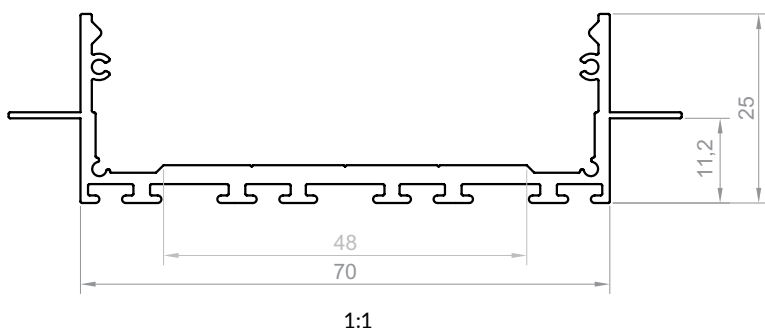


P27-2

Product code: 8627202
EAN code: 5904996205928

PROFILE TYPE	LED TAPE WIDTH
architectural	up to 6x8 mm up to 5x10 mm up to 4x12 mm
COLOUR VERSIONS	LENGTH
silver anodised painted in white painted in black anthracite grey others - on demand	1000 mm 2000 mm 3000 mm 4000-6000 mm (on demand)

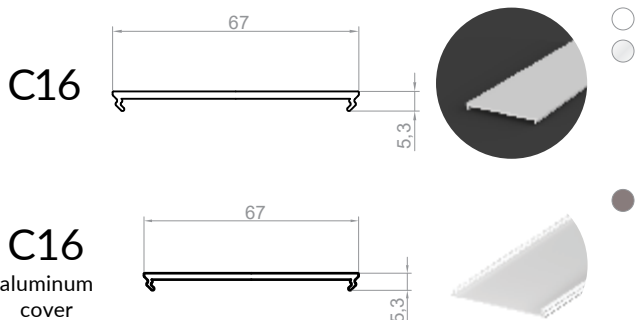
TECHNICAL DRAWING WITH DIMENSIONS



INSTALLATION INSTRUCTIONS



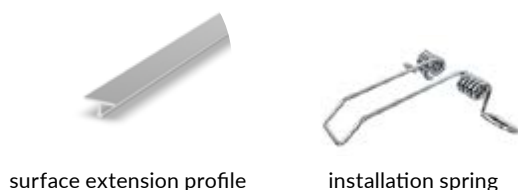
COVERS (CLICK-FIT)



END CAPS

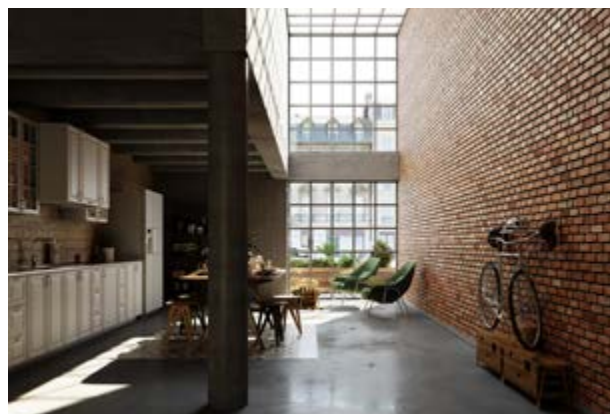
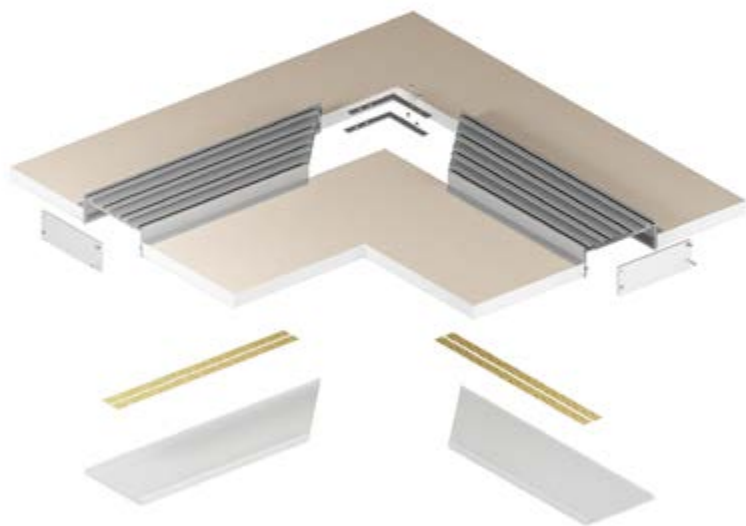


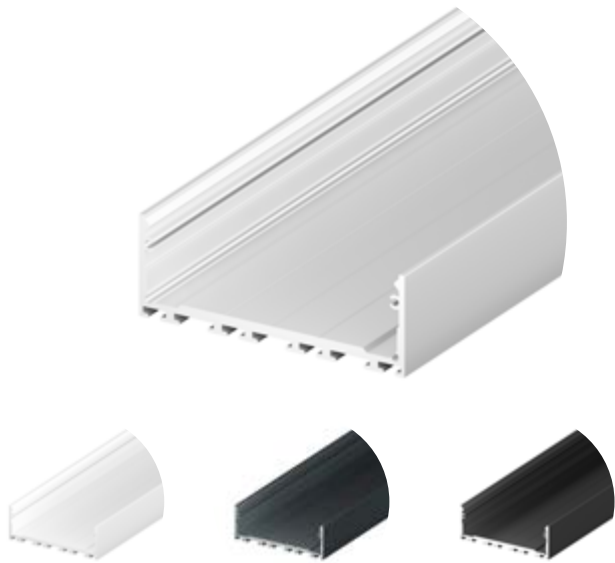
ACCESSORIES AND INSTALLATION



angle connector
straight, 45°, 60°, 90°, 120°, 135°

P27-2



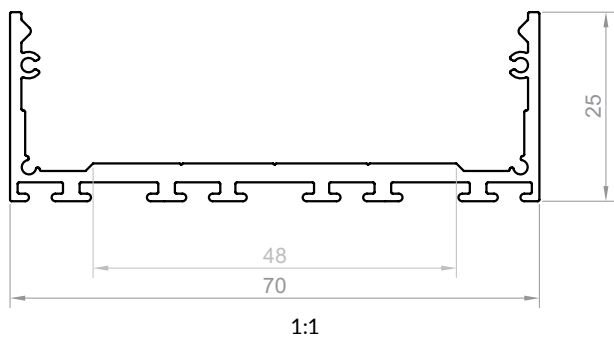


P27-3

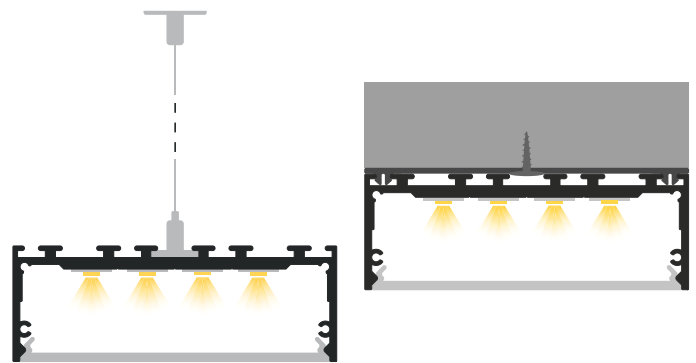
Product code: 8627302
EAN code: 5904996205980

PROFILE TYPE	LED TAPE WIDTH
architectural	up to 6x8 mm up to 5x10 mm up to 4x12 mm
COLOUR VERSIONS	LENGTH
silver anodised painted in white painted in black anthracite grey others - on demand	1000 mm 2000 mm 3000 mm 4000-6000 mm (on demand)

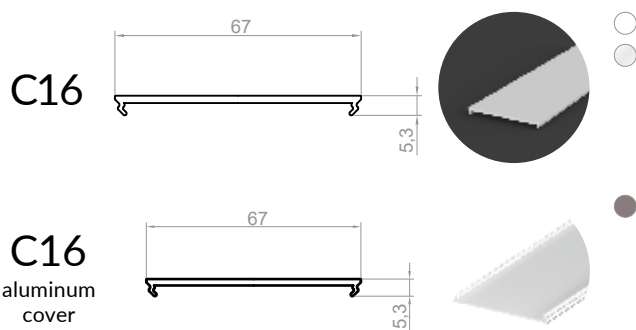
TECHNICAL DRAWING WITH DIMENSIONS



INSTALLATION INSTRUCTIONS



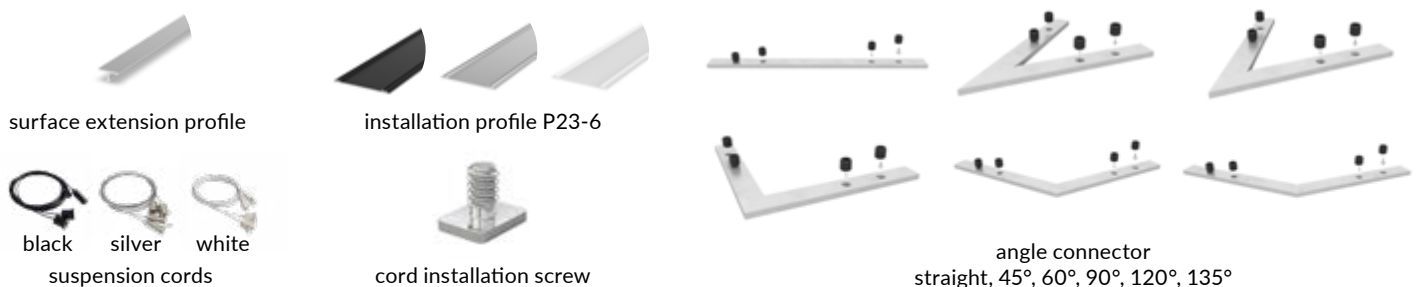
COVERS (CLICK-FIT)



END CAPS



ACCESSORIES AND INSTALLATION



P27-3





P27-7

Product code: 8627702

EAN code: 5904996209148

PROFILE TYPE

architectural

LED TAPE WIDTH

up to 6x8 mm
 up to 5x10 mm
 up to 4x12 mm

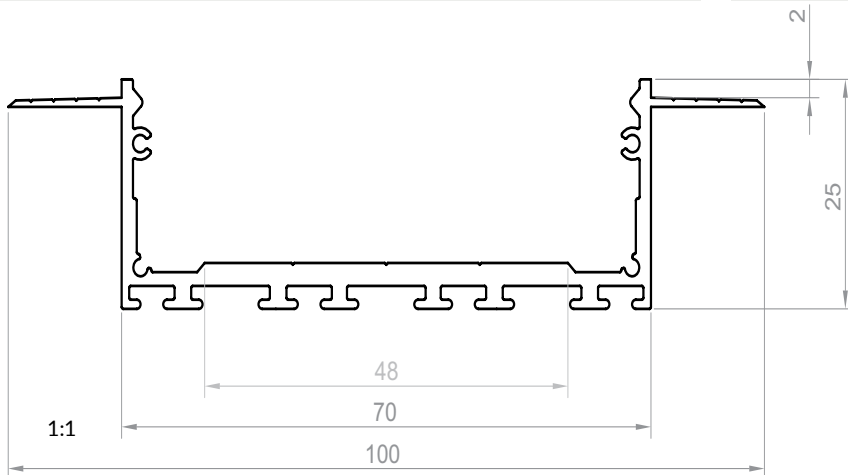
COLOUR VERSIONS

silver anodised
 painted in white
 painted in black
 anthracite grey
 others - on demand

LENGTH

1000 mm
 2000 mm
 3000 mm
 4000-6000 mm
 (on demand)

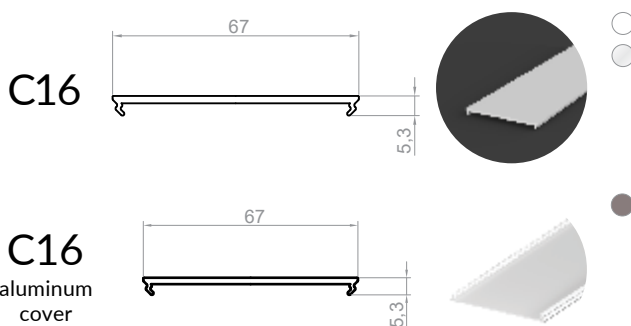
TECHNICAL DRAWING WITH DIMENSIONS



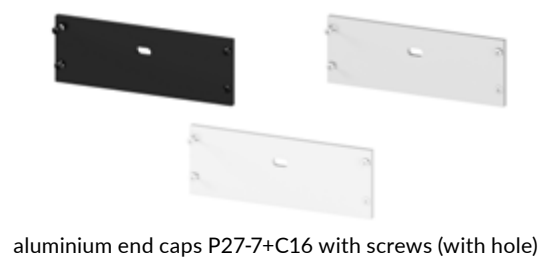
INSTALLATION INSTRUCTIONS



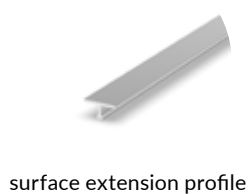
COVERS (CLICK-FIT)



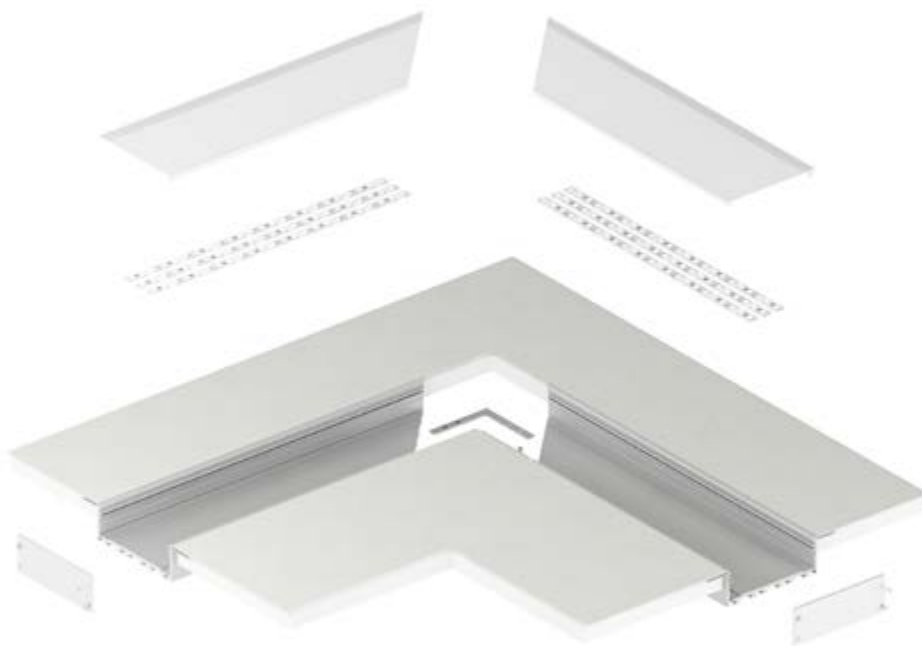
END CAPS



ACCESSORIES AND INSTALLATION



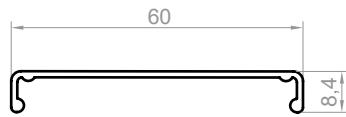
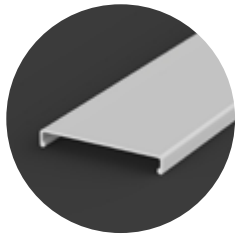
P27-7





COVERS

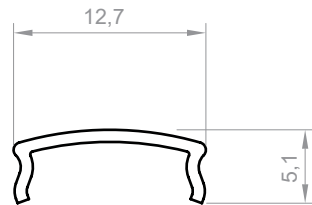


C0
 Product code: 760002
 EAN code: 5904996200251
**COLOUR - TRANSMITTANCE**
 Opal 70%
LENGTH

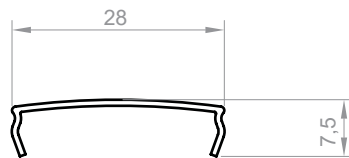
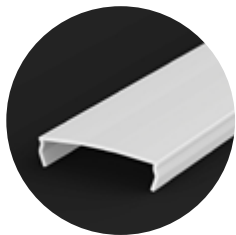
2000 mm

TO PROFILE:

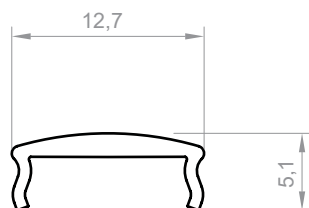
P1-1

C1
 Product code: 760102
 EAN code: 5904996200299
**COLOUR - TRANSMITTANCE**
 Transparent 98% 1000 mm
 Opal 70% 2000 mm
 Matt Opal 63% 3000 mm
 Black 38% 10 m (roll)
LENGTH**TO PROFILE:**

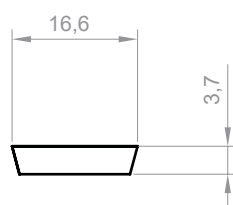
P2-1, P3-1, P3-4, P4-1, P4-3, P4-10, P5-1, P5-2, P5-10, P6-1, P6-2, P6-2.5, P6-3, P6-5, P7-1, P8-1, P10-1, P15-1, P16-1, P17-1, P17-2, P17-3, P17-4, P18-1, P18-2, P18-3, P19-1, P26-1, P26-2, P26-3, GK4-1, GK4-2, GK6-3, GK18-3, GK26-3

C2
 Product code: 760202
 EAN code: 5904996200428
**COLOUR - TRANSMITTANCE**
 Transparent 98% 1000 mm
 Opal 70% 2000 mm
 Black 38% 3000 mm
LENGTH**TO PROFILE:**

P13-1, P14-1

C4
 Product code: 760402
 EAN code: 5904996200510
**COLOUR - TRANSMITTANCE**
 Opal 70% 1000 mm
 2000 mm
 3000 mm
LENGTH**TO PROFILE:**

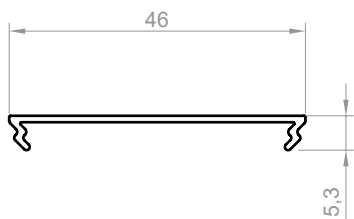
P2-1, P3-1, P3-4, P4-1, P4-3, P4-10, P5-1, P5-2, P5-10, P6-1, P6-2, P6-2.5, P6-3, P6-5, P7-1, P8-1, P10-1, P15-1, P16-1, P17-1, P17-2, P17-3, P17-4, P18-1, P18-2, P18-3, P19-1, P26-1, P26-2, P26-3, GK4-1, GK4-2, GK6-3, GK18-3, GK26-3

C5
 Product code: 760502
 EAN code: 5904996200558
**COLOUR - TRANSMITTANCE**
 Transparent 98% 1000 mm
 Opal 70% 2000 mm
 3000 mm
LENGTH**TO PROFILE:**

P11-1, P11-2, P11-3, P24-1

C6

Product code: 760602
EAN code: 5904996200619



COLOUR - TRANSMITTANCE

<input type="radio"/> Transparent	98%	1000 mm
<input type="radio"/> Opal	70%	2000 mm
<input type="radio"/> Matt Opal	63%	3000 mm
<input type="radio"/> Black	38%	10 m (roll)
<input type="radio"/> Montage	0%	
<input type="radio"/> Aluminium	0%	

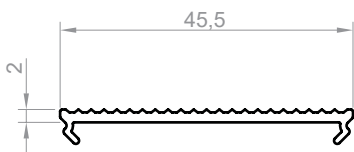
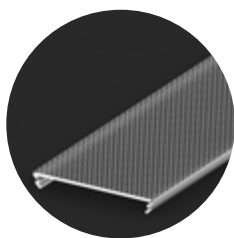
LENGTH

TO PROFILE:

P20-1, P21-1, P23-1, P23-2, P23-3, P23-7, P23-8, P23-10, P26-2, P26-3, GK23-7

C6 PRISM

Product code: 7606P04
EAN code: 5904996214869



COLOUR - TRANSMITTANCE

<input type="radio"/> Prism	UGR<19; 90,5%	1000 mm
		2000 mm
		3000 mm

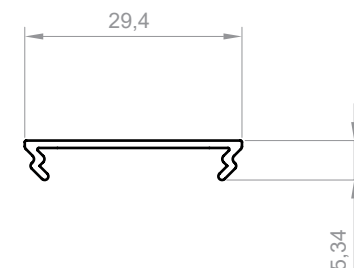
LENGTH

TO PROFILE:

P20-1, P21-1, P23-1, P23-2, P23-3, P23-7, P23-8, P23-10, P26-2, P26-3, GK23-7

C7

Product code: 760702
EAN code: 5904996200671



COLOUR - TRANSMITTANCE

<input type="radio"/> Transparent	98%	1000 mm
<input type="radio"/> Opal	70%	2000 mm
<input type="radio"/> Matt Opal	63%	3000 mm
<input type="radio"/> Black	38%	10 m (roll)
<input type="radio"/> Montage	0%	
<input type="radio"/> Aluminium	0%	

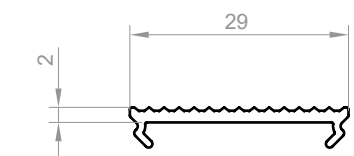
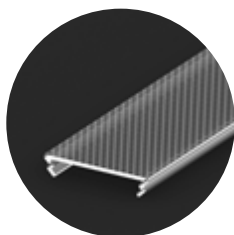
LENGTH

TO PROFILE:

P3-3, P22-1, P22-2, P22-3, P22-7, P22-8, P22-10, GK22-7

C7 PRISM

Product code: 7607P04
EAN code: 5904996214890



COLOUR - TRANSMITTANCE

<input type="radio"/> Prism	UGR<19; 90,5%	1000 mm
		2000 mm
		3000 mm

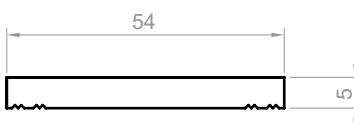
LENGTH

TO PROFILE:

P3-3, P22-1, P22-2, P22-3, P22-7, P22-8, P22-10, GK22-7

C8

Product code: 760802
EAN code: 5904996200732



COLOUR - TRANSMITTANCE

<input type="radio"/> Transparent	98%	1000 mm
<input type="radio"/> Opal	70%	2000 mm
		3000 mm

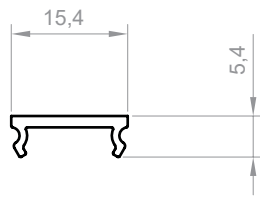
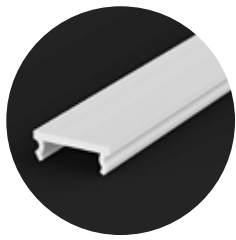
LENGTH

TO PROFILE:

P24-2

C9

Product code: 760902
EAN code: 5904996200770



COLOUR - TRANSMITTANCE

- Transparent 98%
- Opal 70%

LENGTH

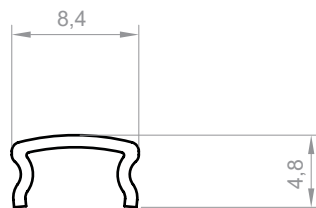
1000 mm
2000 mm
3000 mm

TO PROFILE:

P25-1, P25-2, P25-3

C10

Product code: 761002
EAN code: 5904996200824



COLOUR - TRANSMITTANCE

- Transparent 98%
- Opal 70%
- Black 38%

LENGTH

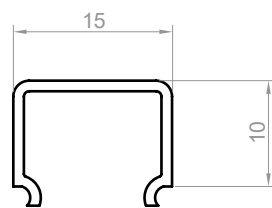
1000 mm
2000 mm
3000 mm
10 m (roll)

TO PROFILE:

P4-2

C11

Product code: 761102
EAN code: 5904996200886



COLOUR - TRANSMITTANCE

- Transparent 98%
- Opal 70%
- Matt Opal 63%
- Black 38%

LENGTH

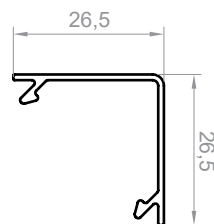
1000 mm
2000 mm
3000 mm

TO PROFILE:

P2-1, P3-1, P3-4, P4-1, P4-3, P4-10, P5-1, P5-2, P5-10, P6-1, P6-2, P6-2.5, P6-3, P6-5, P7-1, P8-1, P18-2, P18-3, GK6-3, GK18-3

C12

Product code: 761202
EAN code: 5904996200923



COLOUR - TRANSMITTANCE

- Opal 70%

LENGTH

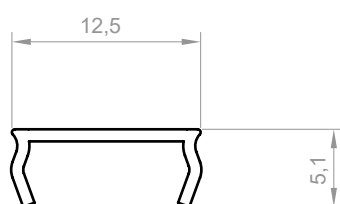
1000 mm
2000 mm

TO PROFILE:

P12-1

C13

Product code: 761302
EAN code: 5904996200947



COLOUR - TRANSMITTANCE

- Transparent 98%
- Opal 70%
- Matt Opal 63%
- Black 38%
- Montage 0%

LENGTH

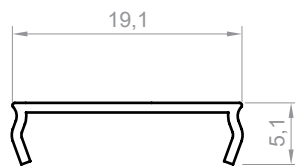
1000 mm
2000 mm
3000 mm
10 m (roll)

TO PROFILE:

P2-1, P3-1, P3-4, P4-1, P4-3, P4-10, P5-1, P5-2, P5-10, P6-1, P6-2, P6-2.5, P6-3, P6-5, P7-1, P8-1, P10-1, P15-1, P16-1, P17-1, P17-2, P17-3, P17-4, P18-1, P18-2, P18-3, P19-1, P26-1, P26-2, P26-3, GK4-1, GK4-2, GK6-3, GK18-3, GK26-3

C15

Product code: 761502
 EAN code: 5904996201012



COLOUR - TRANSMITTANCE

<input type="radio"/> Transparent	98%	1000 mm
<input type="radio"/> Opal	70%	2000 mm
<input type="radio"/> Matt Opal	63%	3000 mm
<input type="radio"/> Black	38%	10 m (roll)
<input type="radio"/> Montage	0%	

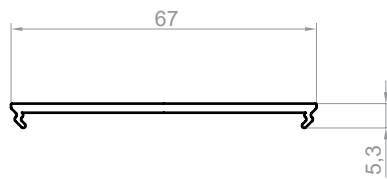
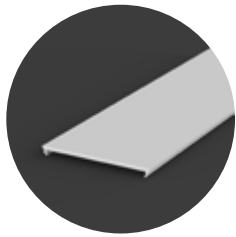
LENGTH

TO PROFILE:

P13-2, P13-10, P14-2, P14-3, GK4-3, GK14-3

C16

Product code: 761602
 EAN code: 5904996201074



COLOUR - TRANSMITTANCE

<input type="radio"/> Transparent	98%	1000 mm
<input type="radio"/> Opal	70%	2000 mm
<input type="radio"/> Aluminium	0%	3000 mm

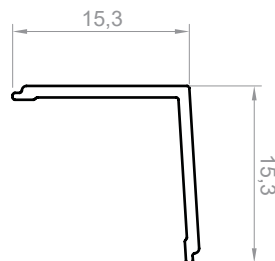
LENGTH

TO PROFILE:

P27-1, P27-2, P27-3, P27-7, GK27-7

C17

Product code: 761702
 EAN code: 5904996201111



COLOUR - TRANSMITTANCE

<input type="radio"/> Opal	70%	1000 mm
		2000 mm
		3000 mm

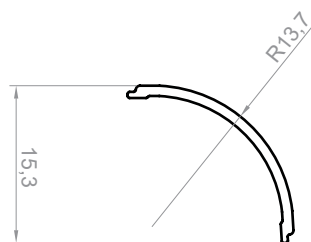
LENGTH

TO PROFILE:

P3-2, P3-6

C18

Product code: 761802
 EAN code: 5904996201142



COLOUR - TRANSMITTANCE

<input type="radio"/> Opal	70%	1000 mm
		2000 mm
		3000 mm

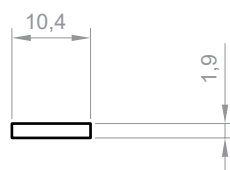
LENGTH

TO PROFILE:

P3-2, P3-6

C19

Product code: 761902
 EAN code: 5904996208714



COLOUR - TRANSMITTANCE

<input type="radio"/> Opal	70%	1000 mm
		2000 mm

LENGTH

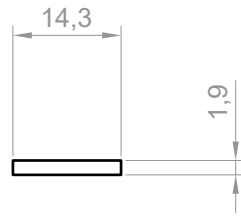
TO PROFILE:

P10-4

C20



Product code: 762002
EAN code: 5904996208738



COLOUR - TRANSMITTANCE

Opal 70%

LENGTH

1000 mm
2000 mm

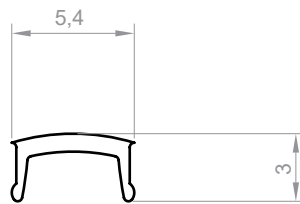
TO PROFILE:

P10-3

C21



Product code: 762102
EAN code: 5904996209599



COLOUR - TRANSMITTANCE

Transparent 98%
 Opal 70%

LENGTH

1000 mm
2000 mm
3000 mm

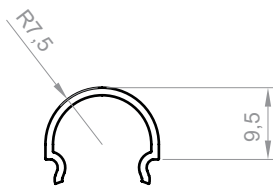
TO PROFILE:

P3-5, P4-4, P6-4

C22



Product code: 762202
EAN code: 5904996210441



COLOUR - TRANSMITTANCE

Transparent 98%
 Opal 70%
 Matt Opal 63%

LENGTH

1000 mm
2000 mm
3000 mm

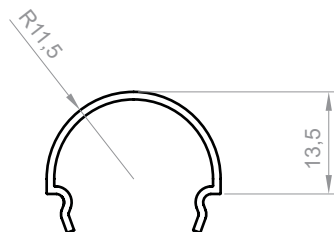
TO PROFILE:

P2-1, P3-1, P3-4, P4-1, P4-3, P4-10, P5-1, P5-2, P5-10, P6-1, P6-2, P6-2.5, P6-3, P6-5, P7-1, P8-1, P18-2, P18-3, GK6-3, GK18-3

C23



Product code: 762302
EAN code: 5904996210458



COLOUR - TRANSMITTANCE

Transparent 98%
 Opal 70%
 Matt Opal 63%

LENGTH

1000 mm
2000 mm
3000 mm

TO PROFILE:

P13-2, P13-10, P14-2, P14-3, GK14-3

STANDARD

	C0	C1	C2	C4	C5	C6	C7	C8	C9	C10	C11	C12	C13	C15	C16	C17	C18	C19	C20	C21	C22	C23		
P2-1		■		■							■		■									■		
P3-1		■		■							■		■										■	
P3-2																■	■							
P3-3							■																	
P3-4		■		■							■		■										■	
P3-5																				■				
P3-6																■	■							
P4-1		■		■							■		■										■	
P4-2										■														
P4-3		■		■							■		■										■	
P4-4																				■				
P4-10		■		■							■		■										■	
P5-1		■		■							■		■										■	
P5-2		■		■							■		■										■	
P5-10		■		■							■		■										■	
P6-1		■		■							■		■										■	
P6-2		■		■							■		■										■	
P6-2.5		■		■							■		■										■	
P6-3		■		■							■		■										■	
P6-4																				■				
P6-5		■		■							■		■										■	
P7-1		■		■							■		■										■	
P8-1		■		■							■		■										■	
P9-1																								
P10-1		■		■									■											
P10-3																				■				
P10-4																			■					
P10-6																								
P10-8																								
P10-10																								
P12-1												■												
P13-1			■																					

■ available end caps ■ without end caps

STANDARD

	C0	C1	C2	C4	C5	C6	C7	C8	C9	C10	C11	C12	C13	C15	C16	C17	C18	C19	C20	C21	C22	C23	
P13-2														■								■	
P13-10														■									■
P14-1			■																				
P14-2														■									■
P14-3														■									■
P15-1		■		■									■										
P16-1		■		■									■										
P17-1		■		■									■										
P17-2		■		■									■										
P17-3		■		■									■										
P17-4		■		■									■										
P18-1		■		■									■										
P18-2		■		■							■		■									■	
P18-3		■		■							■		■									■	
P19-1		■		■									■										
P25-1									■														
P25-2									■														
P25-3									■														

PLASTER-IN

	C0	C1	C2	C4	C5	C6	C7	C8	C9	C10	C11	C12	C13	C15	C16	C17	C18	C19	C20	C21	C22	C23	
GK4-1		■		■									■										
GK4-2		■		■									■										
GK4-3														■									
GK6-3		■		■							■		■									■	
GK14-3														■									■
GK18-3		■		■							■		■									■	
GK22-7							■																
GK23-7						■																	
GK26-3		■		■									■										
GK27-7															■								

■ available end caps ■ without end caps

WATERPROOF

	C0	C1	C2	C4	C5	C6	C7	C8	C9	C10	C11	C12	C13	C15	C16	C17	C18	C19	C20	C21	C22	C23
P11-1					■																	
P11-2					■																	
P11-3					■																	
P24-1					■																	
P24-2								■														

ARCHITECTURAL

	C0	C1	C2	C4	C5	C6	C7	C8	C9	C10	C11	C12	C13	C15	C16	C17	C18	C19	C20	C21	C22	C23
P1-1	■																					
P20-1						■																
P21-1						■																
P22-1							■															
P22-2							■															
P22-3							■															
P22-7							■															
P22-8							■															
P22-10							■															
P23-1						■																
P23-2						■																
P23-3						■																
P23-7						■																
P23-8						■																
P23-10						■																
P26-1		■		■									■									
P26-2		■		■		■							■									
P26-3		■		■		■							■									
P27-1															■							
P27-2															■							
P27-3															■							
P27-7															■							

■ available end caps ■ without end caps



Premium solutions
at **Your** fingertips



PROFILE CHARACTERISTICS

Tech Light aluminium profiles comply with the RoHS Directive 2011/65/EU as amended by (EU) 2015/863.

ALUMINIUM TESTED FOR:

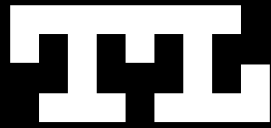
TESTED ITEM	RESULT	MDL	LIMIT
Lead (Pb)	N.D.	2 mg/kg	1000mg/kg
Cadmium (Cd)	N.D.	2 mg/kg	1000mg/kg
Mercury (Hg)	N.D.	2 mg/kg	1000mg/kg
Hexavalent Chromium (Cr(VI))	N.D.	0.10 ug/cm2 (LOQ)	1000mg/kg

COMMENTS:

- MDL = METHOD DETECTION LIMIT (DETECTION LIMIT OF THE METHOD)
- N.D. = NOT DETECTED (NOT DETECTED)
- 1000 MG/KG = 0.1%

TOLERANCES

Length tolerance according to ISO 2768-9.
Products (profiles and covers) made with positive tolerance.



TECH[®]
LIGHT





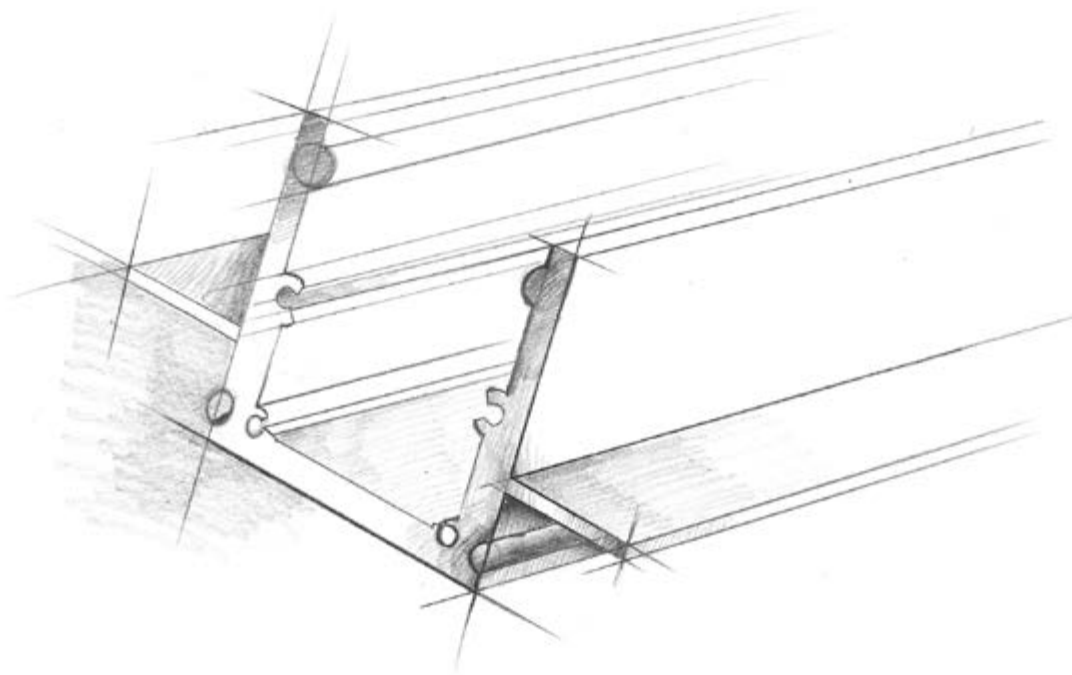
Premium solutions
at **Your** fingertips







TECH[®]
LIGHT



Premium solutions at **Your** fingertips



HQ

Nowogrodzka 31
00-511 Warszawa

OFFICE

Kresowa 14
05-462 Duchnów

+48 22 602 22 31
+48 22 266 22 51

www.tech-light.com.pl
info@tech-light.com.pl

